

Radius Scupper

Custom Order Form

Chose Dimensions QTY: _____

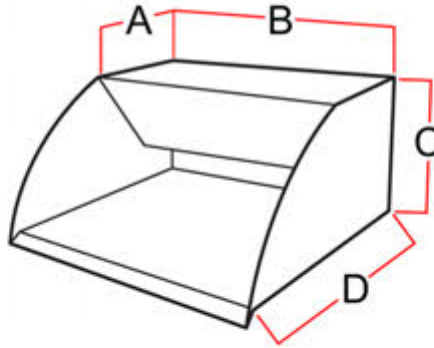
A. _____
B. _____
C. _____
D. _____

Material:

- Copper Stainless Steel
 Patina Copper Brass

Inlet Location:

- Back Inlet (Standard) Bottom Inlet



Straight Scupper

Custom Order Form

Chose Dimensions QTY: _____

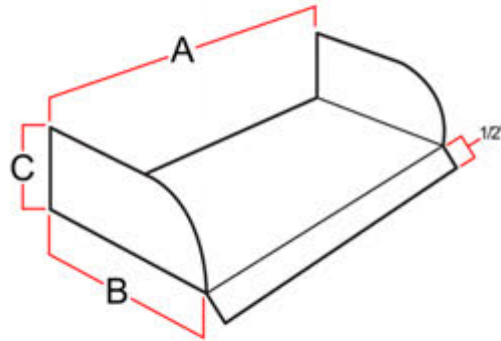
A. _____
B. _____
C. _____
D. _____

Material:

- Copper Stainless Steel
 Patina Copper Brass

Inlet Location:

- Back Inlet (Standard) Bottom Inlet



Smooth Flow Radius Scupper

Custom Order Form

Chose Dimensions QTY: _____

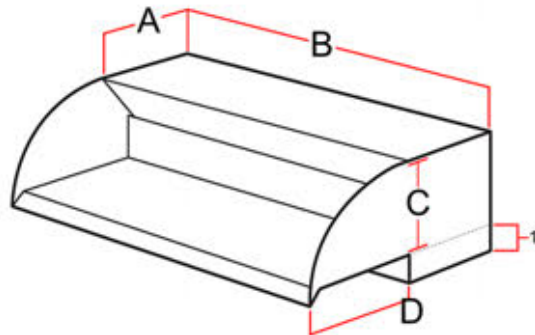
A. _____
B. _____
C. _____
D. _____

Material:

- Copper Stainless Steel
 Patina Copper Brass

Inlet Location:

- Back Inlet (Standard) Bottom Inlet



Smooth Flow Scupper

Custom Order Form

Chose Dimensions QTY: _____

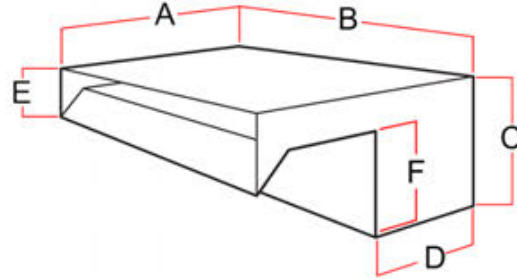
A. _____ E. _____
B. _____ F. _____
C. _____
D. _____

Material:

- Copper Stainless Steel
 Patina Copper Brass

Inlet Location:

- Back Inlet (Standard) Bottom Inlet



U-Shapped Scupper

Custom Order Form

Chose Dimensions QTY: _____

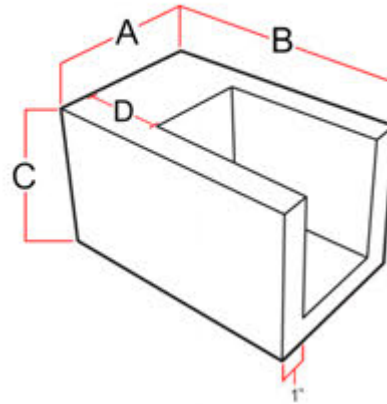
A. _____
B. _____
C. _____
D. _____

Material:

- Copper Stainless Steel
 Patina Copper Brass

Inlet Location:

- Back Inlet (Standard) Bottom Inlet



Cannon Scupper

Custom Order Form

Chose Dimensions QTY: _____

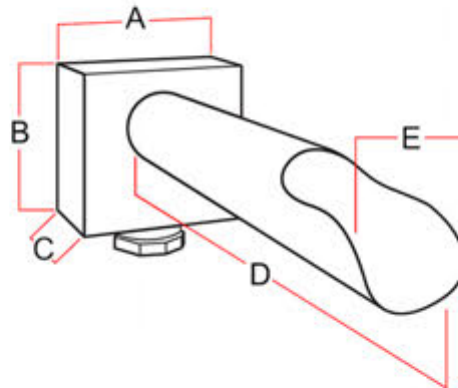
A. _____ E. _____
B. _____
C. _____
D. _____

Material:

- Copper Stainless Steel
 Patina Copper Brass

Inlet Location:

- Back Inlet (Standard) Bottom Inlet



Box Scupper
Custom Order Form

Chose Dimensions QTY: _____

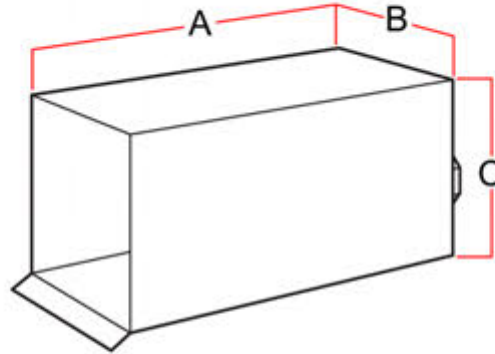
A. _____
B. _____
C. _____

Material:

- Copper Stainless Steel
 Patina Copper Brass

Inlet Location:

- Back Inlet (Standard) Bottom Inlet



V-Shapped Scupper
Custom Order Form

Chose Dimensions QTY: _____

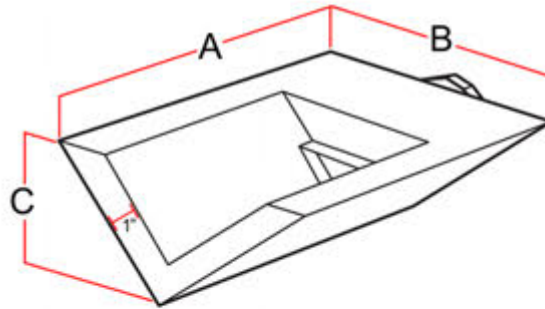
A. _____
B. _____
C. _____

Material:

- Copper Stainless Steel
 Patina Copper Brass

Inlet Location:

- Back Inlet (Standard) Bottom Inlet



Arch Flow Scupper
Custom Order Form

Chose Dimensions QTY: _____

A. _____
B. _____
C. _____

Material:

- Copper Stainless Steel
 Patina Copper Brass

Inlet Location:

- Back Inlet (Standard) Bottom Inlet

