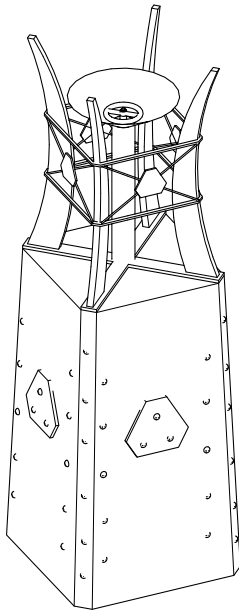
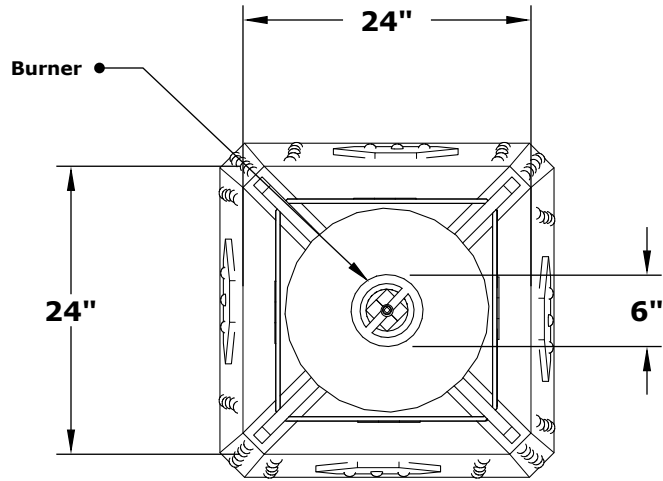


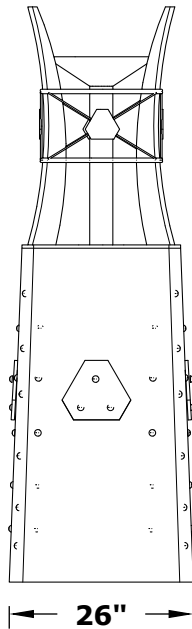
# BASTILLE COPPER TOWER



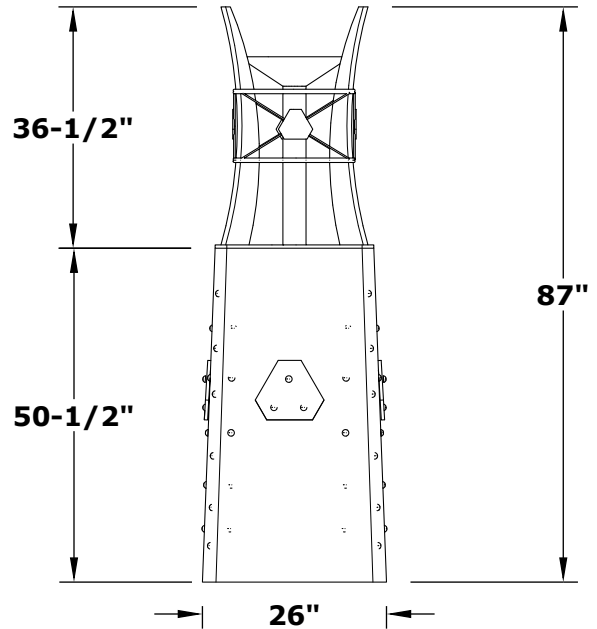
**ISOMETRIC VIEW**



**TOP VIEW**



**RIGHT SIDE VIEW**



**FRONT SIDE VIEW**

PART NUMBER	A	B	C	D	E	F	BTU
OPT-FTWR3	24"	26"	87"	36.5"	50.5"	6"	40,000
OPT-FTWR3EKIT	24"	26"	87"	36.5"	50.5"	6"	40,000

Fire Tower Material: Copper  
Pan Material: 304 Stainless Steel  
Burner Material: 304 Stainless Steel

**110V ELECTRONIC IGNITION**  
ANSI Z21.97-(2017) / CSA 2.41-(2017)



Match Lit Unit Includes: Pan, Burner, Gas Orifice, Gas Hoses, Key Valve, Key,  
110v Ignition Unit Includes: Pan, Burner, Gas Orifice, Gas Hoses, Key Valve, Key, Plug & Play Electronic Valve, Pilot Igniter.

<b>Drawn By</b>	Murguia M.
<b>Date Created</b>	6/2/2021