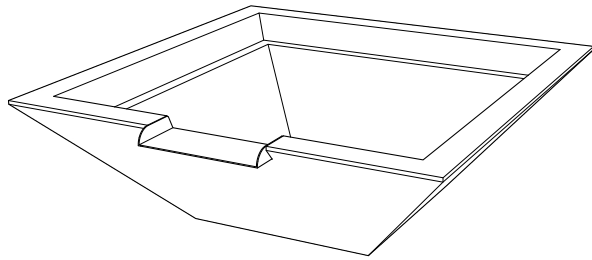
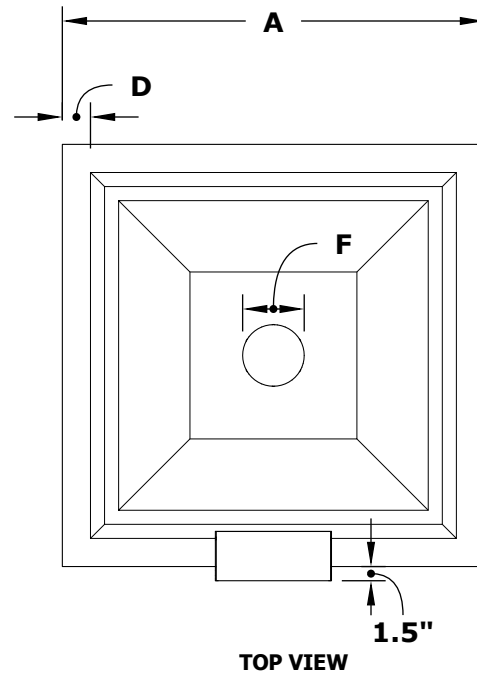


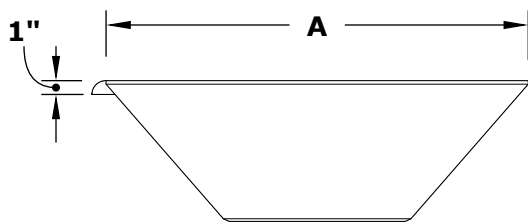
# MAYA WATER BOWL- GFRC CONCRETE



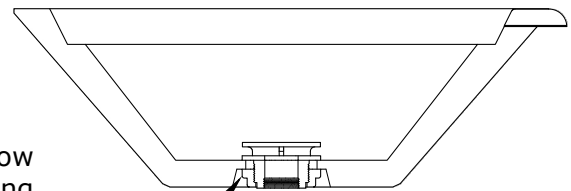
**ISOMETRIC VIEW**



**TOP VIEW**

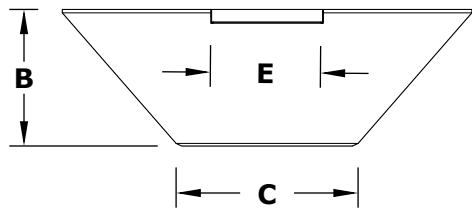


**RIGHT SIDE VIEW**

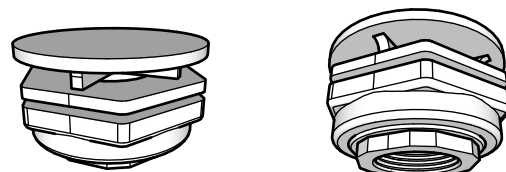


Smooth Flow  
Water Fitting  
(1 1/2" Connection)

**SECTION CUT**



**FRONT SIDE VIEW**



1 1/2" Inlet

| SKU       | A   | B   | C   | D    | E   | F    | GPM |
|-----------|-----|-----|-----|------|-----|------|-----|
| OPT-24SWO | 24" | 10" | 13" | 2"   | 8"  | 3.5" | 15  |
| OPT-30SWO | 30" | 10" | 13" | 2.5" | 8"  | 3.5" | 15  |
| OPT-36SWO | 36" | 12" | 20" | 3"   | 10" | 3.5" | 15  |

Fire Bowl Material: GFRC Concrete  
Finish: Smooth Finish  
Includes: Bowl, Copper Scupper,  
Water Fitting