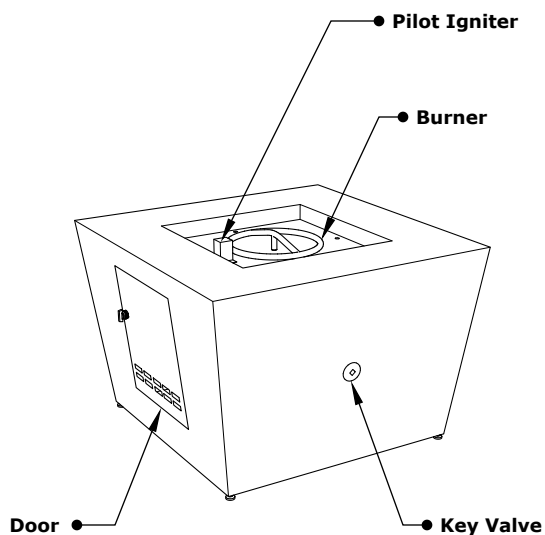
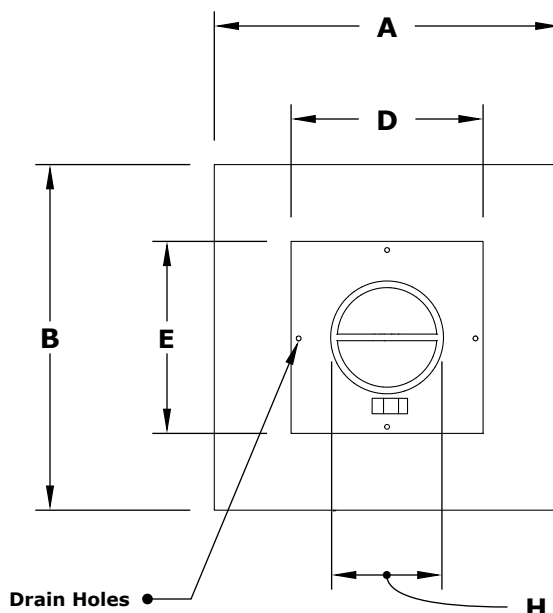


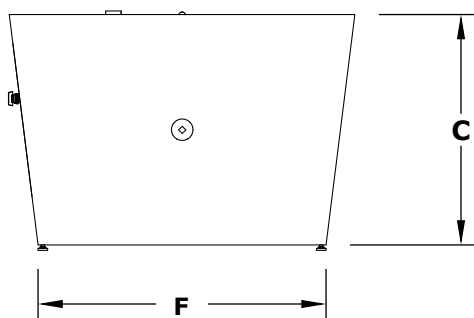
REDAN COPPER FIRE PIT



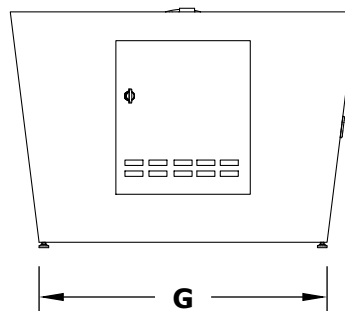
ISOMETRIC VIEW



TOP VIEW



RIGHT SIDE VIEW



FRONT SIDE VIEW

PART NUMBER	A	B	C	D	E	F	G	H	BTU
OPT-SQ36CPM	36"	36"	24"	20"	20"	30"	30"	12"	65,000
OPT-SQ36CPMEKIT	36"	36"	24"	20"	20"	30"	30"	12"	65,000
OPT-SQ48CPM	48"	48"	24"	24"	24"	36"	36"	18"	65,000
OPT-SQ48CPMEKIT	48"	48"	24"	24"	24"	36"	36"	18"	65,000

Fire Pit Material: Patina Copper
Pan Material: 304 Stainless Steel
Burner Material: 304 Stainless Steel

Standard 2" Depth on all pans
110V ELECTRONIC IGNITION
ANSI Z21.97-(2017) / CSA 2.41-(2017)



Match Lit Unit Includes: Pan, Burner, Gas Orifice, Gas Hoses, Key Valve, Key,
110v Ignition Unit Includes: Pan, Burner, Gas Orifice, Gas Hoses, Key Valve, Key, Plug & Play Electronic Valve, Pilot Igniter.