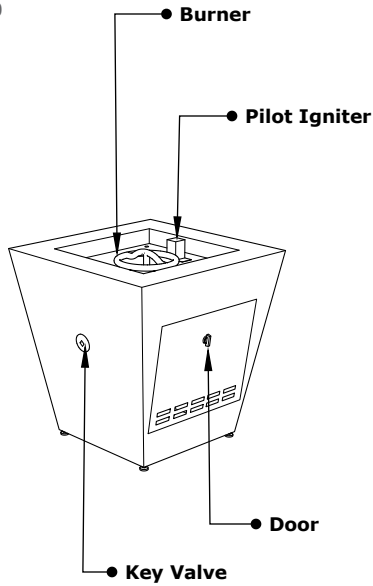
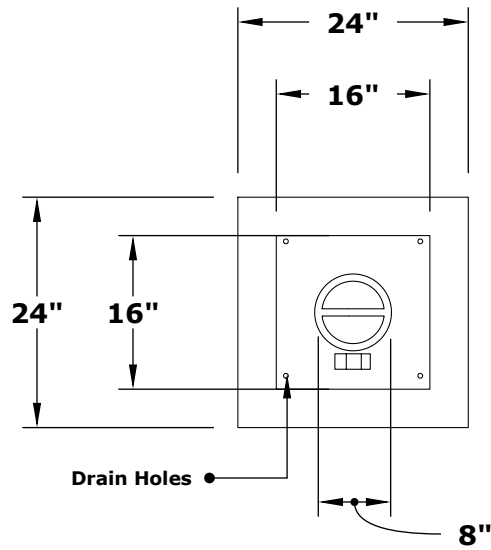


# VISTA FIRE PIT

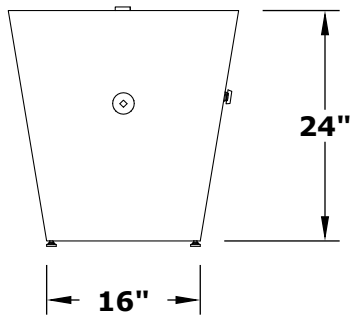
OPT-FPT2500  
 OPT-FPT2500EKIT  
 BTU Output: 65,000



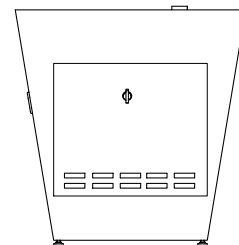
**ISOMETRIC VIEW**



**TOP VIEW**



**RIGHT SIDE VIEW**



**FRONT SIDE VIEW**

Fire Pit Material: GFRC Concrete  
 Pan Material: 304 Stainless Steel  
 Burner Material: 304 Stainless Steel

Standard 2" Depth on all pans

**110V ELECTRONIC IGNITION**

ANSI Z21.97-(2017) / CSA 2.41-(2017)



Match Lit Unit Includes: Pan, Burner, Gas Orifice, Gas Hoses, Key Valve, Key,  
 110v Ignition Unit Includes: Pan, Burner, Gas Orifice, Gas Hoses, Key Valve, Key, Plug & Play Electronic Valve, Pilot Igniter.

**Proprietary & Confidential:** The information contained in this drawing is the sole property of **The Outdoor Plus**. Any reproduction or as a whole without written permission of **The Outdoor Plus** is prohibited.