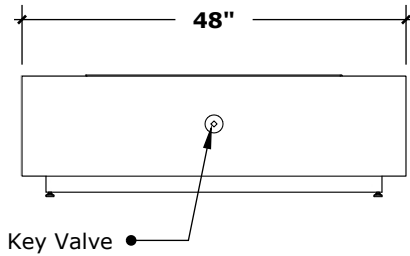


# 48" CORONADO WOOD GRAIN FIRE PIT

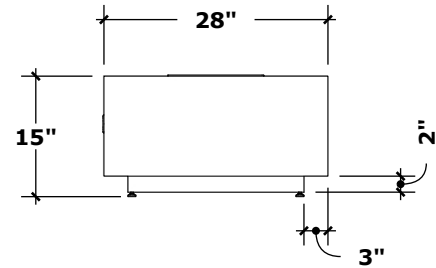
OPT-COR48

Weight: Approx. 235lbs.



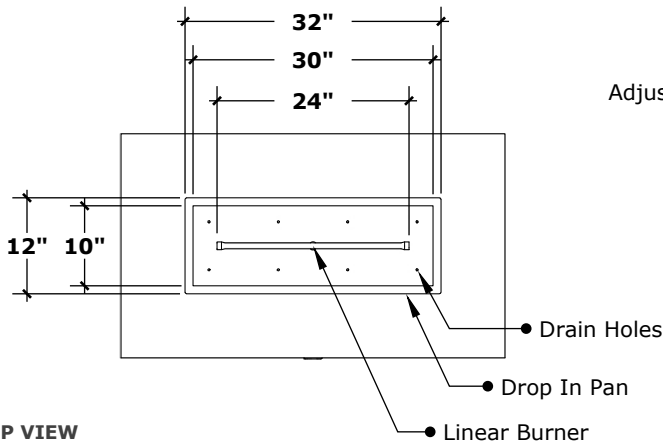
**FRONT VIEW**

scale: 1/2" = 1'-0" (1:24)



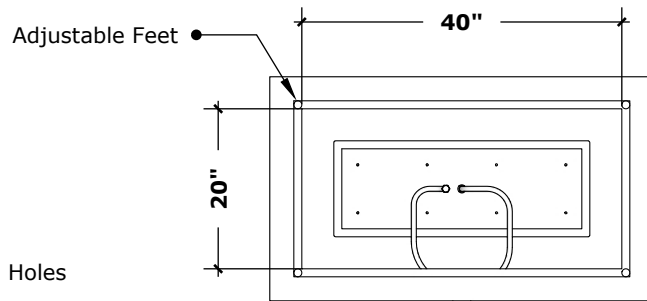
**RIGHT VIEW**

scale: 1/2" = 1'-0" (1:24)



**TOP VIEW**

scale: 1/2" = 1'-0" (1:24)



**UNDERSIDE VIEW**

scale: 1/2" = 1'-0" (1:24)

Fire Pit Material: GFRC Concrete  
Pan Material: 304 Stainless Steel  
Burner Material: 304 Stainless Steel

**Match Lit Unit Includes:** Pan, Burner, Gas Orifice, Gas Hoses, Key Valve, Key,

**110v Ignition Unit Includes:** Pan, Burner, Gas Orifice, Gas Hoses, Key Valve, Key, Plug & Play Electronic Valve, Pilot Igniter.



**110V ELECTRONIC IGNITION CERTIFICATION**  
ANSI Z21.97-(2017) / CSA 2.41-(2017)