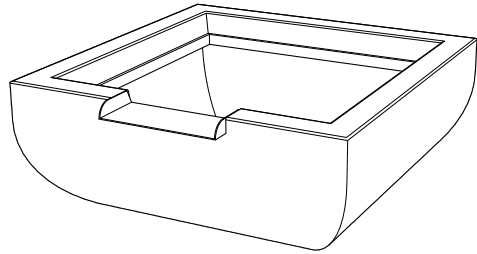
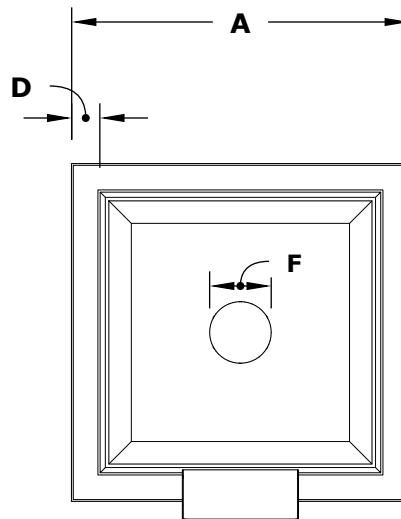


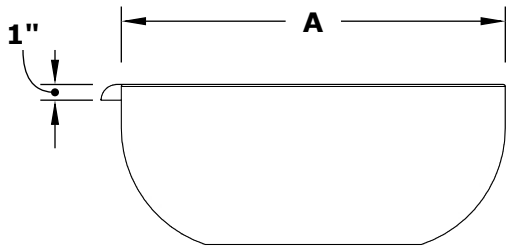
AVALON WATER BOWL- GFRC CONCRETE



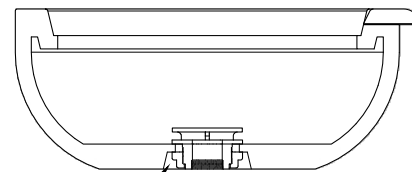
ISOMETRIC VIEW



TOP VIEW

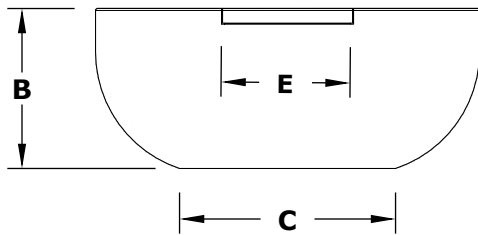


RIGHT SIDE VIEW

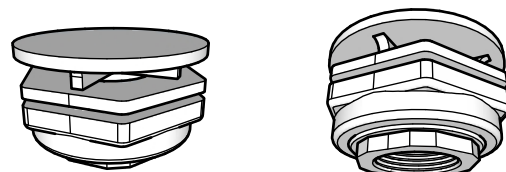


**Smooth Flow
Water Fitting
(1 1/2" Connection)**

SECTION CUT



FRONT SIDE VIEW



1 1/2" Inlet

| SKU | A | B | C | D | E | F | GPM |
|-------------|-----|-----|-----|------|-----|------|------|
| OPT-AVLWO24 | 24" | 10" | 13" | 2" | 8" | 3" | 7-10 |
| OPT-AVLWO30 | 30" | 12" | 18" | 3.5" | 8" | 3.5" | 7-10 |
| OPT-AVLWO36 | 36" | 12" | 20" | 3.5" | 10" | 3.5" | 7-10 |

Fire Bowl Material: GFRC Concrete
 Finish: Smooth Finish
 Includes: Bowl, Copper Scupper,
 Water Fitting