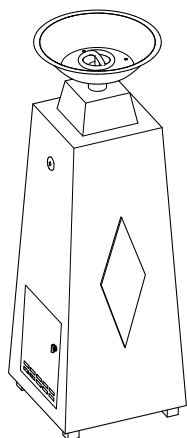
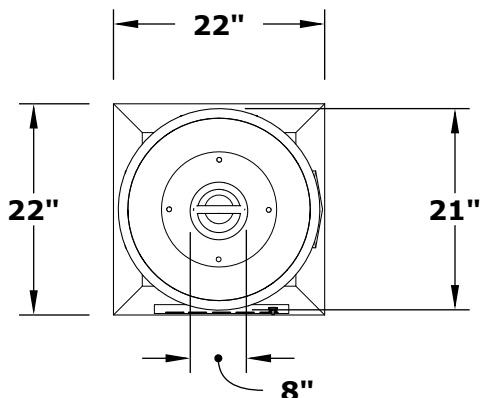


GRANADA FIRE TOWER

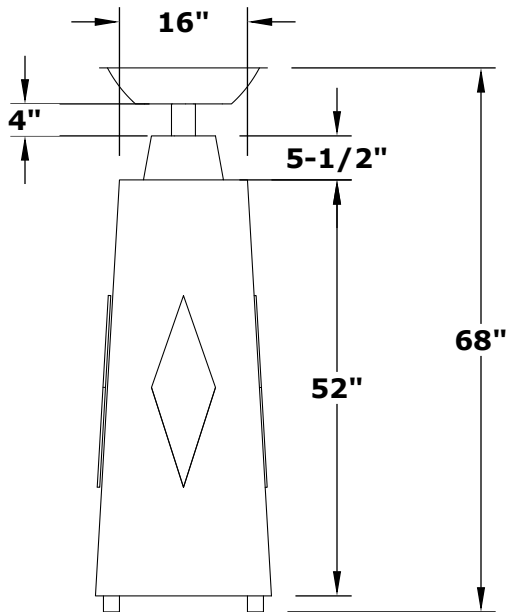
OPT-FTWR1
OPT-FTWR1EKIT



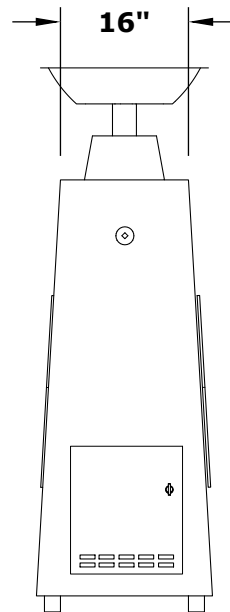
ISOMETRIC VIEW



TOP VIEW



RIGHT SIDE VIEW



BACK SIDE VIEW

Fire Pit Material: Galvanized steel
Pan Material: 304 Stainless Steel
Burner Material: 304 Stainless Steel

110V ELECTRONIC IGNITION
ANSI Z21.97-(2017) / CSA 2.41-(2017)



Match Lit Unit Includes: Pan, Burner, Gas Orifice, Gas Hoses, Key Valve, Key,
110v Ignition Unit Includes: Pan, Burner, Gas Orifice, Gas Hoses, Key Valve, Key, Plug & Play Electronic Valve, Pilot Igniter.

Proprietary & Confidential: The information contained in this drawing is the sole property of **The Outdoor Plus**. Any reproduction or as a whole without written permission of **The Outdoor Plus** is prohibited.