



# WATER BOWL INSTALLATION

## GENERAL INFORMATION

Please carefully follow the instructions in this manual to prevent personal injury or property loss. Instructions are updated as needed. It is the installer's responsibility to periodically review instruction for applicable updates.

The steps listed as

**WARNING:** Contains information critical to the safe installation and operation of the fire bowl.

**WARRANTY REQUIREMENT:** Must be strictly followed to qualify for product warranty. Warranty will be void if not followed.

**IMPORTANT:** Notes and insights to help ensure product satisfaction and serviceability.

**WARNING:** It is the installer's responsibility to ensure a safe installation and to educate the end user as to proper operation. Leave this manual with the end user.

**WARNING:** Never alter product or configuration in any way.

**WARNING:** Verify correct water pressure and water requirements

### WATER REQUIREMENTS FOR WATER BOWL: 12-15 GPM

#### ITEMS NEEDED

- Silicone or epoxy adhesive
- 1 1/2" PVC and PVC connections
- decorative stones (optional)

#### ITEMS INCLUDED WITH YOUR WATER BOWL:

- Smooth Flow Water Fitting (1 1/2" MIP)
- Copper Spillway



Smooth Flow Water Fitting



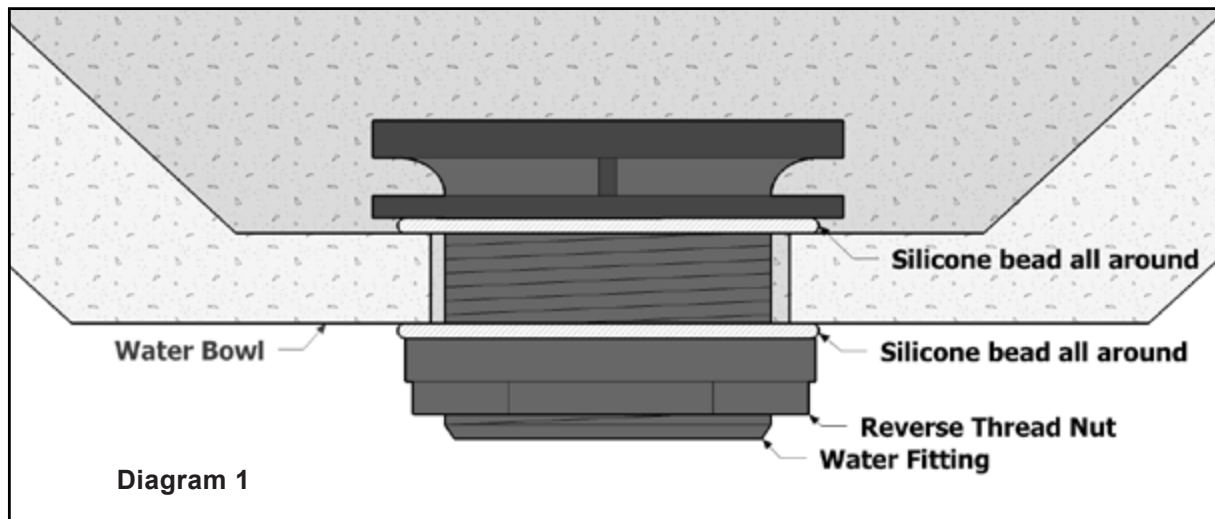
Copper Spillway

## INSTALLATION

1. Install our smooth flow water fitting onto the bowl. Remove the nut (reverse thread) apply silicone on the interior of the water fitting to avoid water leakage. Tighten the fitting. Reminder, the nut is reverse thread. Allow curing time for the silicone to avoid any water leaks. (See Diagram #1)

2. Leak test. Add small amounts of water in the interior of the bowl to check for leaks. If a leak is detected, you can patch the leak with more silicone. If no leak is detected you are now ready to install the water supply line.

3. Connect your water supply line to the water fitting. The water fitting has 1 1/2" female inlet but you can reduce it to your desired water supply line with reducers or bushings. This fitting is made for the installation of the water bowl and to give you the best flow output possible.



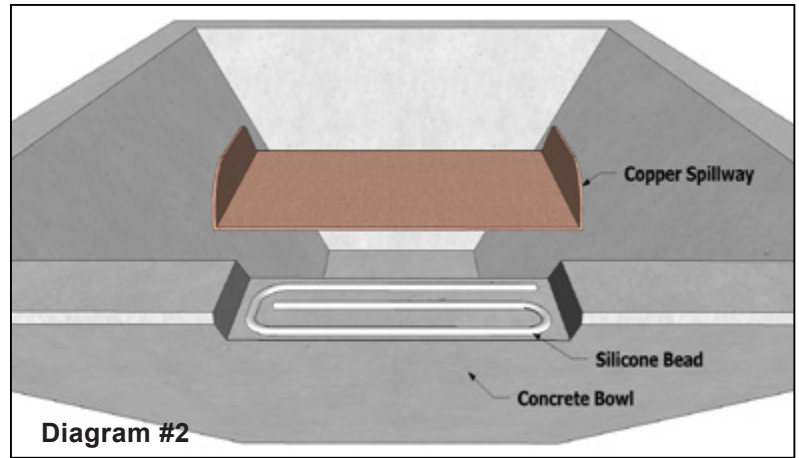


# WATER BOWL INSTALLATION

4. Secure the bowl to the column. You can use thin-set, anchors, mortar, cement and/or any other bonding agent. If you are using anchors please make sure to pre-drill the bowl to prevent cracking the bowl. Make sure the bowl is water tight. When securing the bowl, level the bowl to get an even flow out of the scupper. Not having a level bowl can result in an inconsistent water flow.

5. Install the scupper to the bowl.  
Permanently attach the scupper to the lip of the bowl by using an epoxy adhesive, silicone and or any other bonding agent of choice. Make sure the scupper is leveled for the best water flow output.

**Step 7.** You are now ready to turn on your water bowl. You can add decorative stone inside the bowl if desired.



Water Bowl

## MAINTENANCE

**WARNING:** In areas where temperatures fall below freezing, make sure to winterize your water bowls. You can do this by draining the bowls before temperatures freeze. Water stuck inside the water line can expand when frozen and burst the water line.

Prior to Each Use

1. Inspect for debris in Water Feature – remove debris prior to use
2. Ensure the water fitting is free of debris for proper water flow.

Semi-Annually

1. Leak Test - Inspect all connections where there is any silicone or epoxy adhesives. Water chemicals and UV light can erode these seals and you may need to reapply the sealant
2. Give the copper spillway a slight tug. If too loose, the water flow can knock off the spillway leaving a raw concrete surface. This will bring an unpleasant flow of water.

Annually

1. Turn water feature on to ensure proper operation.

THIS IS THE END OF THE INSTALLATION INSTRUCTIONS FOR WATER ONLY BOWLS