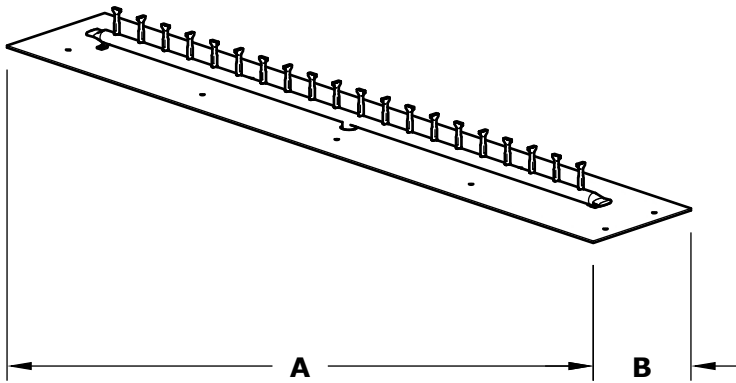
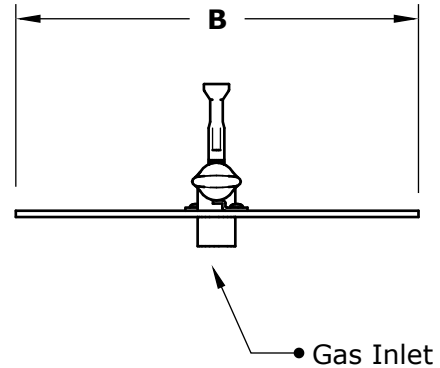


FLAT PAN & LINEAR BULLET BURNER

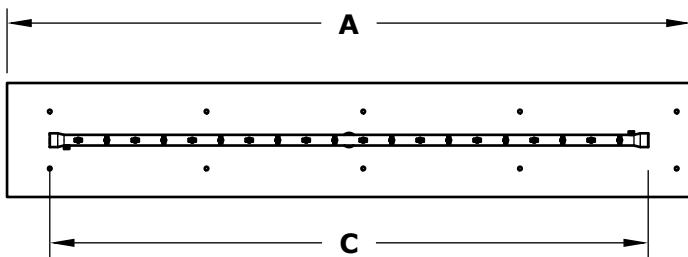
MATCH LIT IGNITION



ISOMETRIC VIEW



RIGHT SIDE VIEW



TOP VIEW

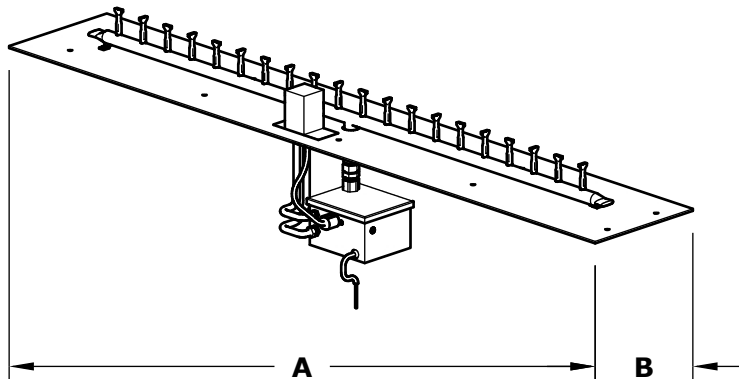


FRONT SIDE VIEW

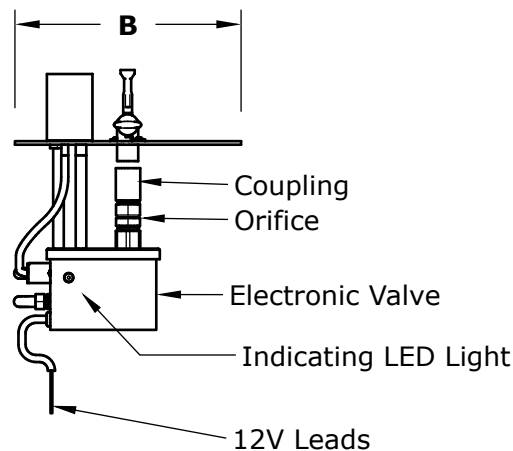
SKU	A	B	C	D	INLET	BTU
OPT-BFP24RT	24"	8"	18"	9"	1/2"	40,000
OPT-BFP36RT	36"	8"	30"	9"	1/2"	60,000
OPT-BFP48RT	48"	8"	42"	9"	1/2"	80,000
OPT-BFP60RT	60"	8"	48"	9"	1/2"	100,000
OPT-BFP72RT	72"	8"	60"	9"	1/2"	120,000
OPT-BFP84RT	84"	8"	72"	9"	3/4"	140,000
OPT-BFP96RT	96"	8"	84"	9"	3/4"	170,000

Pan Material: 304 Stainless Steel
 Burner Material: 304 Stainless Steel
 Ignition Type: Match Lit
 Includes: Pan, Burner

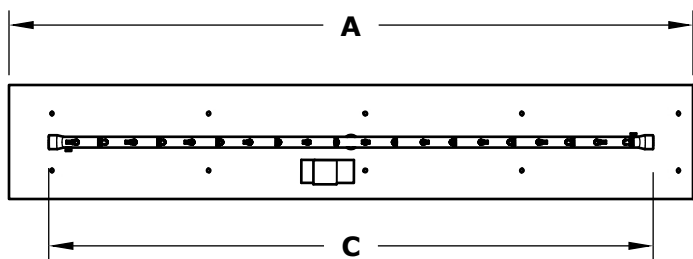
FLAT PAN & LINEAR BULLET BURNER 12V ELECTRONIC IGNITION



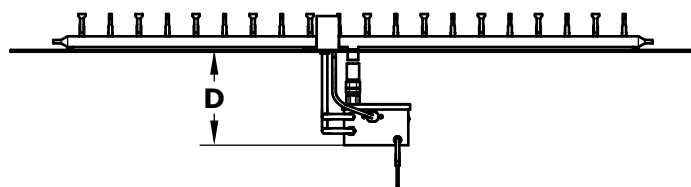
ISOMETRIC VIEW



RIGHT SIDE VIEW



TOP VIEW



FRONT SIDE VIEW

SKU	A	B	C	D	INLET	BTU
OPT-BFP24RTE12	24"	8"	18"	9"	1/2"	40,000
OPT-BFP36RTE12	36"	8"	30"	9"	1/2"	60,000
OPT-BFP48RTE12	48"	8"	42"	9"	1/2"	80,000
OPT-BFP60RTE12	60"	8"	48"	9"	1/2"	100,000
OPT-BFP72RTE12	72"	8"	60"	9"	1/2"	120,000
OPT-BFP84RTE12	84"	8"	72"	9"	3/4"	140,000
OPT-BFP96RTE12	96"	8"	84"	9"	3/4"	170,000

Pan Material: 304 Stainless Steel
 Burner Material: 304 Stainless Steel
 Ignition Type: 12V Electronic Ignition
 (12V Transformer Included)

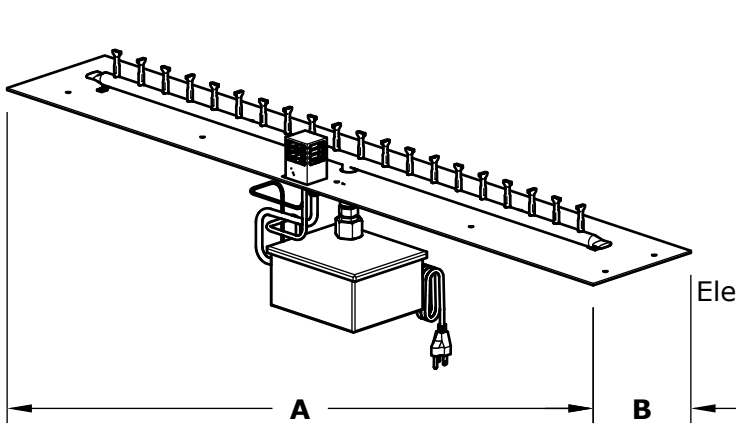
12V ELECTRONIC IGNITION
 ANSI Z21.97-(2017) / CSA 2.41-(2017)



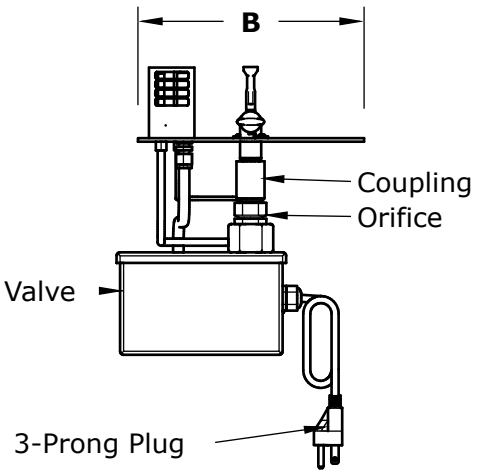
Includes: Pan, Burner, Electronic Valve,
 Pilot Igniter, 12V Transformer.

FLAT PAN & LINEAR BULLET BURNER

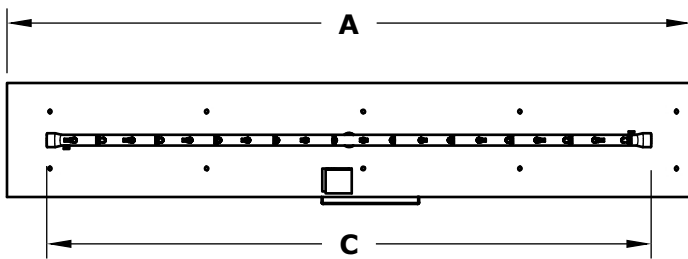
110V ELECTRONIC IGNITION



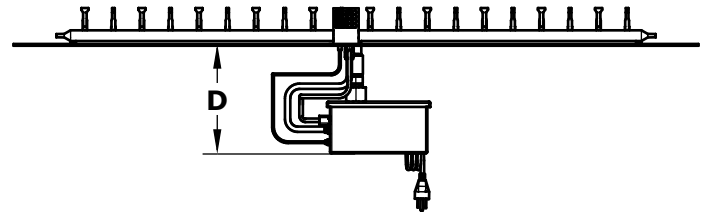
ISOMETRIC VIEW



RIGHT SIDE VIEW



TOP VIEW



FRONT SIDE VIEW

SKU	A	B	C	D	INLET	BTU
OPT-BFP24RTE110	24"	8"	18"	9"	1/2"	40,000
OPT-BFP36RTE110	36"	8"	30"	9"	1/2"	60,000
OPT-BFP48RTE110	48"	8"	42"	9"	1/2"	80,000
OPT-BFP60RTE110	60"	8"	48"	9"	1/2"	100,000
OPT-BFP72RTE110	72"	8"	60"	9"	1/2"	120,000
OPT-BFP84RTE110	84"	8"	72"	9"	3/4"	140,000
OPT-BFP96RTE110	96"	8"	84"	9"	3/4"	170,000

Pan Material: 304 Stainless Steel
 Burner Material: 304 Stainless Steel
 Ignition Type: 110V Electronic Ignition
 (110V Transformer Included)

110V ELECTRONIC IGNITION
 ANSI Z21.97-(2017) / CSA 2.41-(2017)



Includes: Pan, Burner, Electronic Valve,
 Pilot Igniter, 110V Transformer.