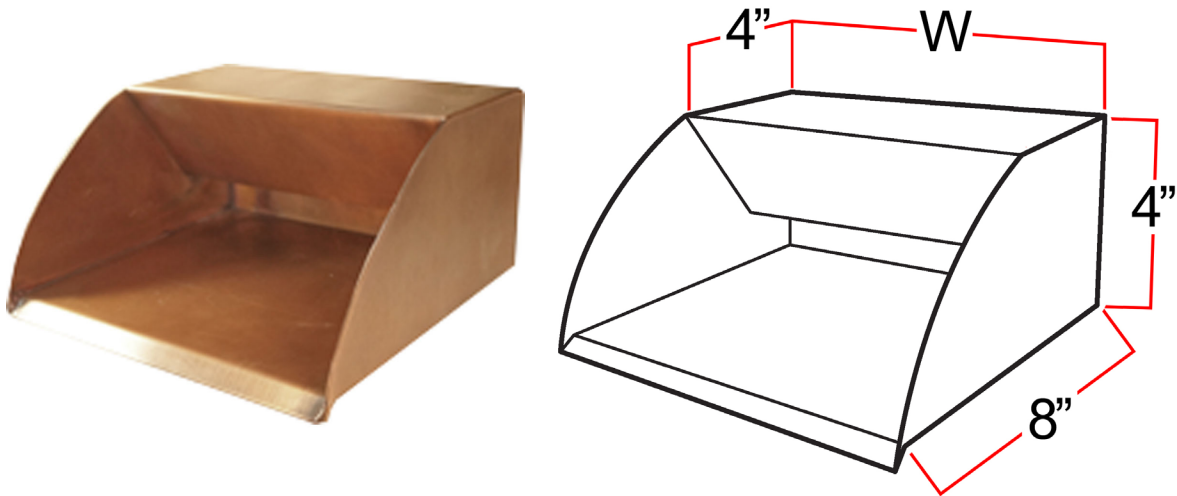


Radius Scupper Manual



INSTALLATION

- › Make sure you have a scupper cavity that is 3/16" bigger than that of your scupper size in the width and height aspects.
- › The handmade nature of the scupper might mean you have to adjust your measurements accordingly.
- › Position the scupper into the scupper cavity according to the desired scupper overhang. TOP recommends that you have a minimum of 2" of scupper wall/manifold inside of the scupper cavity.
- › Make sure you ground your scupper with our grounding lug located in back of your scupper by connecting copper wire to the ground.
- › Use a strong adhesive to hold down the scupper to the desired location.
- › The inlet is 1.5" wide located in behind the scupper. Connect your PVC piping to the scupper inlet. PVC piping and water should use 10-12 GPM per linear foot of the scupper's width. Increase GPMs to desired arch flow for further protrusions.
- › Install a water ball valve on each scupper if you would like to adjust water output.

CARE

If scupper starts to become loose at any point repair with the adhesive and lock back into place.

WARRANTY

1 Year Limited Warranty - For Manufacturer Defects.