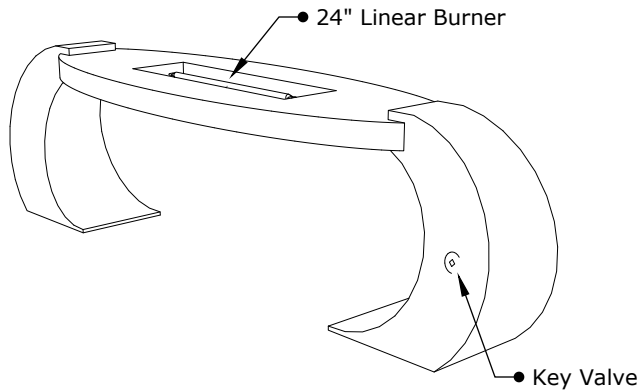
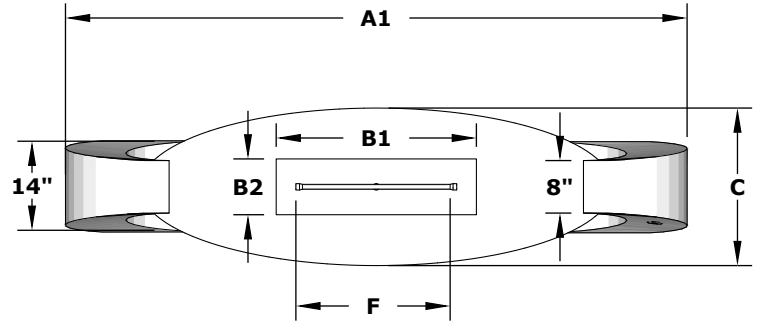


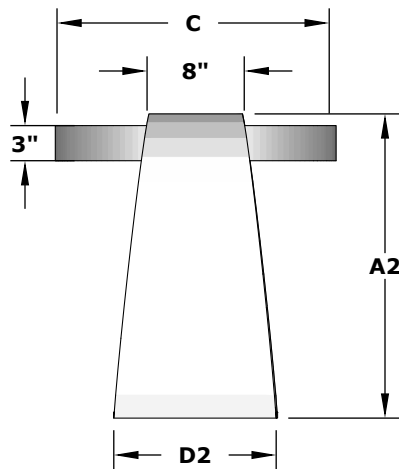
# VERNON FIRE PIT - STAINLESS STEEL



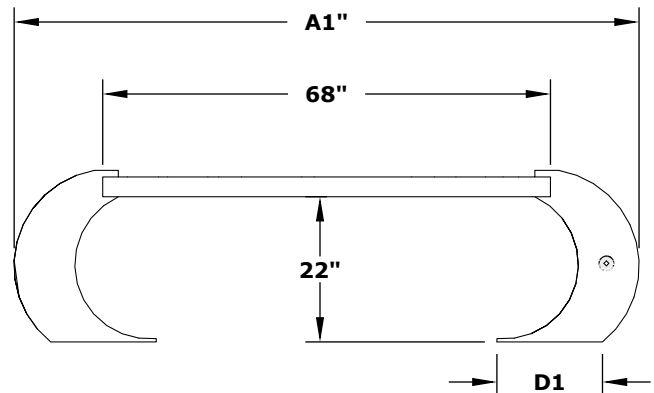
**ISOMETRIC VIEW**



**TOP VIEW**



**RIGHT SIDE VIEW**



**FRONT SIDE VIEW**

SKU	A1	A2	B1	B2	C	D1	D2	F	BTU
OPT-VRNSS	86"	27"	30"	8"	24"	16"	14"	24"	65,000

Fire Pit Material: 316 Stainless Steel  
 Finish: Brushed  
 Pan Material: 316 Stainless Steel  
 Burner Material: 304 Stainless Steel

Standard 2" Depth on all pans

**110V or 12V ELECTRONIC IGNITION**  
 ANSI Z21.97-(2017) / CSA 2.41-(2017)

Includes: Pan, Burner, Key Valve, Whistle Free Hoses, Black Lava Rock.

