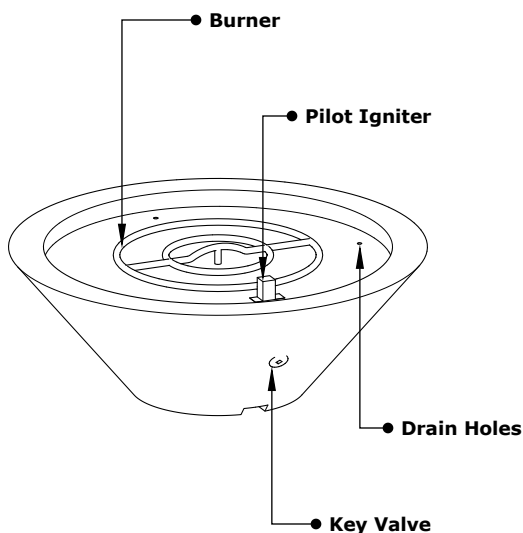
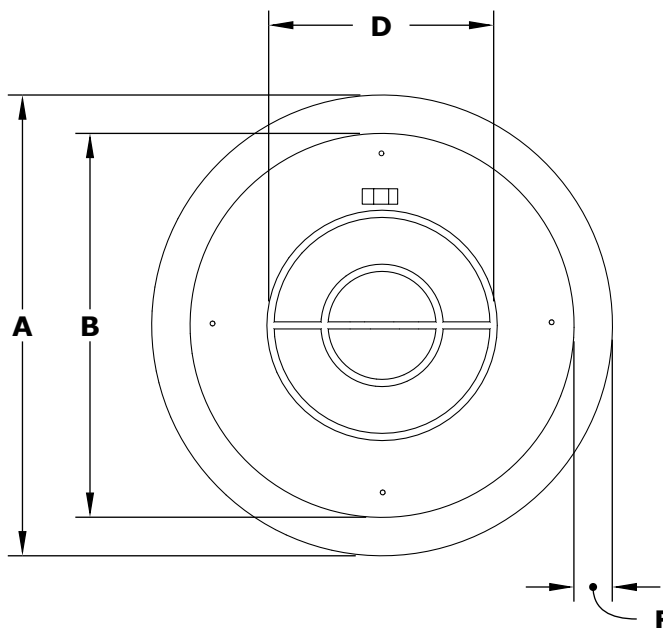


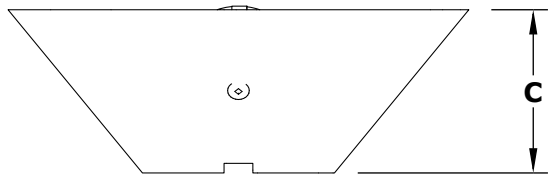
# CAZO FIRE PIT - NARROW LEDGE



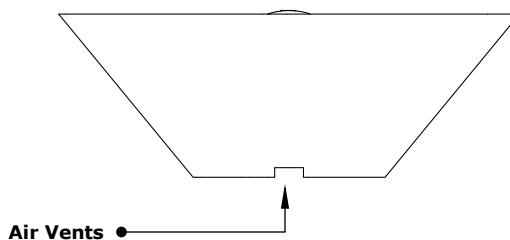
**ISOMETRIC VIEW**



**TOP VIEW**



**FRONT SIDE VIEW**



**BACK SIDE VIEW**

PART NUMBER	A	B	C	D	E	F	BTU
OPT-CZNL48	48"	40"	17"	24"	20"	4"	65,000
OPT-CZNL48EKIT	48"	40"	17"	24"	20"	4"	65,000
OPT-CZNL60	60"	50"	21"	30"	28"	5"	65,000
OPT-CZNL60EKIT	60"	50"	21"	30"	28"	5"	65,000

Fire Pit Material: GFRC Concrete  
 Pan Material: 304 Stainless Steel  
 Burner Material: 304 Stainless Steel  
 Ignition Type: Match Lit or Electronic  
 Standard 2" Depth on all pans  
**110V ELECTRONIC IGNITION**  
 ANSI Z21.97-(2017) / CSA 2.41-(2017)



Match Lit Unit Includes: Pan, Burner, Gas Orifice, Gas Hoses, Key Valve, Key,  
 110v Ignition Unit Includes: Pan, Burner, Gas Orifice, Gas Hoses, Key Valve, Key, Plug & Play Electronic Valve, Pilot Igniter.

**Proprietary & Confidential:** The information contained in this drawing is the sole property of **The Outdoor Plus**. Any reproduction or as a whole without written permission of **The Outdoor Plus** is prohibited.