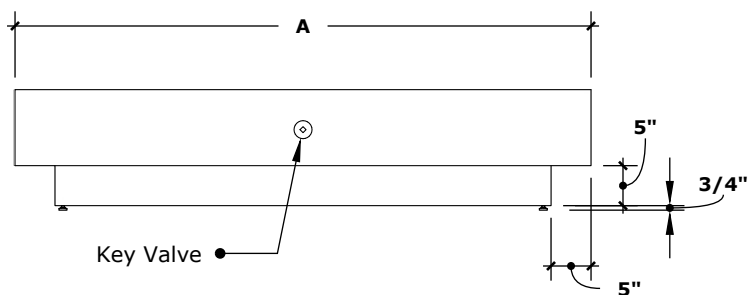


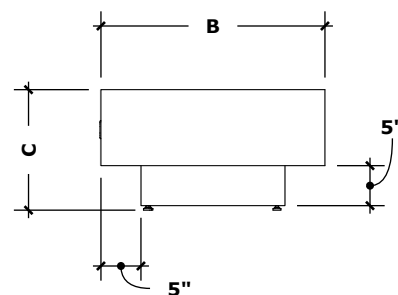
CORONADO FIRE PIT

Copper, Corten Steel, Stainless Steel, Powder Coated Steel



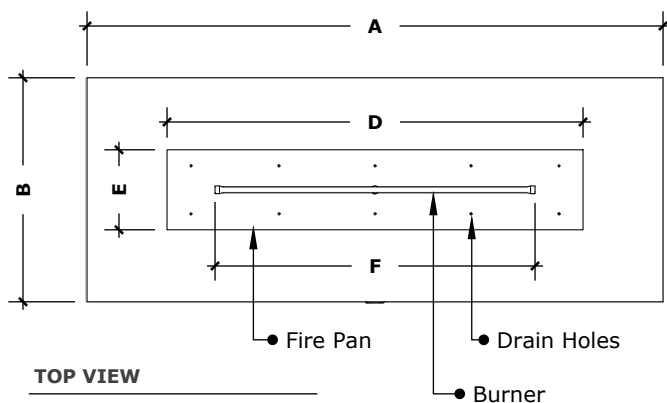
FRONT VIEW

scale: 1/2" = 1'-0" (1:24)



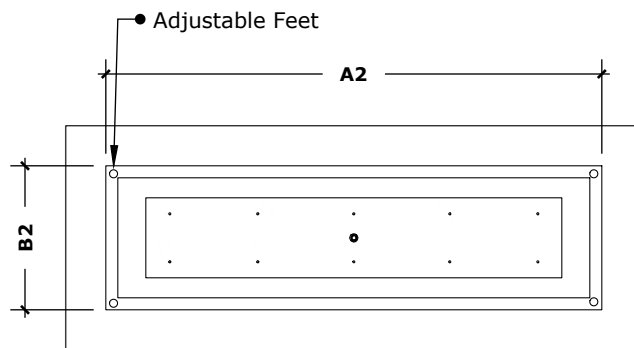
RIGHT VIEW

scale: 1/2" = 1'-0" (1:24)



TOP VIEW

scale: 1/2" = 1'-0" (1:24)



UNDERSIDE VIEW

scale: 1/2" = 1'-0" (1:24)

HAMMERED COPPER	CORTEN STEEL	STAINLESS STEEL	POWDER COAT STEEL	A	B	A2	B2	C	D	E	F	BTU
OPT-CORCPR48	OPT-CORCS48	OPT-CORSS48	OPT-CORPC48	48"	28"	38"	18"	15"	30"	10"	24"	40,000
OPT-CORCPR60	OPT-CORCS60	OPT-CORSS60	OPT-CORPC60	60"	28"	50"	18"	15"	42"	10"	30"	50,000
OPT-CORCPR72	OPT-CORCS72	OPT-CORSS72	OPT-CORPC72	72"	28"	62"	18"	15"	54"	10"	42"	70,000
OPT-CORCPR84	OPT-CORCS84	OPT-CORSS84	OPT-CORPC84	84"	28"	74"	18"	15"	66"	10"	54"	90,000
OPT-CORCPR96	OPT-CORCS96	OPT-CORSS96	OPT-CORPC96	96"	28"	86"	18"	15"	78"	10"	60"	100,000
OPT-CORCPR108	OPT-CORCS108	OPT-CORSS108	OPT-CORPC108	108"	28"	96"	18"	15"	90"	10"	72"	120,000

Fire Pit Material: Multiple

Pan Material: 304 Stainless Steel

Burner Material: 304 Stainless Steel

Standard 2" Depth on all pans

Match Lit Unit Includes: Pan, Burner, Gas Orifice, Gas Hoses, Key Valve, Key,

110v Ignition Unit Includes: Pan, Burner, Gas Orifice, Gas Hoses, Key Valve, Key, Plug & Play Electronic Valve, Pilot Igniter.



110V ELECTRONIC IGNITION CERTIFICATION
ANSI Z21.97-(2017) / CSA 2.41-(2017)

Proprietary & Confidential: The information contained in this drawing is the sole property of **The Outdoor Plus**. Any reproduction or as a whole without written permission of **The Outdoor Plus** is prohibited.