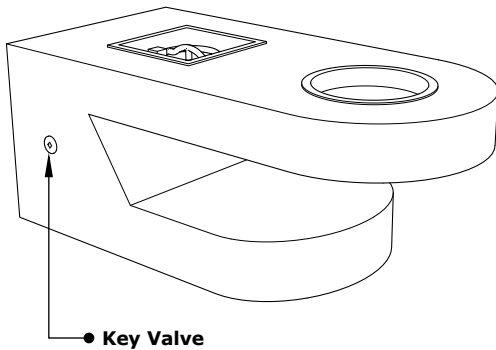
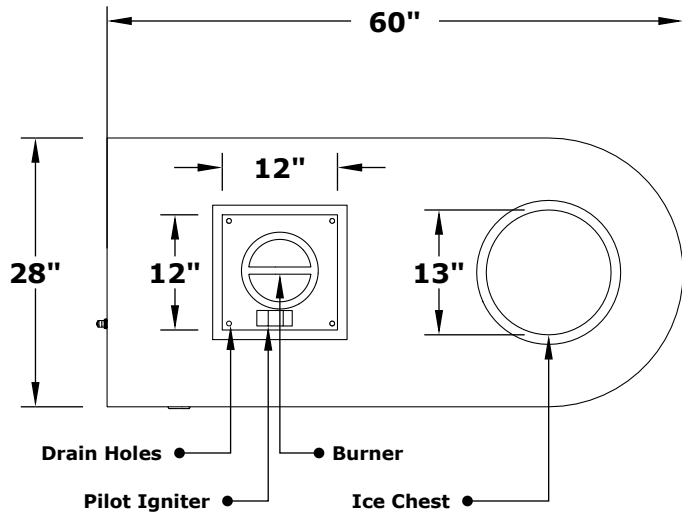


# DANA FIRE PIT

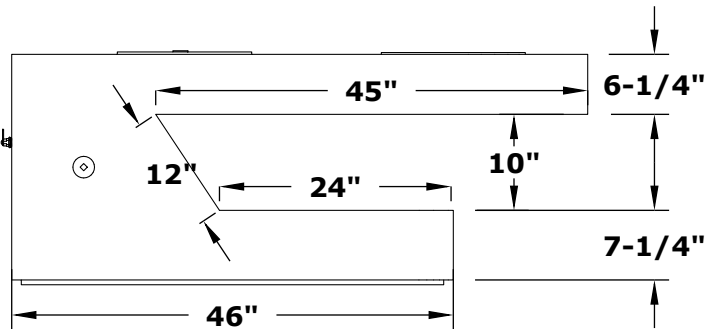
OPT-DANPC60  
OPT-DANPC60EKIT



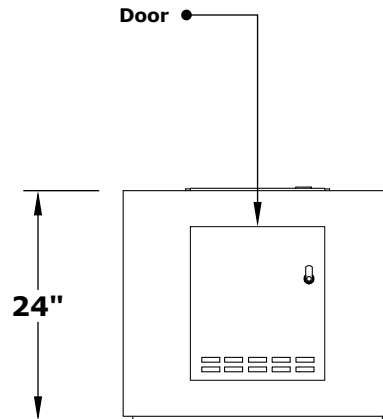
**ISOMETRIC VIEW**



**TOP VIEW**



**RIGHT SIDE VIEW**



**FRONT SIDE VIEW**

Fire Pit Material: GFRC Concrete / Powder Coat  
Pan Material: 304 Stainless Steel  
Burner Material: 304 Stainless Steel

Standard 1" Flange on all pans  
Standard 2" Depth on all pans

**110V ELECTRONIC IGNITION**  
ANSI Z21.97-(2017) / CSA 2.41-(2017)



Match Lit Unit Includes: Pan, Burner, Gas Orifice, Gas Hoses, Key Valve, Key,  
110v Ignition Unit Includes: Pan, Burner, Gas Orifice, Gas Hoses, Key Valve, Key, Plug & Play Electronic Valve, Pilot Igniter.