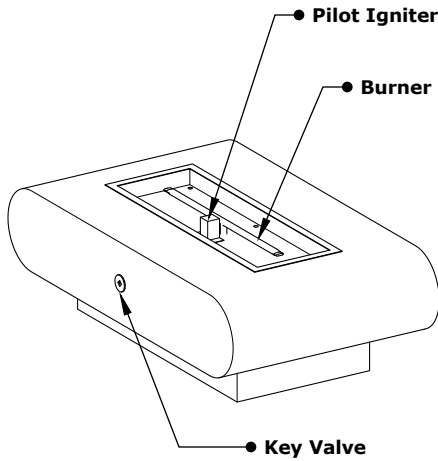
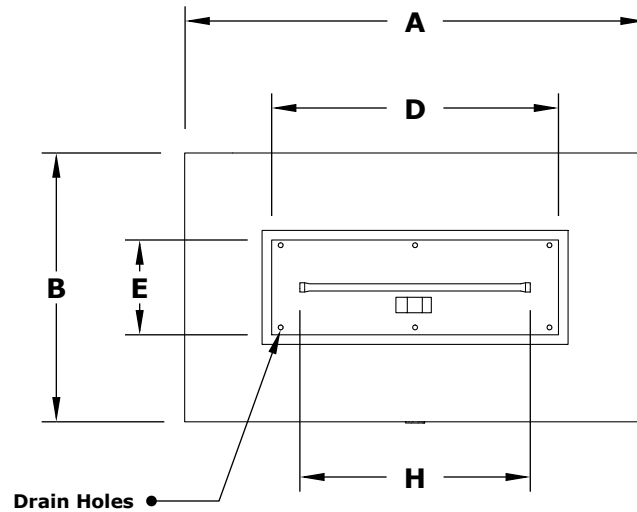


LA JOLLA FIRE PIT

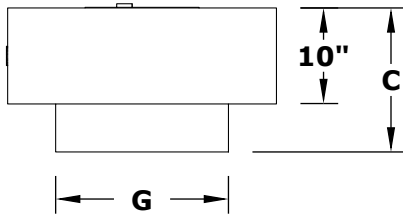
Hammered Copper, Corten Steel, Stainless Steel, Powder Coat



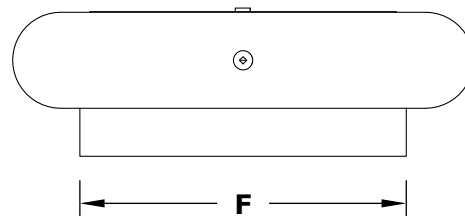
ISOMETRIC VIEW



TOP VIEW



RIGHT SIDE VIEW



FRONT SIDE VIEW

Hammered Copper	Corten Steel	Stainless Steel	Powder Coat	A	B	C	D	E	F	G	H	BTU
OPT-LAJCPR48	OPT-LAJCS48	OPT-LAJSS48	OPT-LAJPC48	48"	28"	15"	30"	10"	34"	18"	24"	45,000
OPT-LAJCPR60	OPT-LAJCS60	OPT-LAJSS60	OPT-LAJPC60	60"	28"	15"	42"	10"	46"	18"	36"	65,000
OPT-LAJCPR72	OPT-LAJCS72	OPT-LAJSS72	OPT-LAJPC72	72"	28"	15"	54"	10"	58"	18"	48"	80,000
OPT-LAJCPR84	OPT-LAJCS84	OPT-LAJSS84	OPT-LAJPC84	84"	28"	15"	66"	10"	70"	18"	60"	110,000
OPT-LAJCPR96	OPT-LAJCS96	OPT-LAJPC96	OPT-LAJPC96	96"	28"	15"	78"	10"	82"	18"	72"	135,000

Fire Pit Material: GFRC Concrete
 Pan Material: 304 Stainless Steel
 Burner Material: 304 Stainless Steel

Standard 1" Depth on all pans
 Standard 2" Depth on all pans

110V ELECTRONIC IGNITION
 ANSI Z21.97-(2017) / CSA 2.41-(2017)



Match Lit Unit Includes: Pan, Burner, Gas Orifice, Gas Hoses, Key Valve, Key,
 110v Ignition Unit Includes: Pan, Burner, Gas Orifice, Gas Hoses, Key Valve, Key, Plug & Play Electronic Valve, Pilot Igniter.

Proprietary & Confidential: The information contained in this drawing is the sole property of **The Outdoor Plus**. Any reproduction or as a whole without written permission of **The Outdoor Plus** is prohibited.