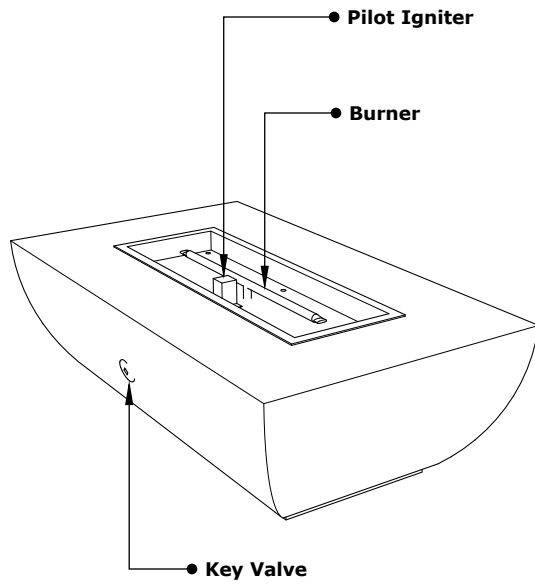
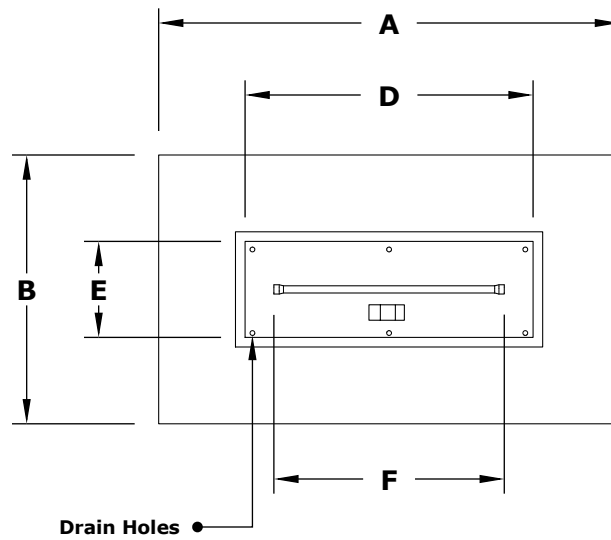


LINEAR AVALON FIRE PIT - 15" Tall

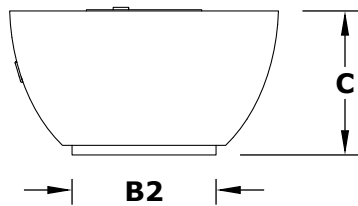
Hammered Copper, Corten Steel, Stainless Steel, Powder Coat



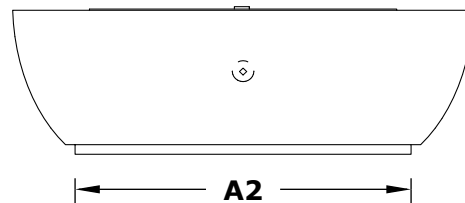
ISOMETRIC VIEW



TOP VIEW



RIGHT SIDE VIEW



FRONT SIDE VIEW

Hammered Copper	Corten Steel	Stainless Steel	Powder Coat	A	A2	B	B2	C	D	E	F	BTU
OPT-AVLCPR4815	OPT-AVLCS4815	OPT-AVLSS4815	OPT-AVLPC4815	48"	35"	28"	15"	15"	30"	10"	24"	65,000
OPT-AVLCPR6015	OPT-AVLCS6015	OPT-AVLSS6015	OPT-AVLPC6015	60"	47"	28"	15"	15"	42"	10"	36"	65,000
OPT-AVLCPR7215	OPT-AVLCS7215	OPT-AVLSS7215	OPT-AVLPC7215	72"	59"	28"	15"	15"	54"	10"	48"	65,000
OPT-AVLCPR8415	OPT-AVLCS8415	OPT-AVLSS8415	OPT-AVLPC8415	84"	71"	28"	15"	15"	66"	10"	60"	65,000

Fire Pit Material: Various Metals

Pan Material: 304 Stainless Steel

Burner Material: 304 Stainless Steel

Standard 1" Flange on all pans

Standard 2" Depth on all pans

110V ELECTRONIC IGNITION

ANSI Z21.97-(2017) / CSA 2.41-(2017)



Match Lit Unit Includes: Pan, Burner, Gas Orifice, Gas Hoses, Key Valve, Key,

110v Ignition Unit Includes: Pan, Burner, Gas Orifice, Gas Hoses, Key Valve, Key, Plug & Play Electronic Valve, Pilot Igniter.