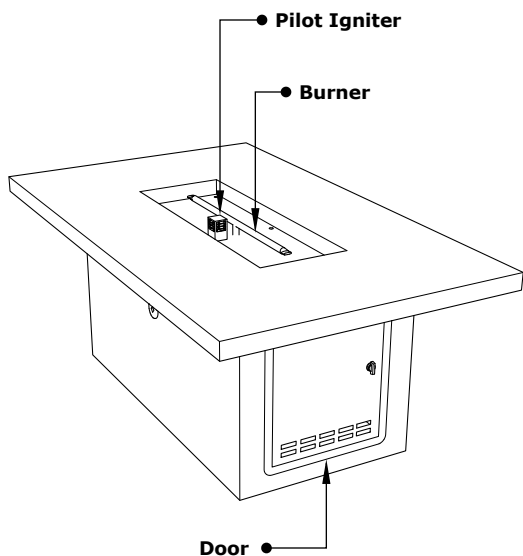
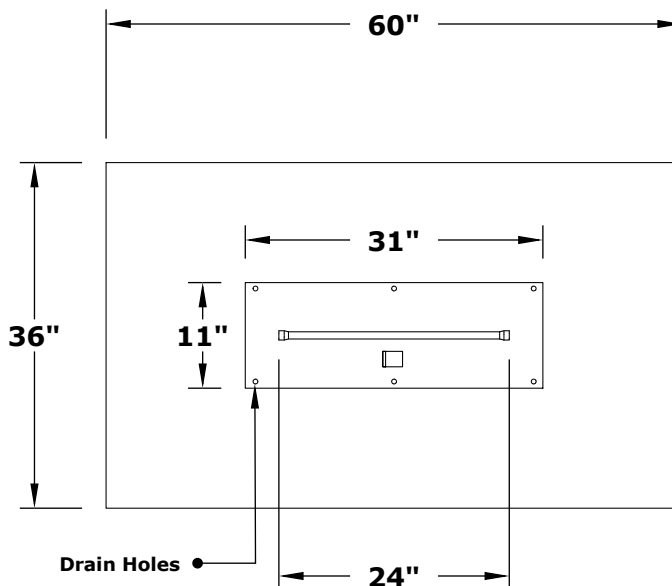


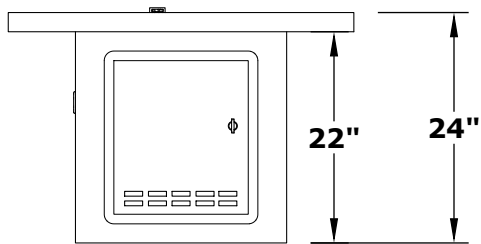
OUTBACK FIRE PIT



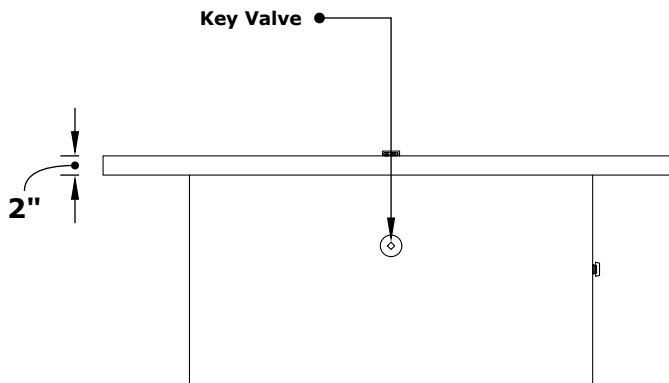
ISOMETRIC VIEW



TOP VIEW



RIGHT SIDE VIEW



FRONT SIDE VIEW

	Powder Coat Base	Corten Steel Base	BTU
Cattle Ranch Version	OPT-OBKR6036PC	OPT-OBKR6036CS	50,000
Deer Country Version	OPT-OBDC6036PC	OPT-OBDC6036CS	50,000

Fire Pit Material: GFRC Concrete + Powder Coat
Pan Material: 304 Stainless Steel
Burner Material: 304 Stainless Steel
Standard 2" Depth on all pans

110V ELECTRONIC IGNITION
ANSI Z21.97-(2017) / CSA 2.41-(2017)



Match Lit Unit Includes: Pan, Burner, Gas Orifice, Gas Hoses, Key Valve, Key,
110v Ignition Unit Includes: Pan, Burner, Gas Orifice, Gas Hoses, Key Valve, Key, Plug & Play Electronic Valve, Pilot Igniter.

Drawn By	Murguia M.
Date Created	June 2, 2021

OUTBACK FIRE PIT

Outback Fire Pit Design Cutouts

Door Design



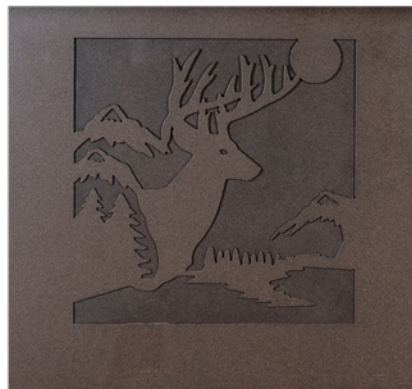
**Deer Country
Version Design**



**Cattle Ranch
Version Design**



**Design Opposite
From Door**



<i>Drawn By</i>	Murguia M.
<i>Date Created</i>	June 2, 2021