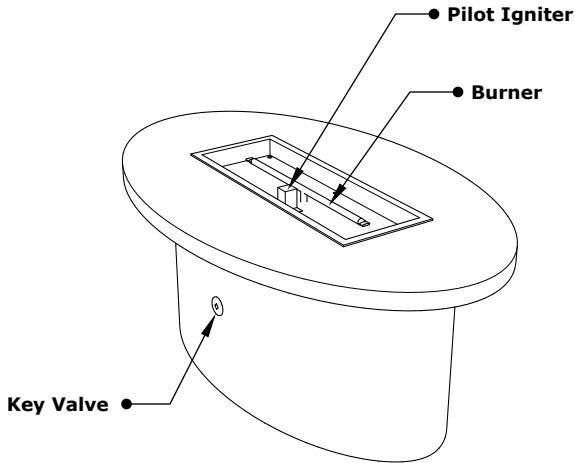
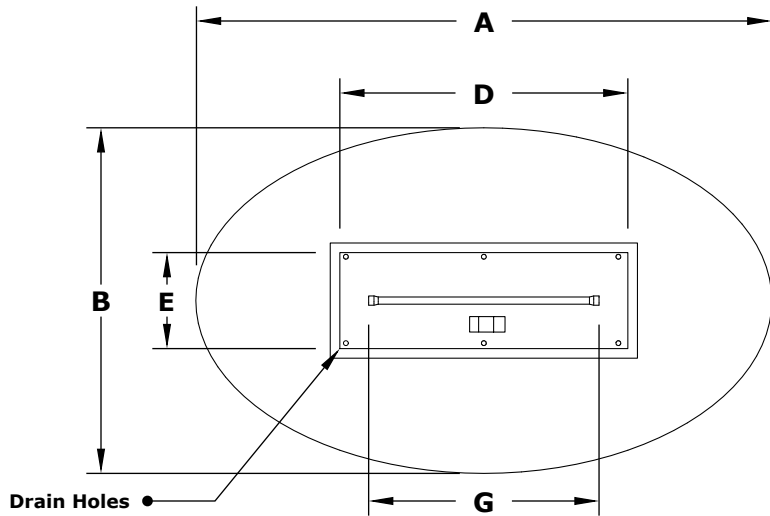


# VALLEJO FIRE TABLE

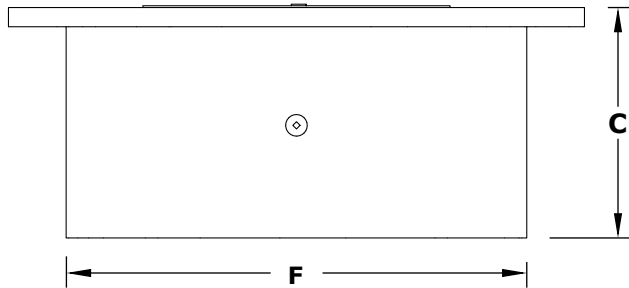
Hammered Copper, Corten Steel, Stainless Steel, Powder Coat



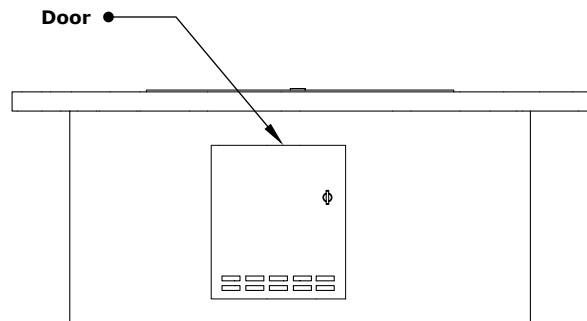
ISOMETRIC VIEW



TOP VIEW



BACK SIDE VIEW



FRONT SIDE VIEW

| Hammered Copper | Corten Steel | Stainless Steel | Powder Coat | A   | B   | C   | D   | E   | F   | G   | BTU    |
|-----------------|--------------|-----------------|-------------|-----|-----|-----|-----|-----|-----|-----|--------|
| OPT-VALCPR60    | OPT-VALCS60  | OPT-VALSS60     | OPT-VALPC60 | 60" | 36" | 24" | 30" | 10" | 48" | 24" | 40,000 |
| OPT-VALCPR72    | OPT-VALCS72  | OPT-VALSS72     | OPT-VALPC72 | 72" | 36" | 24" | 42" | 10" | 60" | 36" | 65,000 |

Fire Pit Material: Various Metals  
 Pan Material: 304 Stainless Steel  
 Burner Material: 304 Stainless Steel

Standard 1" Flange on all pans  
 Standard 2" Depth on all pans  
**110V ELECTRONIC IGNITION**  
 ANSI Z21.97-(2017) / CSA 2.41-(2017)



Match Lit Unit Includes: Pan, Burner, Gas Orifice, Gas Hoses, Key Valve, Key,  
 110v Ignition Unit Includes: Pan, Burner, Gas Orifice, Gas Hoses, Key Valve, Key, Plug & Play Electronic Valve, Pilot Igniter.

**Proprietary & Confidential:** The information contained in this drawing is the sole property of **The Outdoor Plus**. Any reproduction or as a whole without written permission of **The Outdoor Plus** is prohibited.