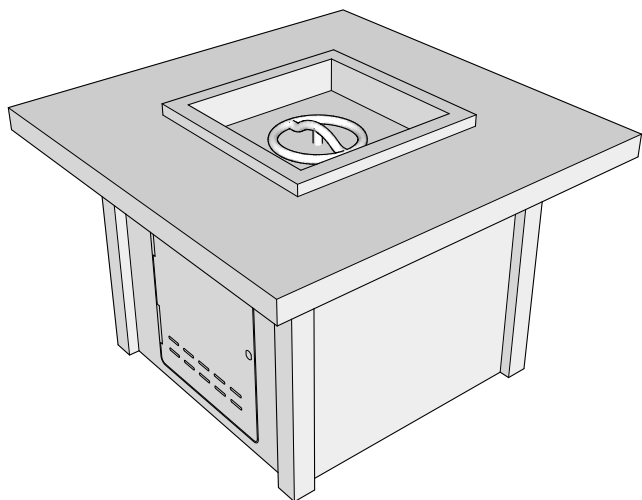
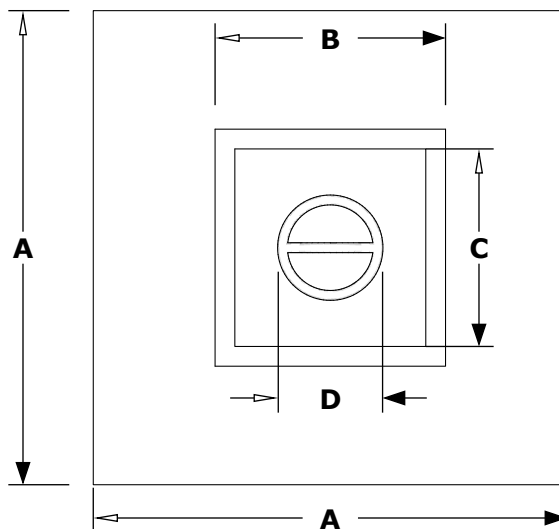


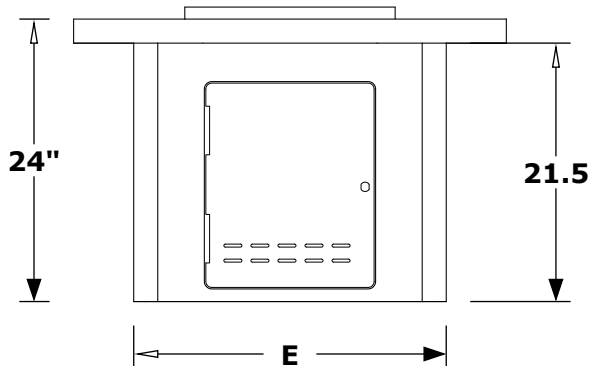
KAMOA FIRE TABLE - METAL



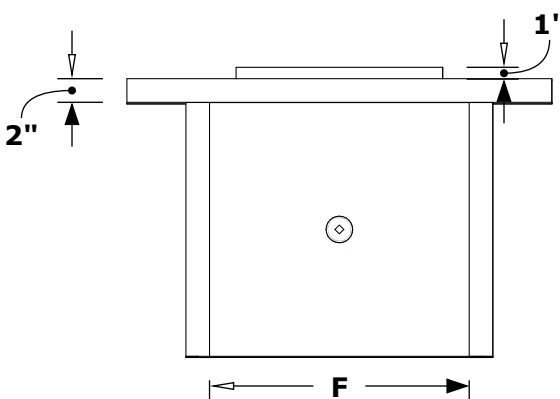
ISOMETRIC VIEW



TOP VIEW



RIGHT SIDE VIEW



FRONT SIDE VIEW

Size	Powder Coat	A	B	C	D	E	F	BTU
36"	OPT-KMAPC36	36"	17.5"	14.5"	8"	24"	20"	65,000
42"	OPT-KMAPC42	42"	17.5"	14.5"	8"	24"	20"	65,000
54"	OPT-KMAPC54	54"	23"	20"	12"	30"	26"	65,000

Fire Pit Material: Various Metals
Pan Material: 304 Stainless Steel
Burner Material: 304 Stainless Steel

Standard 1" Flange on all pans
Standard 2" Depth on all pans

110V ELECTRONIC IGNITION
ANSI Z21.97-(2017) / CSA 2.41-(2017)



Match Lit Unit Includes: Pan, Burner, Gas Orifice, Gas Hoses, Key Valve, Key,
110v Ignition Unit Includes: Pan, Burner, Gas Orifice, Gas Hoses, Key Valve, Key, Plug & Play Electronic Valve, Pilot Igniter.