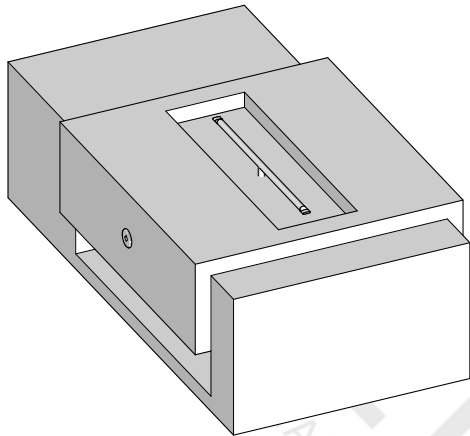
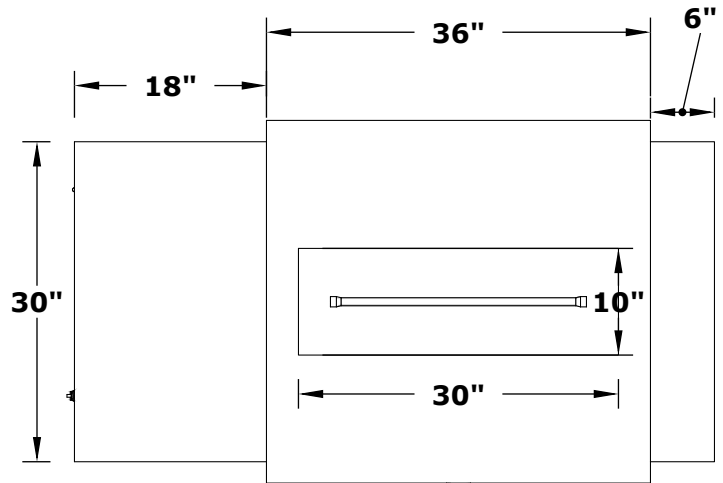


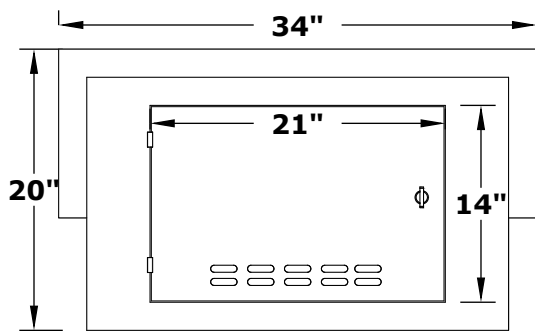
HARBOR FIRE PIT
POWDER COAT
OPT-HBR60PC



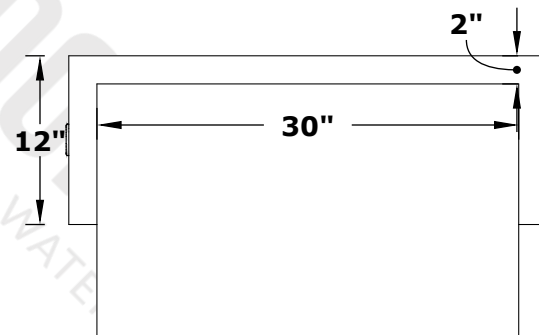
ISOMETRIC VIEW



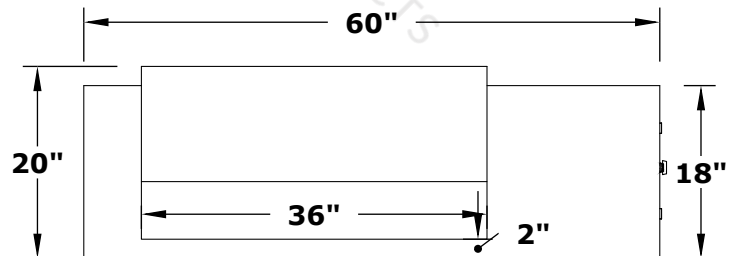
TOP VIEW



RIGHT SIDE VIEW



RIGHT SIDE VIEW



FRONT SIDE VIEW

Fire Pit Material: Powder Coat
 Pan Material: 304 Stainless Steel
 Burner Material: 304 Stainless Steel
 Standard 2" Depth on all pans
110V ELECTRONIC IGNITION
 ANSI Z21.97-(2017) / CSA 2.41-(2017)



Match Lit Unit Includes: Pan, Burner, Gas Orifice, Gas Hoses, Key Valve, Key,
 110v Ignition Unit Includes: Pan, Burner, Gas Orifice, Gas Hoses, Key Valve, Key, Plug & Play Electronic Valve, Pilot Igniter.

<i>Drawn By</i>	Madeline S.
<i>Date Created</i>	November 11, 2022