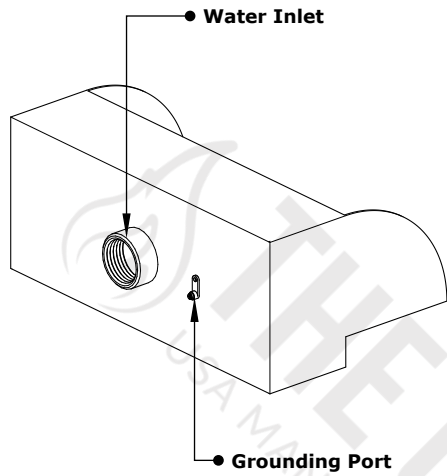
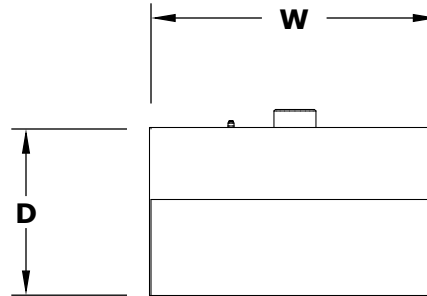


SMOOTH FLOW RADIUS STYLE SCUPPER

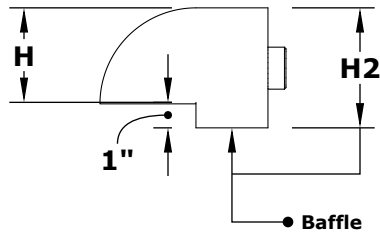
STAINLESS STEEL / COPPER



ISOMETRIC VIEW



TOP VIEW



RIGHT SIDE VIEW



FRONT SIDE VIEW

PART NUMBER	W	H	H2	D	Inlets
OPT-SFR8	8"	4"	5"	7"	1 Inlet
OPT-SFR12	12"	4"	5"	7"	1 Inlet
OPT-SFR24	24"	4"	5"	7"	2 Inlets
OPT-SFR36	36"	4"	5"	7"	3 Inlets
OPT-SFR48	48"	4"	5"	7"	3 Inlets

Scupper Material: 316 Stainless Steel / Copper

Drawn By	Murguia M.
Date Created	January 13, 2022

Proprietary & Confidential: The information contained in this drawing is the sole property of The Outdoor Plus. Any reproduction or as a whole without written permission of The Outdoor Plus is prohibited.