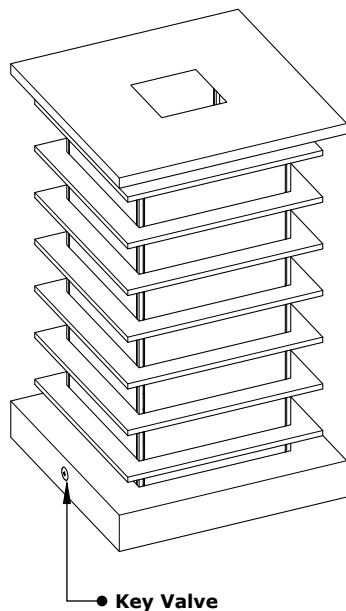
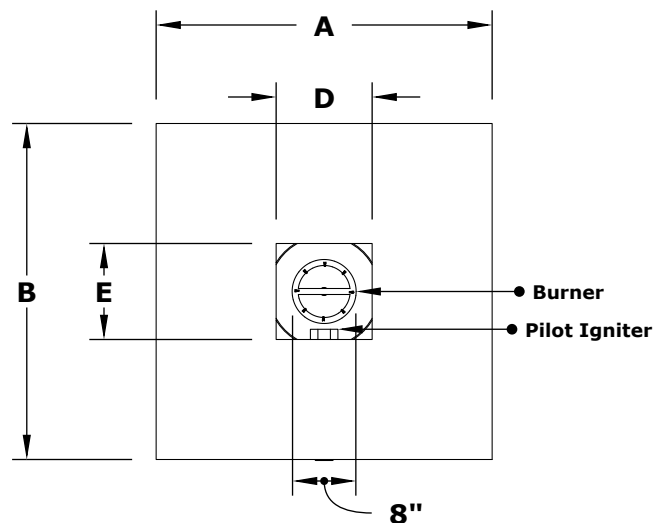


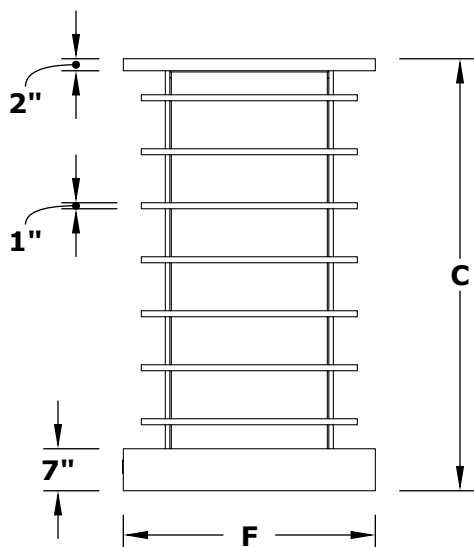
HIGH-RISE FIRE TOWER



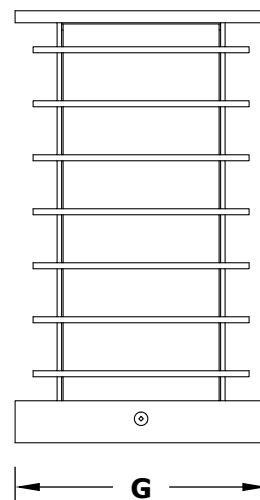
ISOMETRIC VIEW



TOP VIEW



RIGHT SIDE VIEW



FRONT SIDE VIEW

PART NUMBER	A	B	C	D	E	F	G	BTU
OPT-FTWR628	28"	28"	72"	12"	12"	28"	28"	40,000
OPT-FTWR628EKIT	28"	28"	72"	12"	12"	28"	28"	40,000
OPT-FTWR642	42"	42"	72"	18"	18"	42"	42"	40,000
OPT-FTWR642EKIT	42"	42"	72"	18"	18"	42"	42"	40,000

Fire Pit Material: Powder Coat
Pan Material: 304 Stainless Steel
Burner Material: 304 Stainless Steel

Standard 1" Depth on all pans
Standard 2" Depth on all pans
110V ELECTRONIC IGNITION
ANSI Z21.97-(2017) / CSA 2.41-(2017)



Match Lit Unit Includes: Pan, Burner, Gas Orifice, Gas Hoses, Key Valve, Key,
110v Ignition Unit Includes: Pan, Burner, Gas Orifice, Gas Hoses, Key Valve, Key, Plug & Play Electronic Valve, Pilot Igniter.