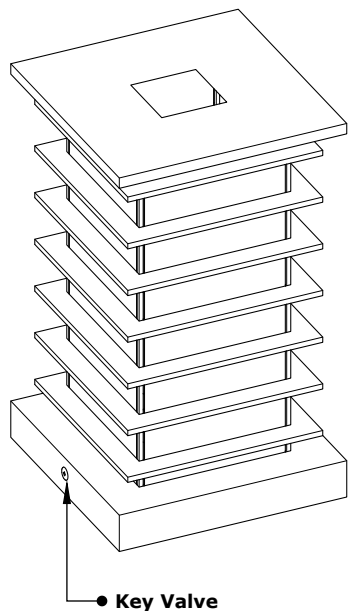
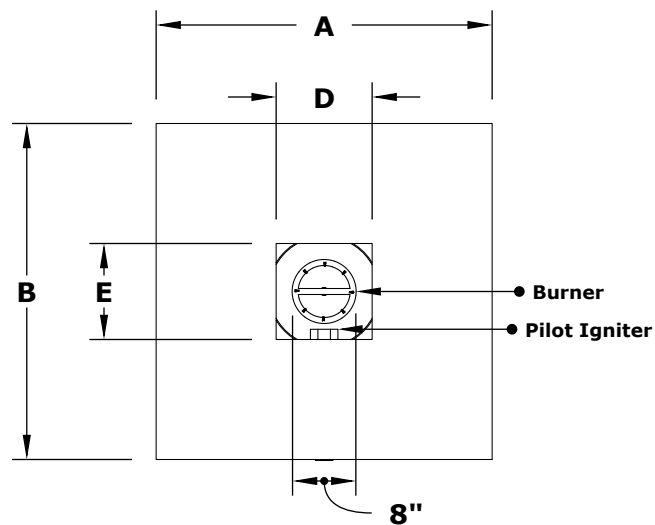


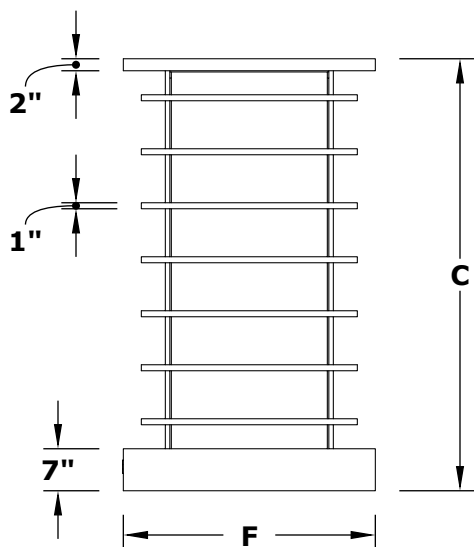
# HIGH-RISE FIRE TOWER



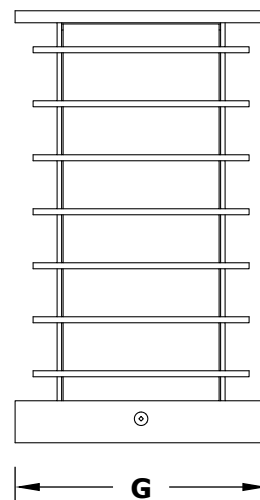
**ISOMETRIC VIEW**



**TOP VIEW**



**RIGHT SIDE VIEW**



**FRONT SIDE VIEW**

PART NUMBER	A	B	C	D	E	F	G	BTU
OPT-FTWR528	28"	28"	72"	12"	12"	28"	28"	40,000
OPT-FTWR528EKIT	28"	28"	72"	12"	12"	28"	28"	40,000
OPT-FTWR542	42"	42"	72"	18"	18"	42"	42"	40,000
OPT-FTWR542EKIT	42"	42"	72"	18"	18"	42"	42"	40,000

Fire Pit Material: Stainless Steel  
Pan Material: 304 Stainless Steel  
Burner Material: 304 Stainless Steel

Standard 1" Depth on all pans  
Standard 2" Depth on all pans  
**110V ELECTRONIC IGNITION**  
ANSI Z21.97-(2017) / CSA 2.41-(2017)



Match Lit Unit Includes: Pan, Burner, Gas Orifice, Gas Hoses, Key Valve, Key,  
110v Ignition Unit Includes: Pan, Burner, Gas Orifice, Gas Hoses, Key Valve, Key, Plug & Play Electronic Valve, Pilot Igniter.