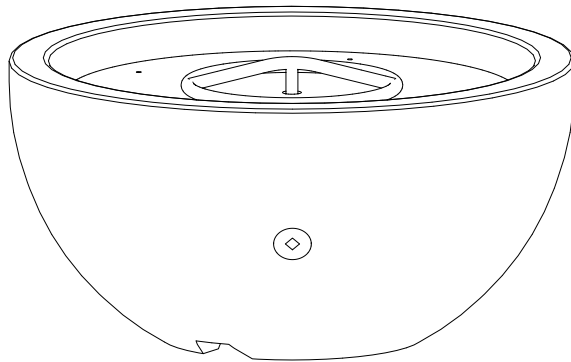
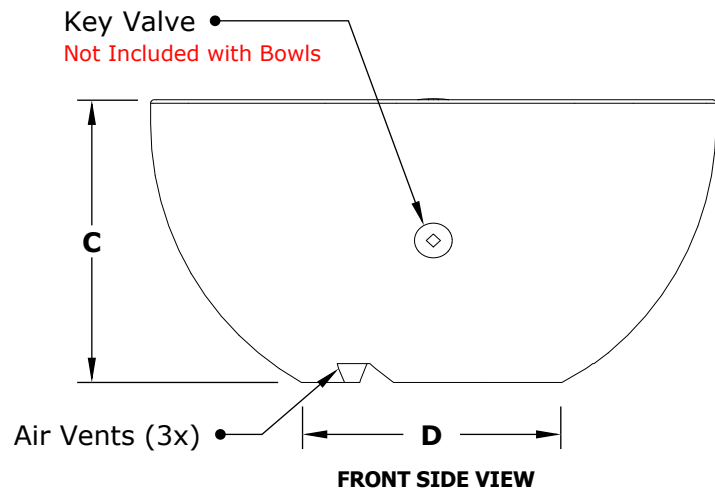


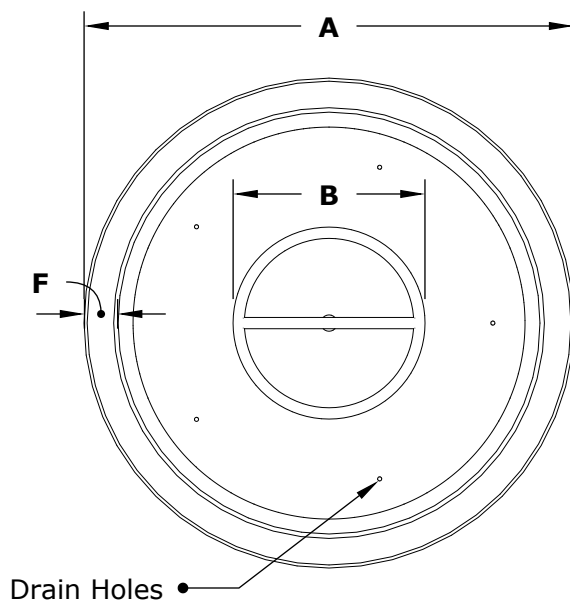
LUNA FIRE BOWL Powder Coat



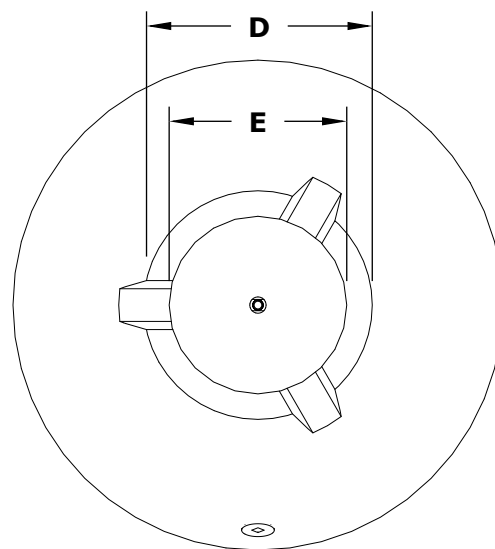
ISOMETRIC VIEW



FRONT SIDE VIEW



TOP SIDE VIEW



TOP SIDE VIEW

SKU	A	B	C	D	E	F	BTU
OPT-LUNFOPC30	30"	10"	15"	14"	10"	2"	65,000
OPT-LUNFOPC30E12V	30"	10"	15"	14"	10"	2"	65,000
OPT-LUNFOPC38	38"	12"	16"	22"	17"	2.5"	65,000
OPT-LUNFOPC38E12V	38"	12"	16"	22"	17"	2.5"	65,000

Fire Pit Material: Metal Powder Coat
Pan Material: 304 Stainless Steel
Burner Material: 304 Stainless Steel

12V/110V ELECTRONIC IGNITION
ANSI Z21.97-(2017) / CSA 2.41-(2017)



Includes: Pan, Burner, Key Valve, Whistle Free Hoses, Black Lava Rock.