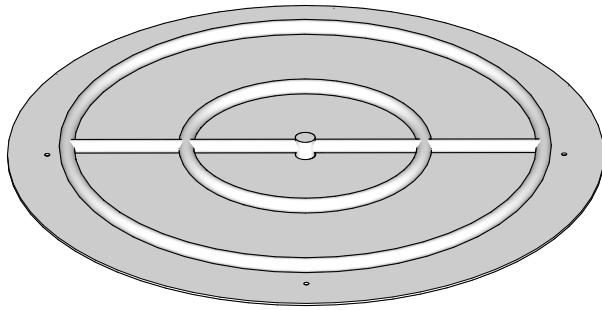
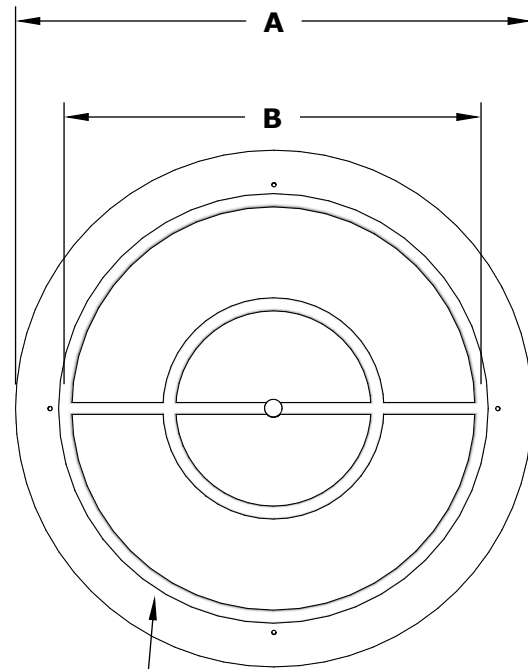


# ROUND PAN & BURNER [FIRE GLOW] COMPLETE PAVER KIT



**ISOMETRIC VIEW**



Drain Holes

**TOP VIEW**



**SIDE VIEW**

<b>Stainless Steel</b>	<b>A</b>	<b>B</b>	<b>INLET</b>	<b>BTU</b>
OPT-RKT18FG	18"	12" (1R)	1/2"	70,000
OPT-RKT242FG	24"	12" (2R)	1/2"	70,000
OPT-RKT24FG	24"	18" (2R)	1/2"	110,000
OPT-RKT282FG	28"	18" (2R)	1/2"	110,000
OPT-RKT28FG	28"	24" (2R)	1/2"	145,000
OPT-RKT29FG	29"	24" (2R)	1/2"	145,000
OPT-RKT30FG	30"	24" (2R)	1/2"	145,000
OPT-RKT36FG	36"	30" (3R)	3/4"	180,000
OPT-RKT39FG	39"	30" (3R)	3/4"	180,000

Pan Material: Aluminum  
Burner Material: Stainless Steel  
Ignition Type: Fire Glow

Includes: Fire Pan, SS Burner, Fire Glow Ignition System, Orifice, Fittings, Flex Line, Key Valve, Key, Paver Bracket, Vents, 24" Z-Mounting Brackets

R= Ring M = Manifold