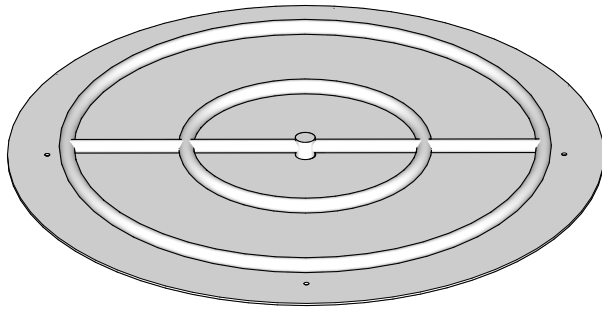
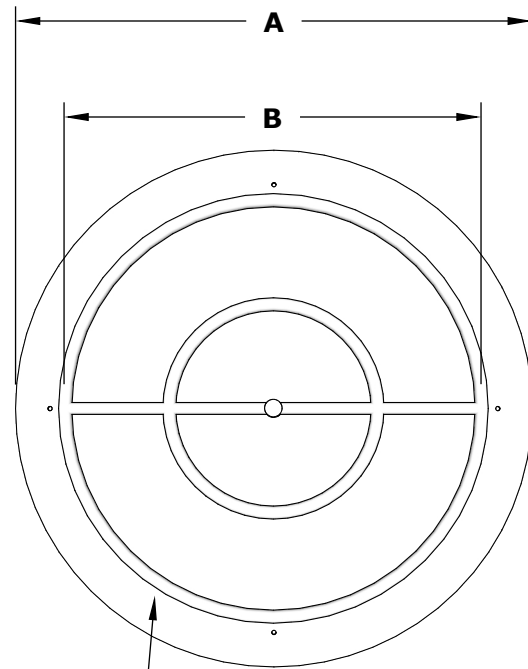


ROUND PAN & BURNER [LOW VOLTAGE] COMPLETE PAVER KIT



ISOMETRIC VIEW



Drain Holes

TOP VIEW



SIDE VIEW

Stainless Steel	A	B	INLET	BTU
OPT-RKT18E12	18"	12" (1R)	1/2"	70,000
OPT-RKT242E12	24"	12" (2R)	1/2"	70,000
OPT-RKT24E12	24"	18" (2R)	1/2"	110,000
OPT-RKT282E12	28"	18" (2R)	1/2"	110,000
OPT-RKT28E12	28"	24" (2R)	1/2"	145,000
OPT-RKT29E12	29"	24" (2R)	1/2"	145,000
OPT-RKT30E12	30"	24" (2R)	1/2"	145,000
OPT-RKT36E12	36"	30" (3R)	3/4"	180,000
OPT-RKT39E12	39"	30" (3R)	3/4"	180,000

Pan Material: Aluminum
Burner Material: Stainless Steel
Ignition Type: Low Voltage

Includes: Fire Pan, SS Burner, Low Voltage Ignition System, Orifice, Fittings, Flex Line, Key Valve, Key, Paver Bracket, Vents, 24" Z-Mounting Brackets

R= Ring M = Manifold