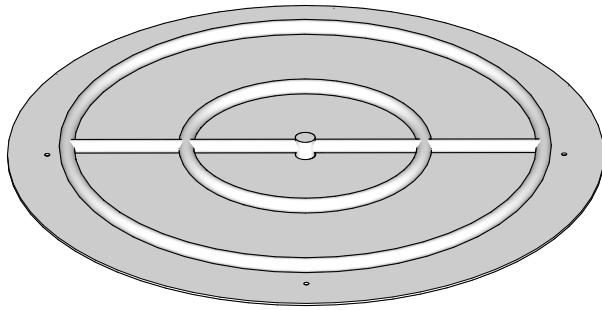
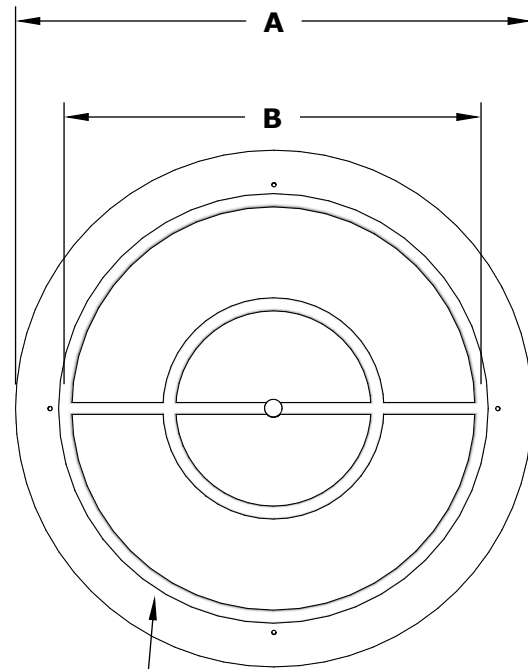


ROUND PAN & BURNER [PLUG & PLAY] COMPLETE PAVER KIT



ISOMETRIC VIEW



Drain Holes

TOP VIEW



SIDE VIEW

Stainless Steel	A	B	INLET	BTU
OPT-RKT18E110	18"	12" (1R)	1/2"	70,000
OPT-RKT242E110	24"	12" (2R)	1/2"	70,000
OPT-RKT24E110	24"	18" (2R)	1/2"	110,000
OPT-RKT282E110	28"	18" (2R)	1/2"	110,000
OPT-RKT28E110	28"	24" (2R)	1/2"	145,000
OPT-RKT29E110	29"	24" (2R)	1/2"	145,000
OPT-RKT30E110	30"	24" (2R)	1/2"	145,000
OPT-RKT36E110	36"	30" (3R)	3/4"	180,000
OPT-RKT39E110	39"	30" (3R)	3/4"	180,000

Pan Material: Aluminum
Burner Material: Stainless Steel
Ignition Type: Plug & Play

Includes: Fire Pan, SS Burner, Plug & Play Ignition System, Orifice, Fittings, Flex Line, Key Valve, Key, Paver Bracket, Vents, 24" Z-Mounting Brackets

R= Ring M = Manifold