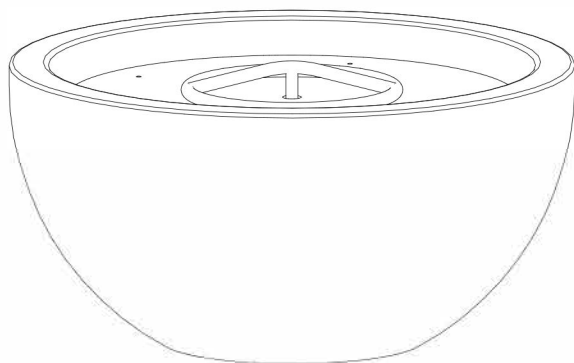
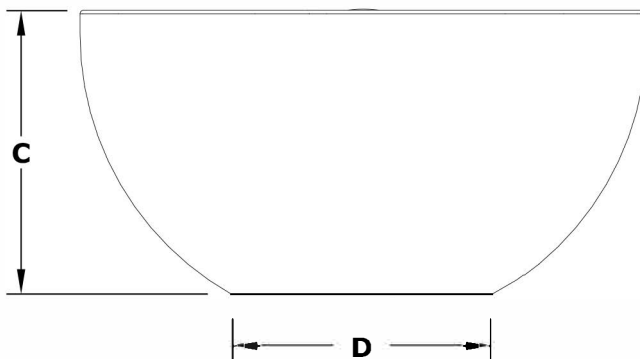


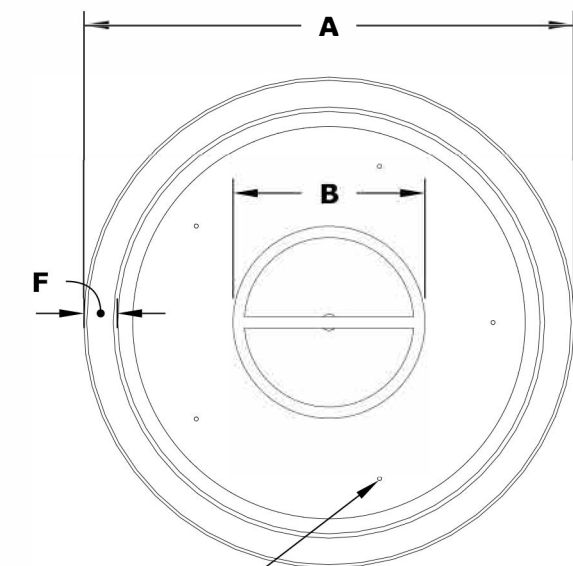
# LUNA FIRE BOWL - GFRC CONCRETE



**ISOMETRIC VIEW**

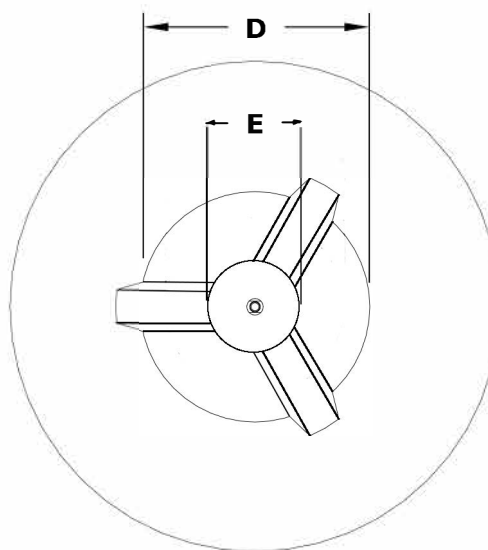


**FRONT SIDE VIEW**



Drain Holes

**TOP SIDE VIEW**



**TOP SIDE VIEW**

SKU	A	B	C	D	E	F	BTU
OPT-LUNFO30	30"	8"	15"	14"	3 1/4"	2"	65,000
OPT-LUNFO30E12V	38"	12"	16"	14"	3 1/4"	2.5"	65,000

Fire Pit Material: GFRC Concrete  
Finish: Smooth Finish  
Pan Material: 304 Stainless Steel  
Burner Material: 304 Stainless Steel

**12V/110V ELECTRONIC IGNITION**  
ANSI Z21.97-(2017) / CSA 2.41-(2017)



Includes: Pan, Burner, Whistle Free Hoses, Black Lava Rock.

**Note:** Key valves are not included, must be ordered separately.