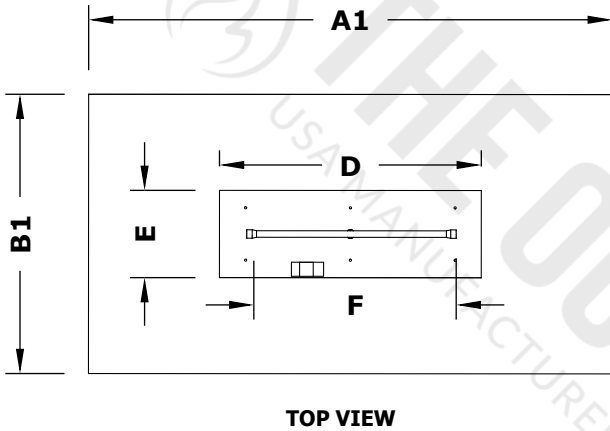


FREMONT FIRE PIT

Copper / Corten Steel / Stainless Steel / Powder Coated

SPECIFICATION

COPPER	CORTEN STEEL	STAINLESS STEEL	POWDER COATED	A1	A2	B1	B2	C	D	E	F	BTU
OPT-FRMCP4815	OPT-FRMCS4815	OPT-FRMSS4815	OPT-FRMPC4815	48"	36"	32"	20"	15"	30"	10"	24"	40,000
OPT-FRMCP6015	OPT-FRMCS6015	OPT-FRMSS6015	OPT-FRMPC6015	60"	48"	32"	20"	15"	42"	10"	36"	60,000
OPT-FRMCP7215	OPT-FRMCS7215	OPT-FRMSS7215	OPT-FRMPC7215	72"	60"	32"	20"	15"	54"	10"	48"	80,000
OPT-FRMCP8415	OPT-FRMCS8415	OPT-FRMSS8415	OPT-FRMPC8415	84"	72"	32"	20"	15"	66"	10"	60"	100,000



Gas Requirements

Gas Type: Natural Gas or Propane
Gas Inlet: 1/2" NPT Female
Total BTU: 65K - 125K

*All Match Lit Units up to 65K BTU are LC Certified
 **All Electronic Units are CSA Certified



What's Included?

Match Lit Unit:

- Fire Pan, Burner, Gas Orifice, Gas Hose, Key Valve with Key

Low Voltage Unit:

- Fire Pan, Burner, Gas Orifice, Gas Hose, Key Valve with Key, Low Voltage Electronic Valve, Pilot Ignitor

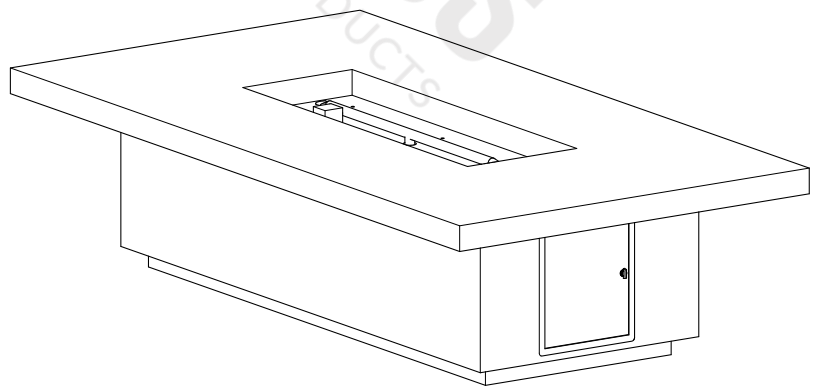
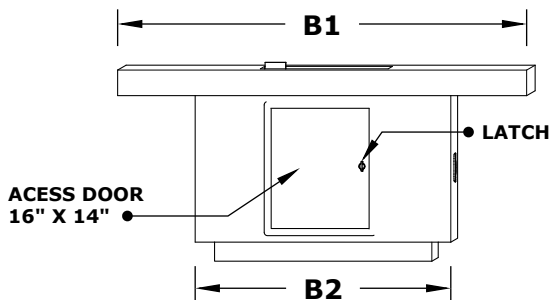
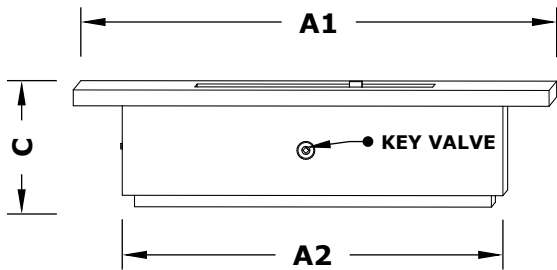
Plug & Play Unit:

- Fire Pan, Burner, Gas Orifice, Gas Hose, Key Valve with Key, Plug & Play Electronic Valve, Pilot Ignitor

110V ELECTRONIC IGNITION

ANSI Z21.97-(2017) / CSA 2.41-(2017)

Standard 2" Depth on all pans



Drawn By	Mia L.
Date Created	July 24, 2023