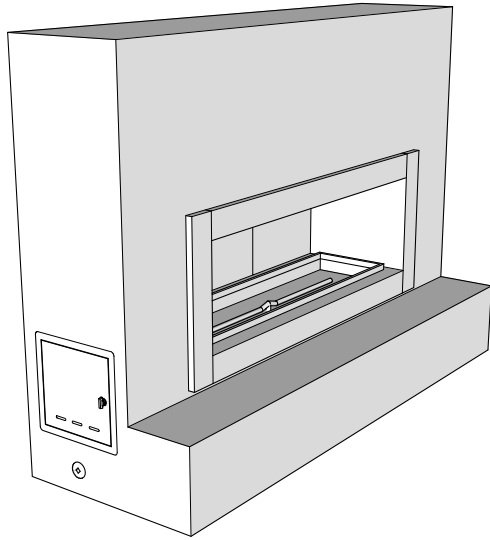
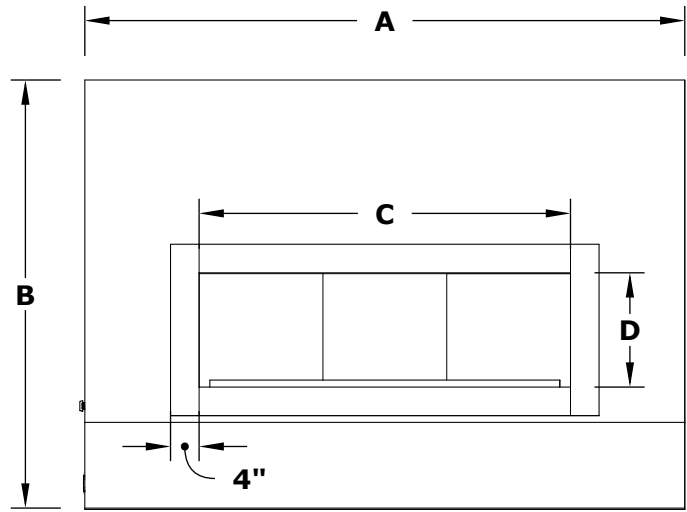


# The Huntington RTF Fireplace

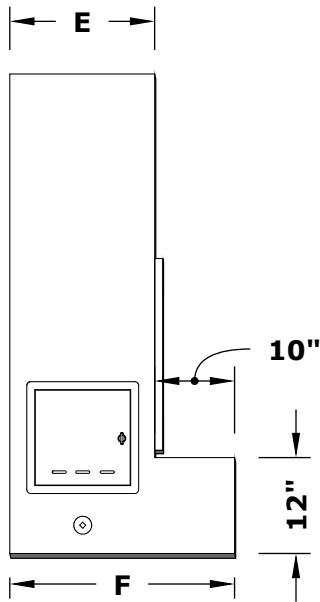
Ready-To-Finish



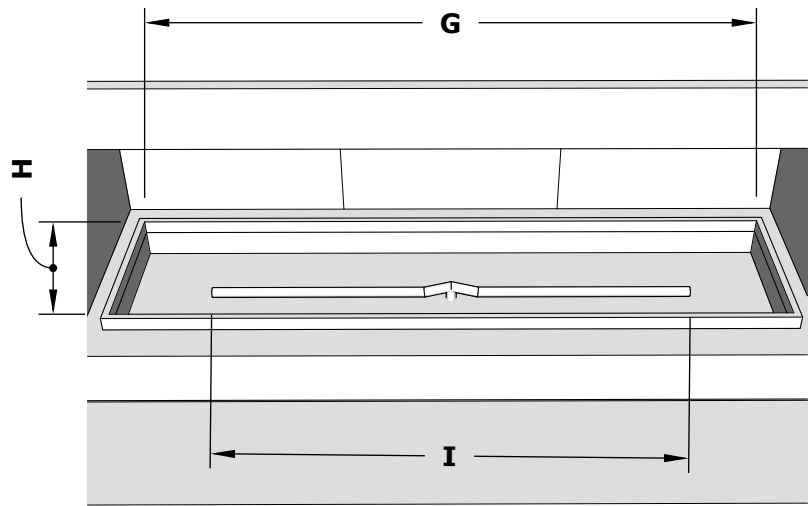
ISOMETRIC VIEW



FRONT SIDE VIEW



TOP SIDE VIEW



PART NUMBER	A	B	C	D	E	F	G	H	I
OPT-HUNTRTF84	84"	60"	52"	24"	18"	28"	36"	12"	30"
OPT-HUNTRTF96	96"	60"	64"	24"	18"	28"	48"	12"	40"
OPT-HUNTRTF108	108"	60"	76"	24"	18"	28"	60"	12"	52"
OPT-HUNTRTF120	120"	60"	88"	42"	18"	28"	72"	12"	62"

Fire Pit Material: Metal  
 Pan Material: 304 Stainless Steel  
 Burner Material: 304 Stainless Steel  
 Standard 2" Depth on all pans

Match Lit Unit Includes: Pan, Burner, Gas Orifice, Gas Hoses, Key Valve, Key,  
 110v Ignition Unit Includes: Pan, Burner, Gas Orifice, Gas Hoses, Key Valve, Key, Plug & Play Electronic Valve, Pilot Igniter.



Proprietary & Confidential: The information contained in this drawing is the sole property of The Outdoor Plus. Any reproduction or as a whole without written permission of The Outdoor Plus is prohibited.