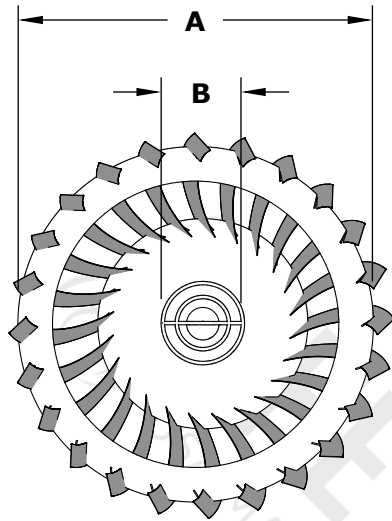
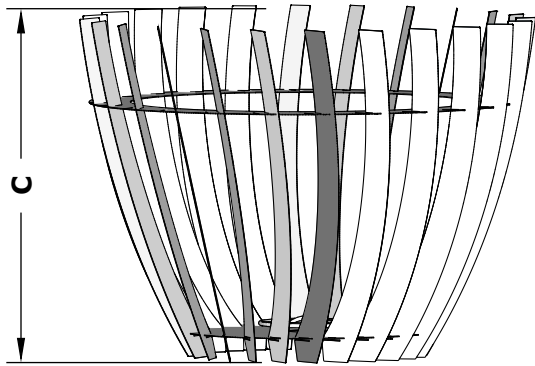


The Aurora Fire Sculpture

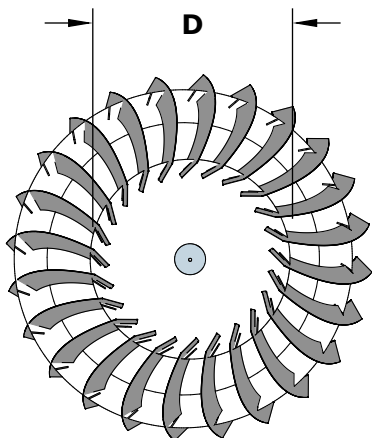
Metal - Powder Coat/ Corten Steel/ Stainless Steel



TOP VIEW



FRONT SIDE VIEW



BOTTOM VIEW

SPECIFICATION

PART NUMBER	A	B	C	D	BTU
TFL-AUR36	36"	18"	36"	26"	160K
TFL-AUR48	48"	24"	36"	38"	190K

Gas Requirements

Gas Type: Natural Gas or Propane
Gas Inlet: 1/2" NPT Female

*All Match Lit Units up to 65K BTU are LC Certified
**All Electronic Units are CSA Certified



What's Included?

Match Lit Unit:

- Fire Pan, Burner, Gas Orifice, Gas Hose, Key Valve with Key

Low Voltage Unit:

-Fire Pan, Burner, Gas Orifice, Gas Hose, Key Valve with Key, Low Voltage Electronic Valve, Pilot Ignitor

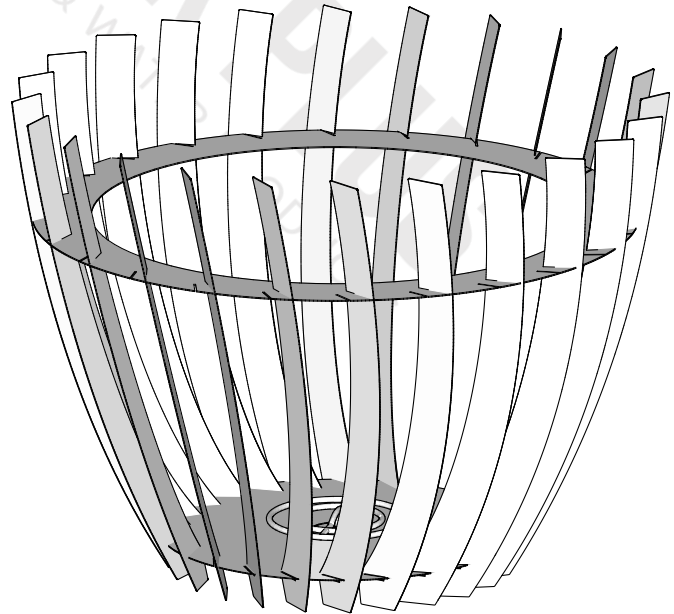
Plug & Play Unit:

-Fire Pan, Burner, Gas Orifice, Gas Hose, Key Valve with Key, Plug & Play Electronic Valve, Pilot Ignitor

-110V ELECTRONIC IGNITION

ANSI Z21.97-(2017) / CSA 2.41-(2017)

Standard 2" Depth on all pans



ISOMETRIC VIEW

Drawn By	Mia L.
Date Created	July 20, 2023