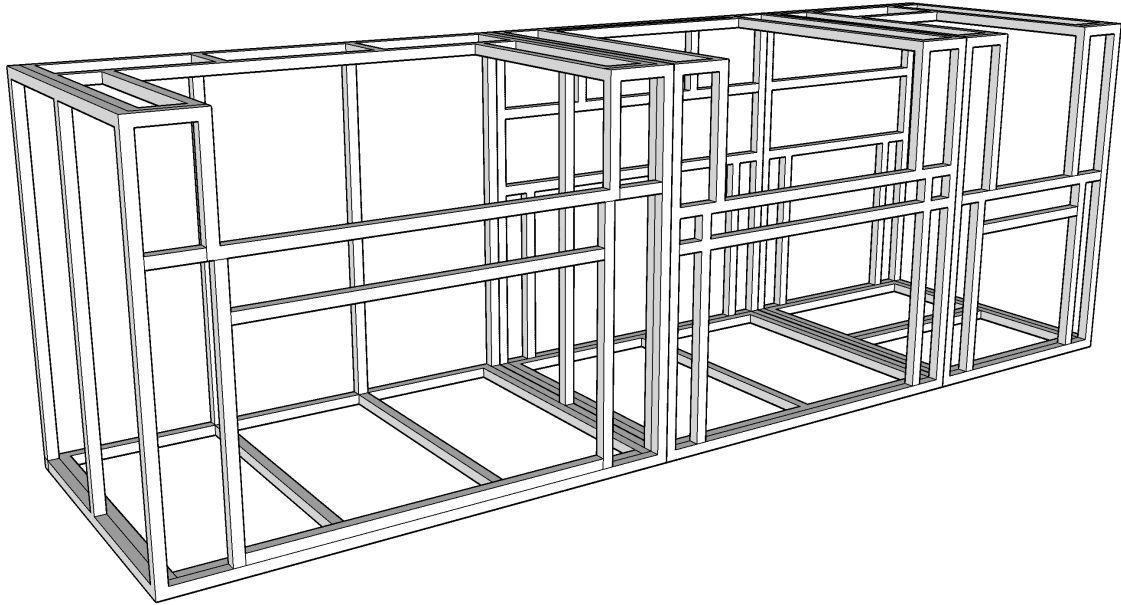




3-ISLAND BBQ

ASSEMBLY INSTRUCTIONS



Includes:

H Bar

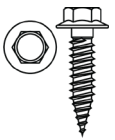
Front Panel

Back Panel

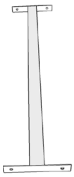
Side Panel

Top Panel

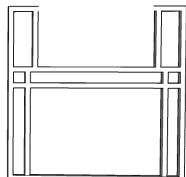
Tools Needed:



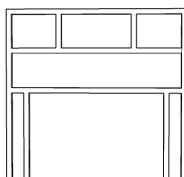
42x*



2x



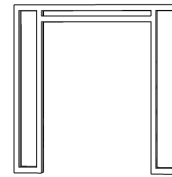
3x



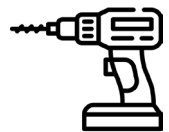
3x



2x



3x



Drill or Impact Driver

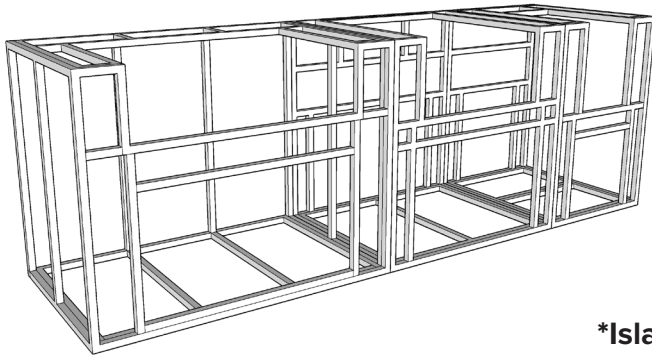


**WATCH
ON
YouTube**

*Amount of self tapping screws may vary.

*Islands may vary. General Instructions remain the same.

1. 2. 3.



KD BBQ ISLAND

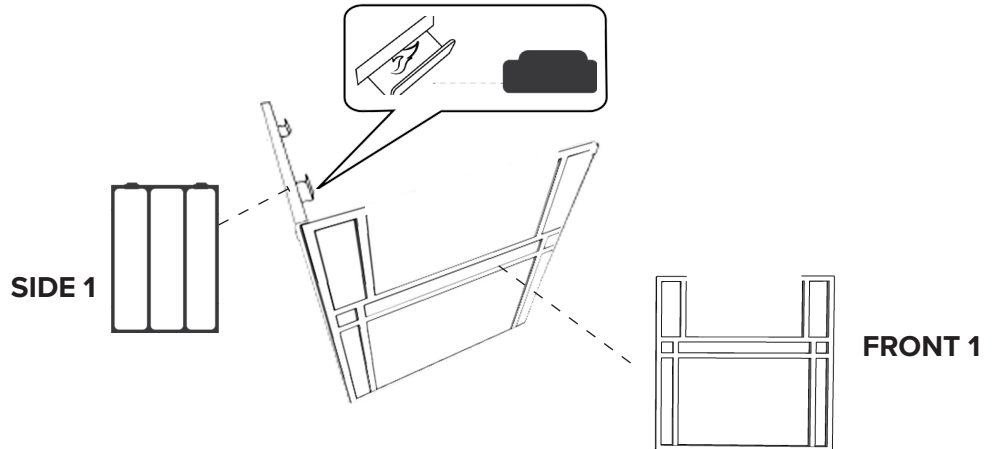
- 1. 36" Diamond Series DG-4B36 [LP/NG]
- 2. 30" Diamond Griddle DG-G30 [LP/NG]
- 3. 24" Island DG-24FCI

- 1. 48" Island
- 2. 36" Island
- 3. 24" Island

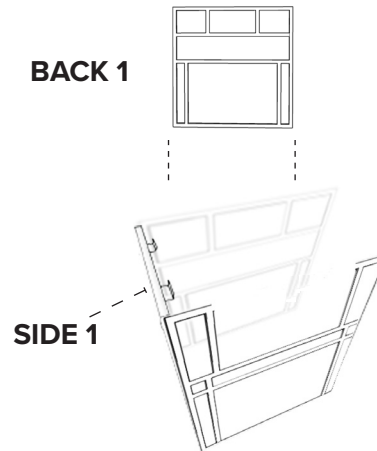
*Islands may vary. General Instructions remain the same.

- 1. Start by securing one corner of the BBQ Island. Connect "FRONT 1" with "SIDE 1" at a right angle.

Make sure to place the brackets on the inside, facing upwards.

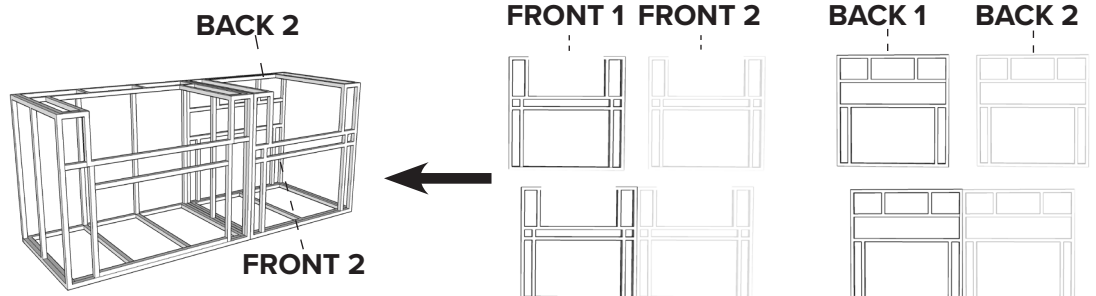


- 2. Attach "BACK 1" to "SIDE 1" at a right angle.



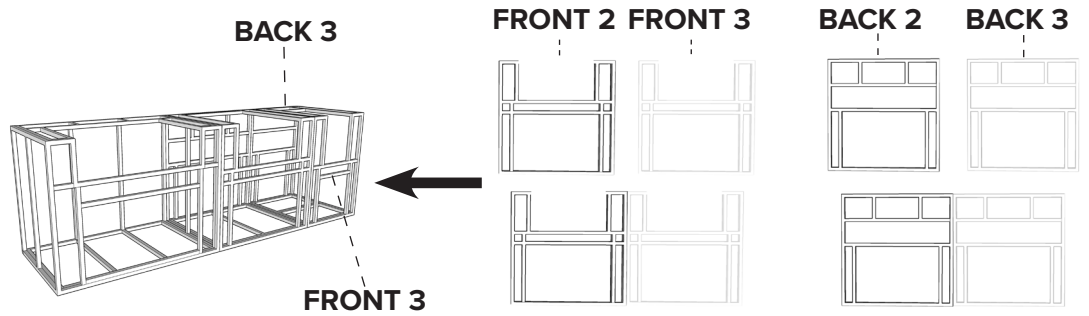
- 3. Connect "BACK 2" to "BACK 1" side-by-side.

Then connect "FRONT 2" to "FRONT 1" side-by-side.



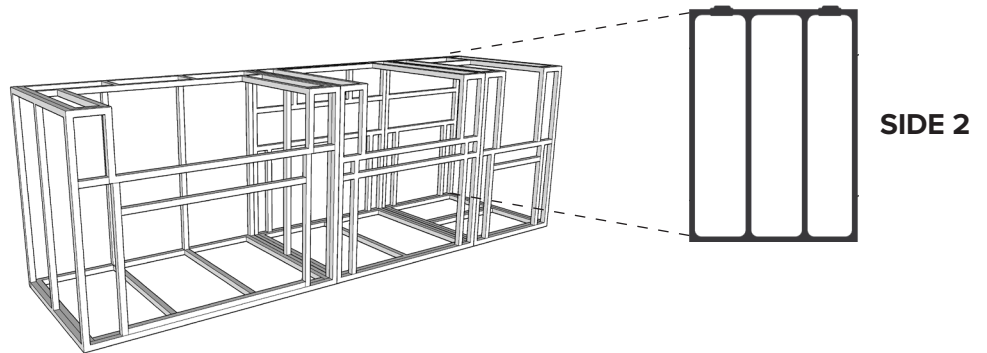
- 4.** Connect “BACK 3” to “BACK 2” side-by-side.

Then connect “FRONT 3” to “FRONT 2” side-by-side.



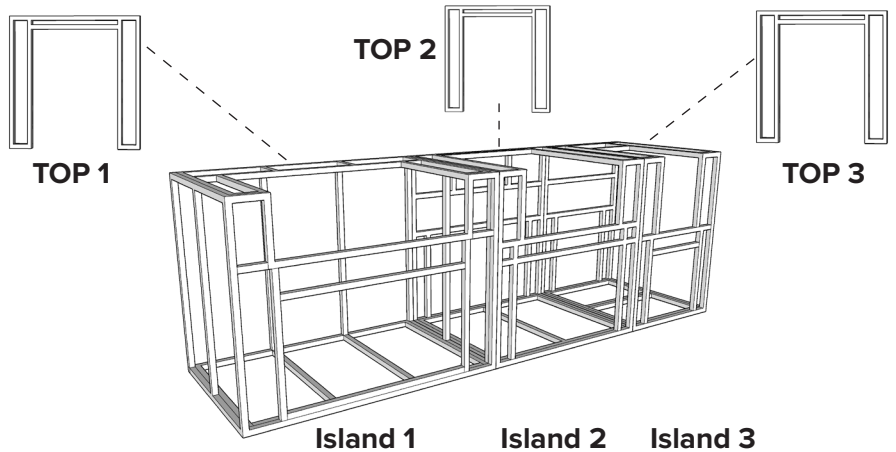
- 5.** Connect one end of “SIDE 2” to “BACK 3” forming a right angle.

Then, connect the other end of “SIDE 2” to “FRONT 3” also at a right angle.

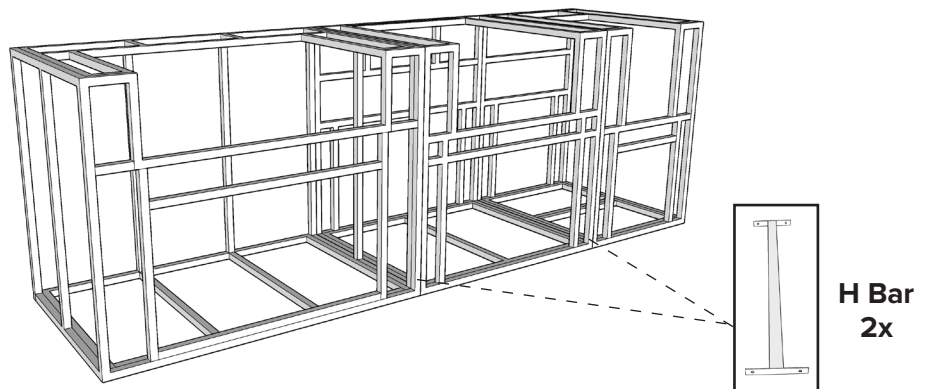


- 6.** Place “TOP 1” on top of “Island 1” with the panel’s opening towards the front.

Repeat this for “TOP 2” and “TOP 3,” putting each panel on its corresponding island with the openings facing the front.



- 7.** Place an “H Bar” horizontally between the islands.



- 8.** Ensure ALL panels are placed correctly and screwed together.

