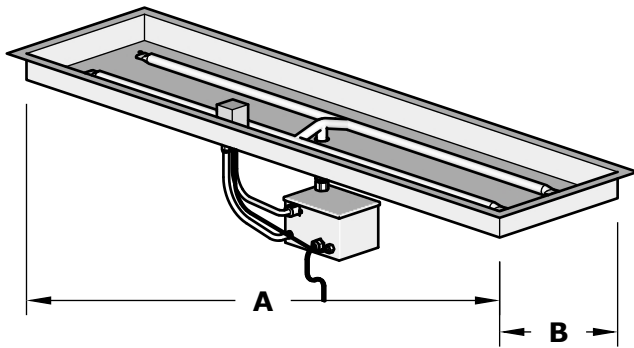
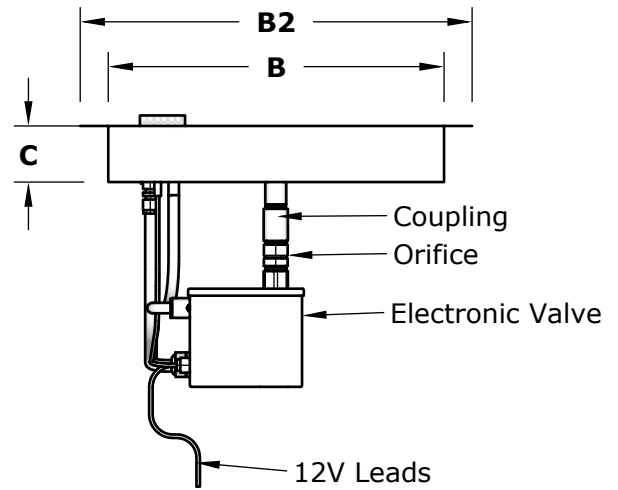


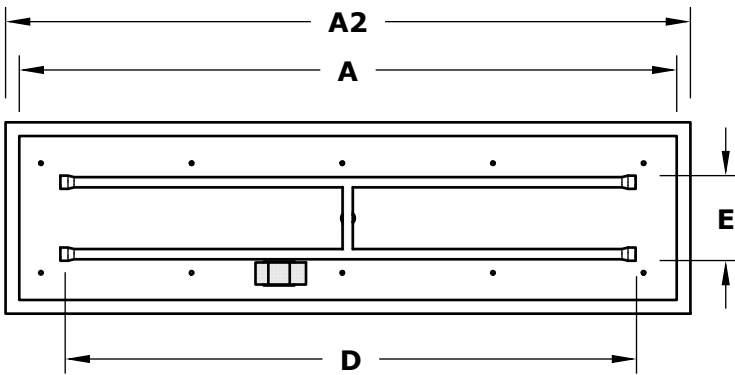
SS DROP IN PAN & SS 'H' BURNER 12V IGNITION



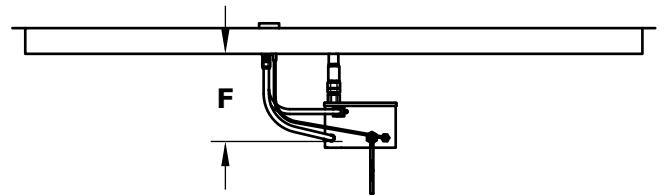
ISOMETRIC VIEW



RIGHT SIDE VIEW



TOP VIEW



FRONT SIDE VIEW

Pan Material: 304 Stainless Steel
Burner Material: 304 Stainless Steel
Ignition Type: 12V Electronic Ignition
(12V Transformer Included)

Standard 1" Flange on all pans
Standard 2" Depth on all pans

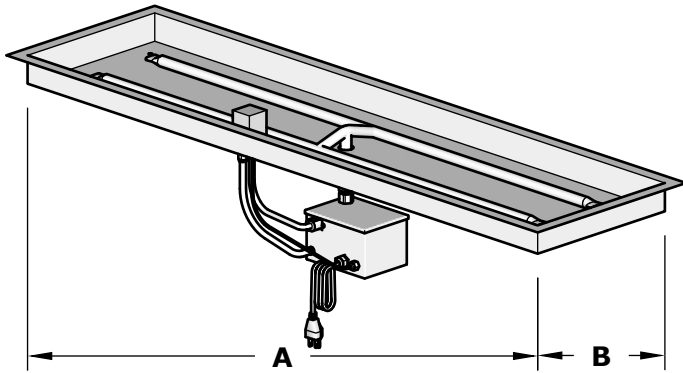
12V ELECTRONIC IGNITION
ANSI Z21.97-(2017) / CSA 2.41-(2017)

SKU	A	A2	B	B2	C	D	E	F	BTU
OPT-PB1436E12	36"	38"	14"	38"	2"	30"	6"	10"	60,000
OPT-PB1442E12	44"	44"	14"	44"	2"	36"	6"	10"	120,000

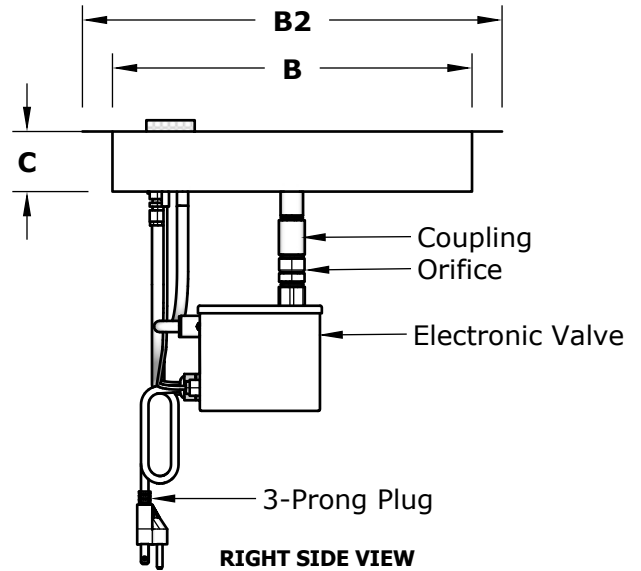


Includes: Pan, Burner, Electronic Valve, Pilot Igniter. 12V Transformer.

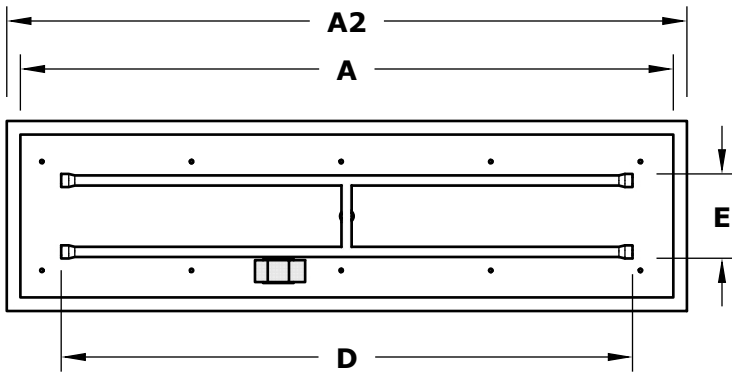
SS DROP IN PAN & SS 'H' BURNER PLUG & PLAY



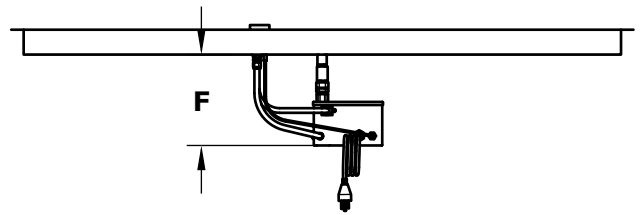
ISOMETRIC VIEW



RIGHT SIDE VIEW



TOP VIEW



FRONT SIDE VIEW

Pan Material: 304 Stainless Steel
Burner Material: 304 Stainless Steel
Ignition Type: 110V Electronic Ignition

Standard 1" Flange on all pans
Standard 2" Depth on all pans

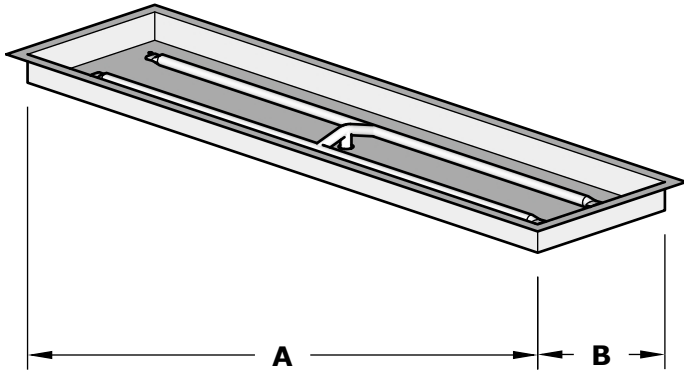
110V ELECTRONIC IGNITION
ANSI Z21.97-(2017) / CSA 2.41-(2017)

SKU	A	A2	B	B2	C	D	E	F	BTU
OPT-PB1436EKIT	36"	38"	14"	38"	2"	30"	6"	10"	60,000
OPT-PB1442EKIT	44"	44"	14"	44"	2"	36"	6"	10"	120,000

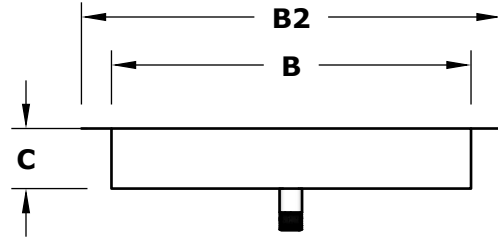


Includes: Pan, Burner, Electronic Valve, Pilot Igniter

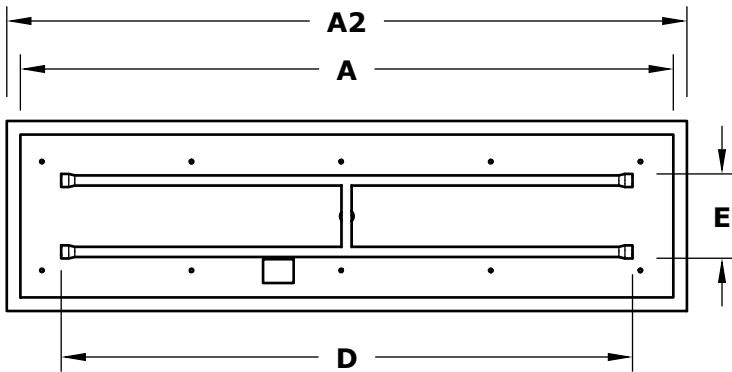
SS DROP IN PAN & SS 'H' BURNER MATCH LIT IGNITION



ISOMETRIC VIEW



RIGHT SIDE VIEW



TOP VIEW



FRONT SIDE VIEW

Pan Material: 304 Stainless Steel
 Burner Material: 304 Stainless Steel
 Ignition Type: Match Lit Ignition

Standard 1" Flange on all pans
 Standard 2" Depth on all pans

SKU	A	A2	B	B2	C	D	E	F	BTU
OPT-PB1436	36"	38"	14"	38"	2"	30"	6"	10"	60,000
OPT-PB1442	44"	44"	14"	44"	2"	36"	6"	10"	120,000

Includes: Pan, Burner. (NG or LP kits are sold separately)