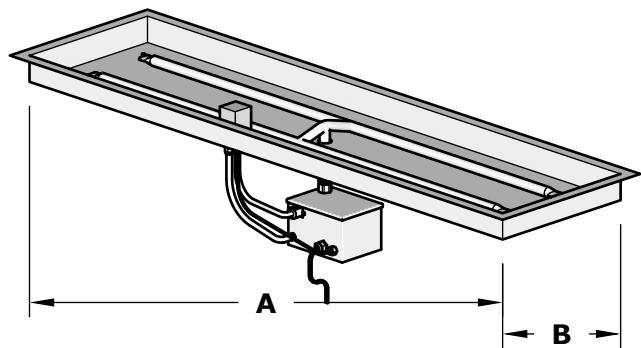
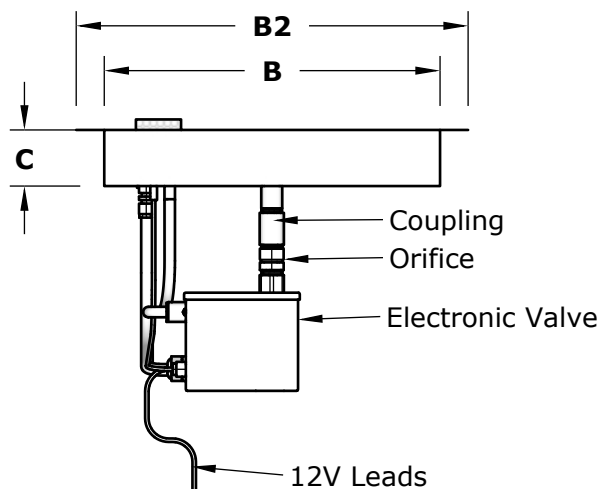


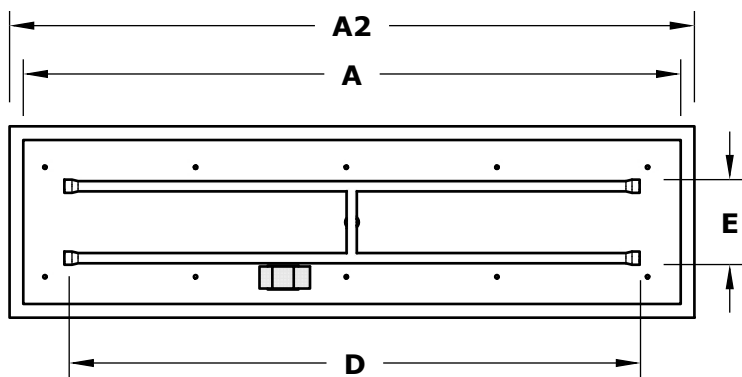
SS DROP IN PAN & SS 'H' BURNER 12V IGNITION



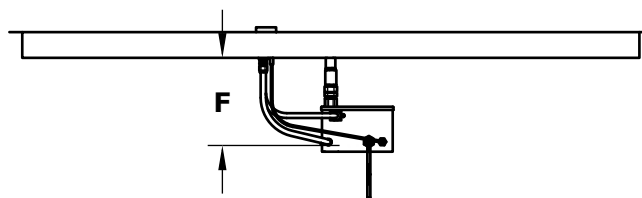
ISOMETRIC VIEW



RIGHT SIDE VIEW



TOP VIEW



FRONT SIDE VIEW

Pan Material: 304 Stainless Steel
Burner Material: 304 Stainless Steel
Ignition Type: 12V Electronic Ignition
(12V Transformer Included)

Standard 1" Flange on all pans
Standard 2" Depth on all pans

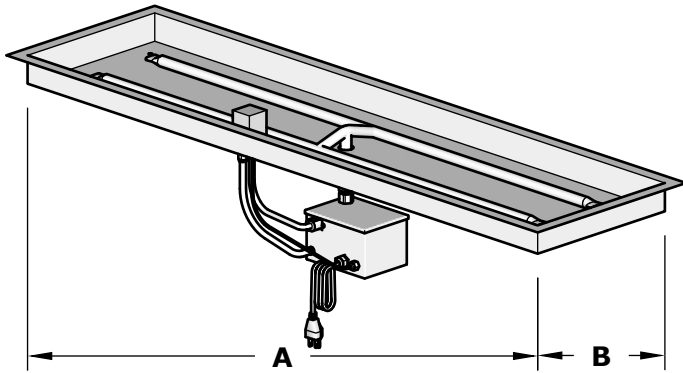
12V ELECTRONIC IGNITION
ANSI Z21.97-(2017) / CSA 2.41-(2017)

| SKU | A | A2 | B | B2 | C | D | E | F | BTU |
|---------------|-----|-----|-----|----|----|-----|----|-----|---------|
| OPT-PB1654E12 | 54" | 56" | 16" | 56 | 2" | 48" | 6" | 10" | 160,000 |

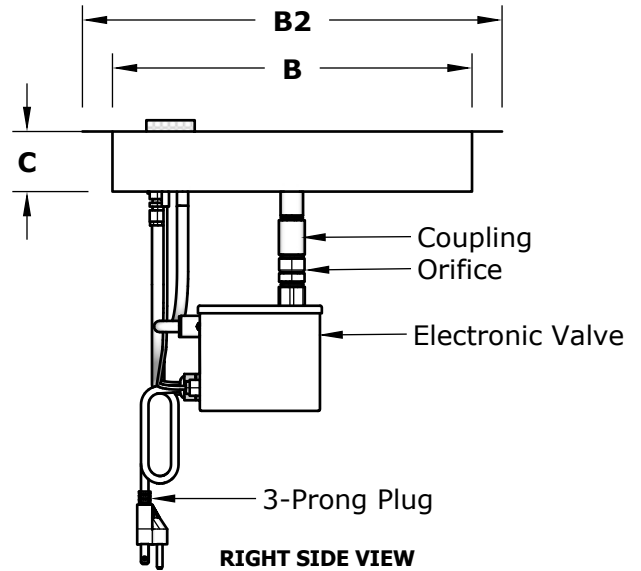


Includes: Pan, Burner, Electronic Valve, Pilot Igniter. 12V Transformer.

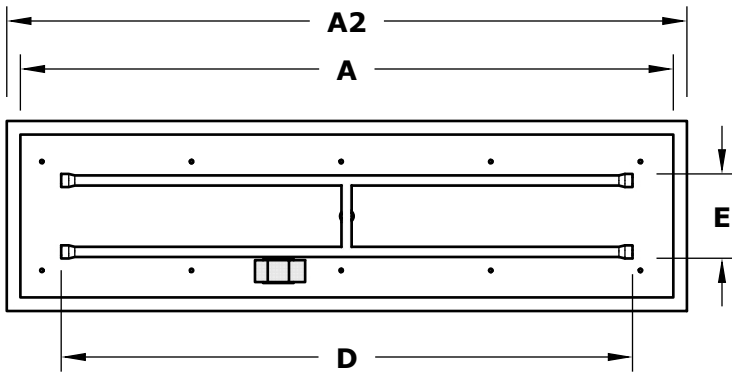
SS DROP IN PAN & SS 'H' BURNER PLUG & PLAY



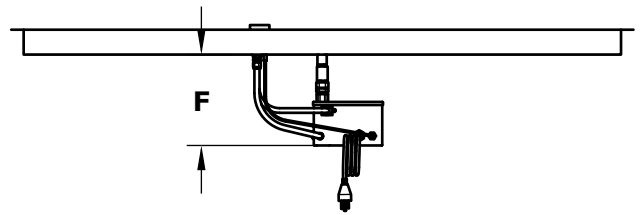
ISOMETRIC VIEW



RIGHT SIDE VIEW



TOP VIEW



FRONT SIDE VIEW

Pan Material: 304 Stainless Steel
Burner Material: 304 Stainless Steel
Ignition Type: 110V Electronic Ignition

Standard 1" Flange on all pans
Standard 2" Depth on all pans

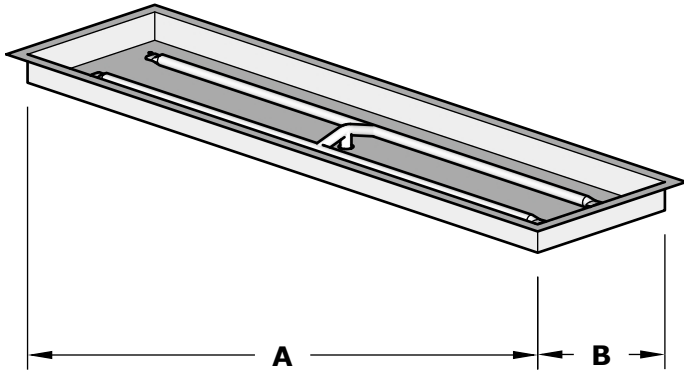
110V ELECTRONIC IGNITION
ANSI Z21.97-(2017) / CSA 2.41-(2017)

| SKU | A | A2 | B | B2 | C | D | E | F | BTU |
|----------------|-----|-----|-----|----|----|-----|----|-----|---------|
| OPT-PB1654EKIT | 54" | 56" | 16" | 56 | 2" | 48" | 6" | 10" | 160,000 |

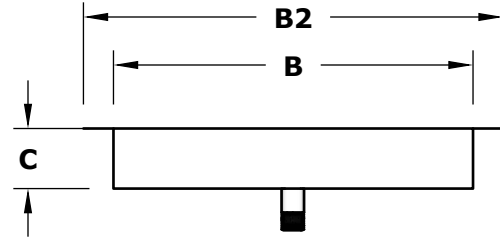


Includes: Pan, Burner, Electronic Valve, Pilot Igniter

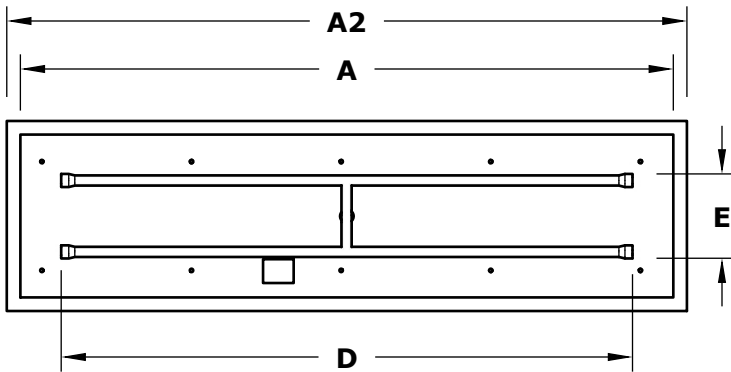
SS DROP IN PAN & SS 'H' BURNER MATCH LIT IGNITION



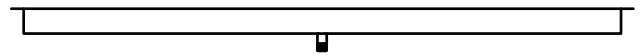
ISOMETRIC VIEW



RIGHT SIDE VIEW



TOP VIEW



FRONT SIDE VIEW

Pan Material: 304 Stainless Steel
Burner Material: 304 Stainless Steel
Ignition Type: Match Lit Ignition

Standard 1" Flange on all pans
Standard 2" Depth on all pans

| SKU | A | A2 | B | B2 | C | D | E | F | BTU |
|------------|-----|-----|-----|----|----|-----|----|-----|---------|
| OPT-PB1654 | 54" | 56" | 16" | 56 | 2" | 48" | 6" | 10" | 160,000 |

Includes: Pan, Burner. (NG or LP kits are sold separately)