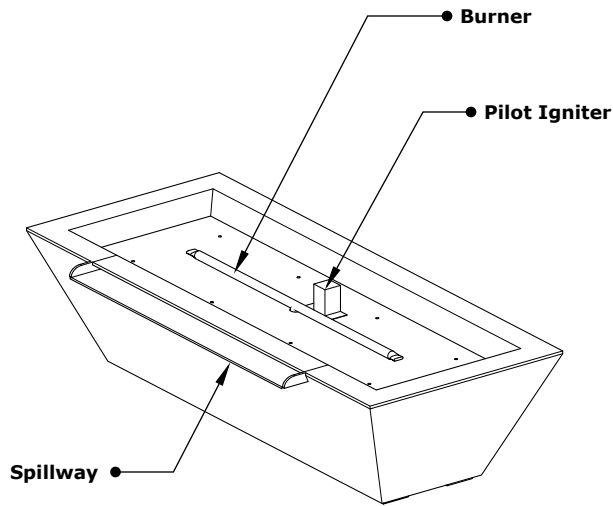
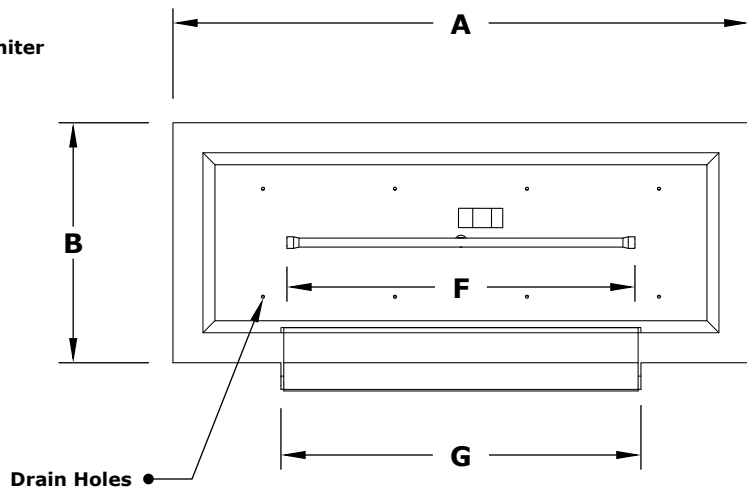


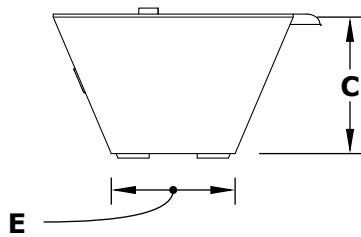
LINEAR MAYA COPPER FIRE & WATER BOWL - 20" WIDTH



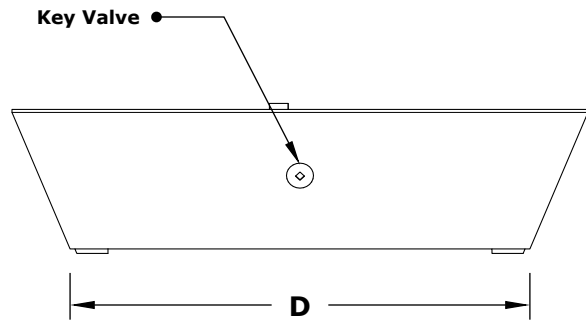
ISOMETRIC VIEW



TOP VIEW



RIGHT SIDE VIEW



FRONT SIDE VIEW

PART NUMBER	A	B	C	D	E	F	G	GPM	BTU
OPT-4820MCFW	48"	20"	12"	38"	10"	30"	36"	7-10	50,000
OPT-6020MCFW	60"	20"	12"	50"	10"	42"	48"	7-10	70,000
OPT-7220MCFW	72"	20"	12"	62"	10"	54"	60"	7-10	90,000

Fire Bowl Material: Copper
Pan Material: 304 Stainless Steel
Burner Material: 304 Stainless Steel
Standard 2" Depth on all pans
12V ELECTRONIC IGNITION
ANSI Z21.97-(2017) / CSA 2.41-(2017)

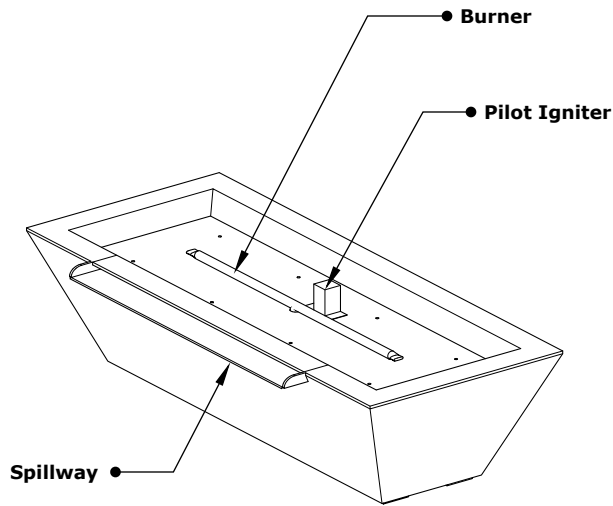


Match Lit Unit Includes: Pan, Burner, Gas Orifice, Gas Hoses, Key Valve, Key,
12v Ignition Unit Includes: Pan, Burner, Gas Orifice, Gas Hoses, Key Valve, Key, Plug & Play Electronic Valve, Pilot Igniter.

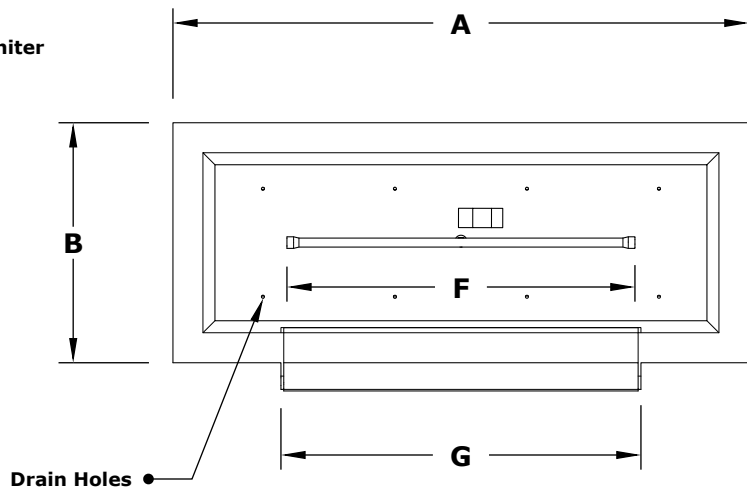
Drawn By	Murguia M.
Date Created	March 18, 2024

Proprietary & Confidential: The information contained in this drawing is the sole property of The Outdoor Plus. Any reproduction or as a whole without written permission of The Outdoor Plus is prohibited.

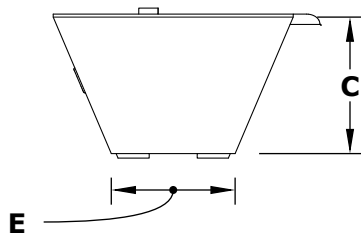
LINEAR MAYA COPPER FIRE & WATER BOWL - 30" WIDTH



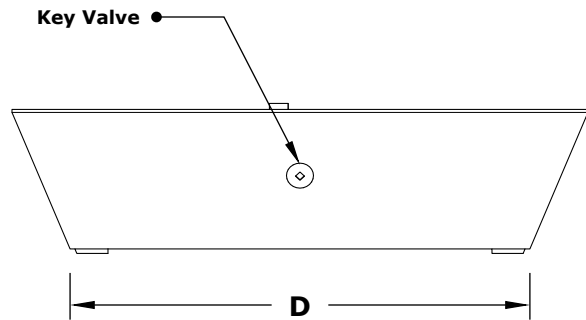
ISOMETRIC VIEW



TOP VIEW



RIGHT SIDE VIEW



FRONT SIDE VIEW

PART NUMBER	A	B	C	D	E	F	G	GPM	BTU
OPT-4820MCFW	48"	30"	12"	38"	20"	30"	36"	7-10	50,000
OPT-6020MCFW	60"	30"	12"	50"	20"	42"	48"	7-10	70,000
OPT-7220MCFW	72"	30"	12"	62"	20"	54"	60"	7-10	90,000

Fire Bowl Material: Copper
Pan Material: 304 Stainless Steel
Burner Material: 304 Stainless Steel
Standard 2" Depth on all pans
12V ELECTRONIC IGNITION
ANSI Z21.97-(2017) / CSA 2.41-(2017)



Match Lit Unit Includes: Pan, Burner, Gas Orifice, Gas Hoses.

12v Ignition Unit Includes: Pan, Burner, Gas Orifice, Gas Hoses, Plug & Play Electronic Valve, Pilot Igniter.

Note: Key valves are not included, must be ordered separately.

Drawn By	Murguia M.
Date Created	March 18, 2024

Proprietary & Confidential: The information contained in this drawing is the sole property of The Outdoor Plus. Any reproduction or as a whole without written permission of The Outdoor Plus is prohibited.