

# SAFETY TOWER

## USER GUIDE



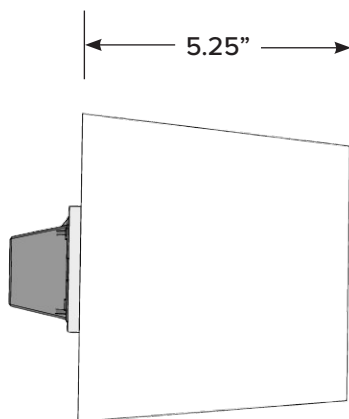
OPT-SAFETW2

OPT-SAFETW3

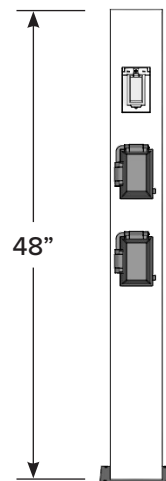
Experience enhanced safety and control with The Outdoor Plus Safety Tower. Designed for ease of use, this compact tower offers intuitive options for managing your outdoor features with confidence.

### SPECIFICATIONS

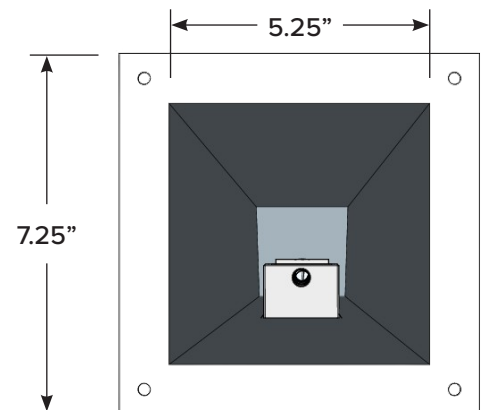
PART NUMBER OPT-SAFETW3



TOP VIEW



FRONT VIEW

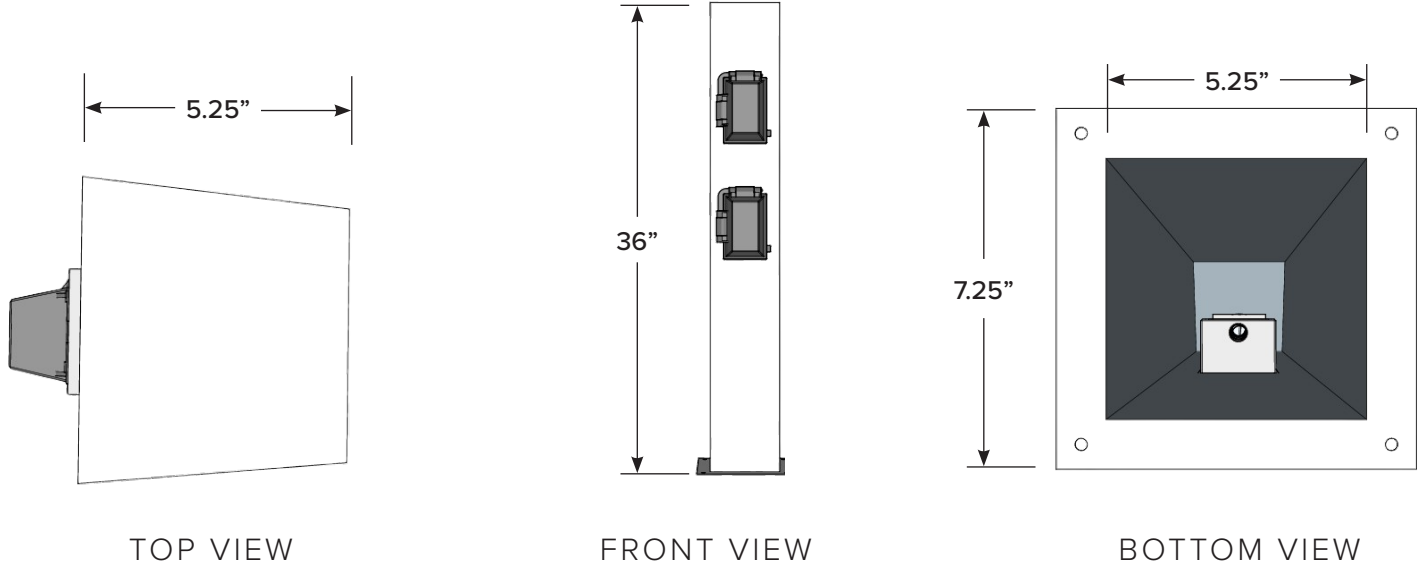


BOTTOM VIEW

## SPECIFICATIONS

---

PART NUMBER OPT-SAFETW2



## SAFETY

---

- Read through the entire User Guide before starting.
- Follow all local building codes and regulations during installation.
- Safety Towers fulfill a personal protection function. Incorrect installation or misuse may lead to serious personal injuries.
- Select a safe and easily accessible location away from the outdoor feature when installing the tower.
- Use caution when operating electrical components. Keep away from water to avoid electrical shock.
- Ensure all wiring is properly insulated.
- Only use the emergency stop button(s) in critical situations to avoid system danger or failure.

## TESTING

---

- Thoroughly test the Safety Tower before operating your outdoor feature.
- Check that all functions of your chosen options are working correctly (e.g. *Dial Timer*, *E-Stop*, etc).
- Test the connection to your outdoor feature to ensure it operates as intended.

## FEATURES & OPERATION

---

### EMERGENCY STOP BUTTON

- Press this button to immediately stop all operations.
- Only use in critical situations.



### EMERGENCY STOP BUTTON WITH KEY

- Press and turn the key to activate the emergency stop function.
- Only use in critical situations.



### ELECTRICAL DIAL TIMER

- Rotate the dial to set the desired duration.
- Ideal for timed control of the feature.



### 1-HOUR BUTTON TIMER

- Simply press the button to cycle through the timer options.
- Convenient for shorter duration control.



### GAS TIMER & E-STOP

- Utilize this feature for gas-powered systems.
- Press the emergency stop button to halt gas supply in emergencies.



### COMMERCIAL LIGHT SWITCH

- Toggle this switch to control the feature manually.
- Simple on/off functionality.



## INSTALLATION & WIRING



### WARNING

Ensure the tower is installed in an easily accessible area away from the outdoor feature. Follow all local building codes and regulations during installation.

## INSTALLATION

1. Select a suitable location for the Safety Tower, ensuring it is placed at a safe distance from the outdoor feature and is readily accessible. Prepare the chosen surface by cleaning and leveling as needed.
2. Use markers or chalk to outline the designated installation area, ensuring proper alignment.
3. Use appropriate anchoring methods, such as bolts or anchors, to secure the Safety Tower to a hard surface. Ensure that the anchoring hardware is compatible with the surface material and provides sufficient stability.
4. After installation, conduct a thorough inspection of the Safety Tower to ensure it is securely mounted and free from any defects or damages. Test the functionality of the tower's features to verify proper operation. Perform routine maintenance as needed to ensure continued safety.

## WIRING

### READ BEFORE WIRING

The Outdoor Plus highly recommends consulting a qualified electrician when installing to ensure compliance with local electrical codes and regulations.

