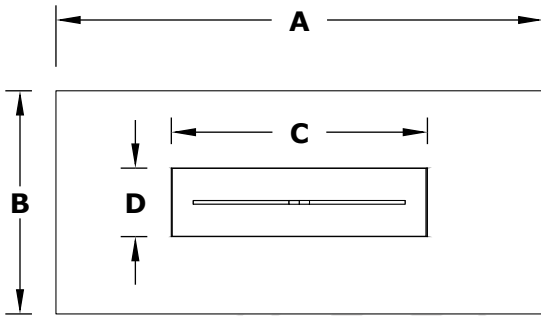
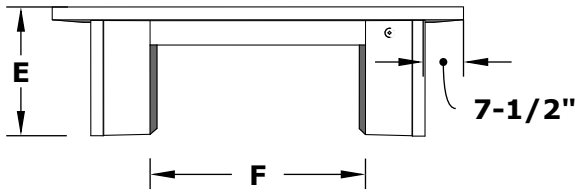


Alameda Fire Table

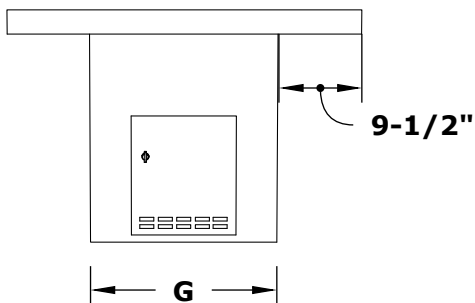
Powder Coated Base / Smooth GFRC Top



TOP VIEW



FRONT SIDE VIEW

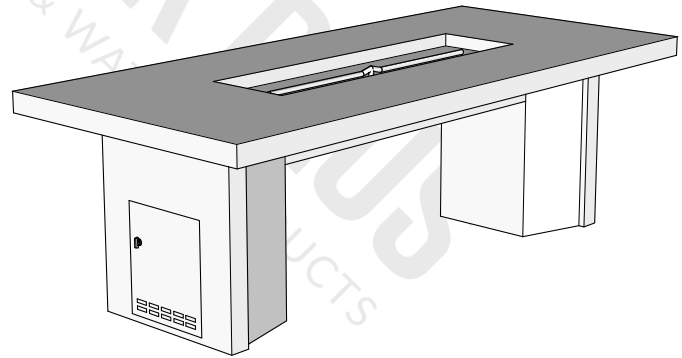


BOTTOM VIEW

SPECIFICATION

| PART NUMBER | A | B | C | D | E | F | G |
|-------------|-----|-----|------|------|-----|-----|-----|
| OPT-ALMPC60 | 60" | 44" | 14½" | 13½" | 31" | 17" | 25" |
| OPT-ALMPC72 | 72" | 44" | 26½" | 13½" | 31" | 29" | 25" |
| OPT-ALMPC84 | 84" | 44" | 38½" | 13½" | 31" | 41" | 25" |
| OPT-ALMPC96 | 96" | 44" | 50½" | 13½" | 31" | 53" | 25" |

Match Lit Unit Includes: Pan, Burner, Key Valve, Gas Orifice, Gas Hoses
110v Plug & Play Ignition Unit Includes: Pan, Burner, Key Valve, Gas Orifice, Gas Hoses, 110V Plug & Play Electronic Valve, Pilot Igniter.



ISOMETRIC VIEW

| | |
|---------------------|----------------|
| Drawn By | Daniel M |
| Date Created | March 28, 2024 |