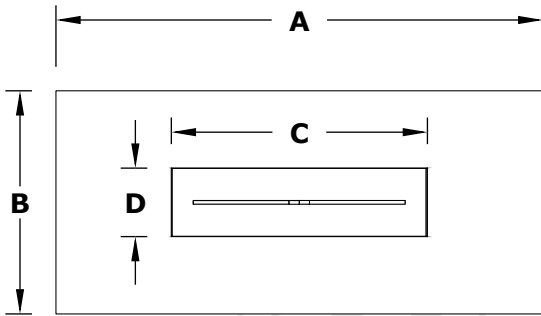
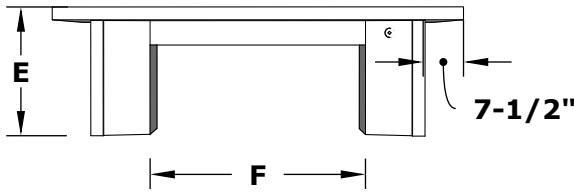


Alameda Fire Table

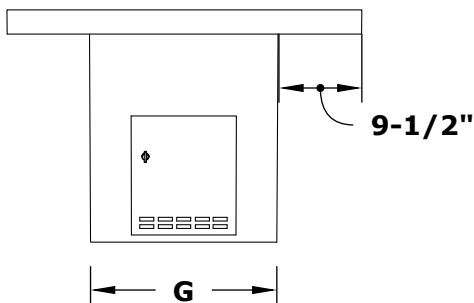
Powder Coated Base / GFRC Woodgrain Top



TOP VIEW



FRONT SIDE VIEW

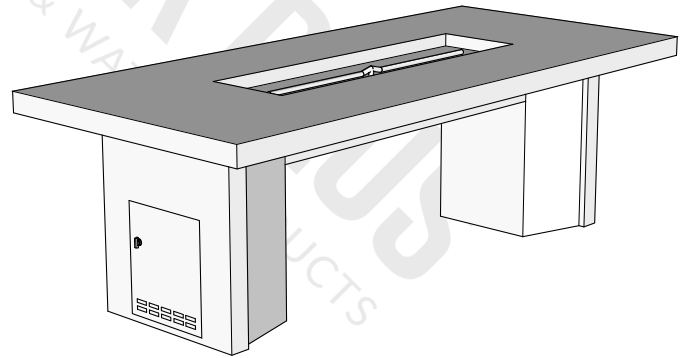


BOTTOM VIEW

SPECIFICATION

PART NUMBER	A	B	C	D	E	F	G
OPT-ALMWG60	60"	44"	14½"	13½"	31"	17"	25"
OPT-ALMWG72	72"	44"	26½"	13½"	31"	29"	25"
OPT-ALMWG84	84"	44"	38½"	13½"	31"	41"	25"
OPT-ALMWG96	96"	44"	50½"	13½"	31"	53"	25"

Match Lit Unit Includes: Pan, Burner, Key Valve, Gas Orifice, Gas Hoses
110v Plug & Play Ignition Unit Includes: Pan, Burner, Key Valve, Gas Orifice, Gas Hoses, 110V Plug & Play Electronic Valve, Pilot Igniter.



ISOMETRIC VIEW

Drawn By	Daniel M
Date Created	March 28, 2024