

### Radius Scupper

**Choose Dimensions**

- A. \_\_\_\_\_
- B. \_\_\_\_\_
- C. \_\_\_\_\_
- D. \_\_\_\_\_

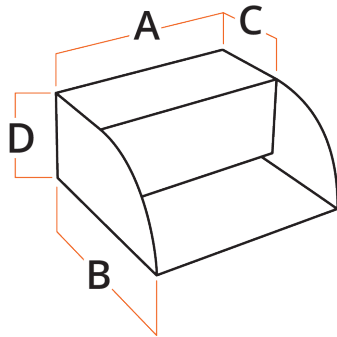
**Material**

- Patina Copper
- Raw Copper
- Stainless Steel

**Inlet Location**

- Back Side
- Bottom Side

**Quantity:** \_\_\_\_\_



### Smooth Flow Radius Scupper

**Choose Dimensions**

- A. \_\_\_\_\_
- B. \_\_\_\_\_
- C. \_\_\_\_\_
- D. \_\_\_\_\_

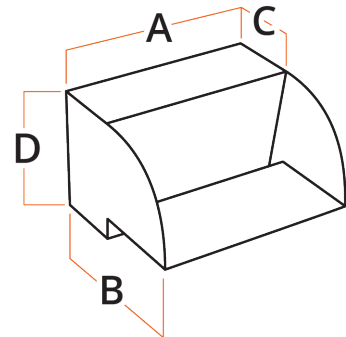
**Material**

- Patina Copper
- Raw Copper
- Stainless Steel

**Inlet Location**

- Back Side
- Bottom Side

**Quantity:** \_\_\_\_\_



### Straight Spillway

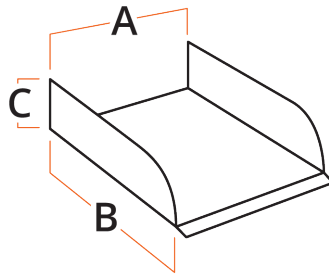
**Choose Dimensions**

- A. \_\_\_\_\_
- B. \_\_\_\_\_
- C. \_\_\_\_\_

**Material**

- Patina Copper
- Raw Copper
- Stainless Steel

**Quantity:** \_\_\_\_\_



### Smooth Flow Scupper

**Choose Dimensions**

- A. \_\_\_\_\_ E. \_\_\_\_\_
- B. \_\_\_\_\_ F. \_\_\_\_\_
- C. \_\_\_\_\_
- D. \_\_\_\_\_

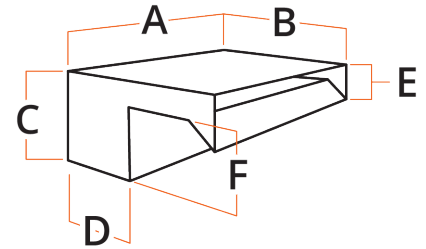
**Material**

- Patina Copper
- Raw Copper
- Stainless Steel

**Inlet Location**

- Back Side
- Bottom Side

**Quantity:** \_\_\_\_\_



### U-Shaped Scupper

**Choose Dimensions**

- A. \_\_\_\_\_
- B. \_\_\_\_\_
- C. \_\_\_\_\_
- D. \_\_\_\_\_

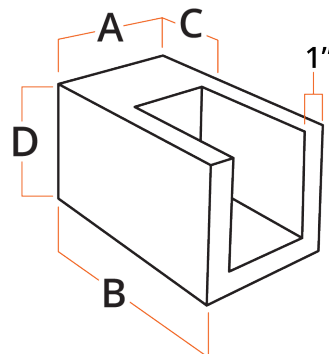
**Material**

- Patina Copper
- Raw Copper
- Stainless Steel

**Inlet Location**

- Back Side
- Bottom Side

**Quantity:** \_\_\_\_\_



### Arch Flow Scupper

**Choose Dimensions**

- A. \_\_\_\_\_
- B. \_\_\_\_\_
- C. \_\_\_\_\_

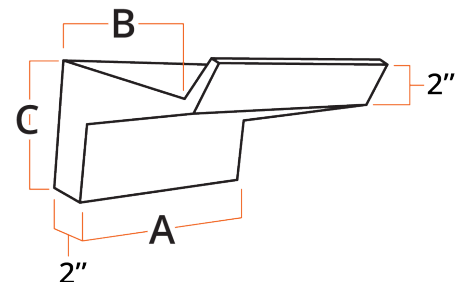
**Material**

- Patina Copper
- Raw Copper
- Stainless Steel

**Inlet Location**

- Back Side
- Bottom Side

**Quantity:** \_\_\_\_\_



### Box Scupper

**Choose Dimensions**

A. \_\_\_\_\_  
B. \_\_\_\_\_  
C. \_\_\_\_\_

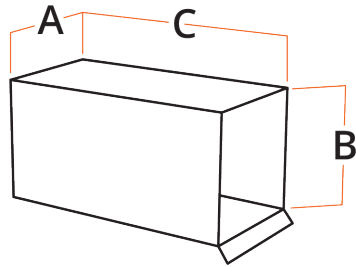
**Material**

- Patina Copper
- Raw Copper
- Stainless Steel

**Inlet Location**

- Back Side
- Bottom Side

**Quantity:** \_\_\_\_\_



### Scoop Style

**Choose Dimensions**

A. \_\_\_\_\_  
B. \_\_\_\_\_  
C. \_\_\_\_\_  
D. \_\_\_\_\_

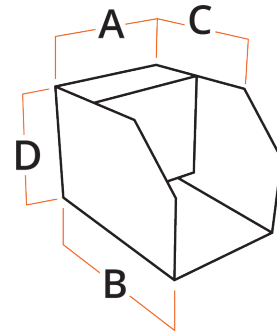
**Material**

- Patina Copper
- Raw Copper
- Stainless Steel

**Inlet Location**

- Back Side
- Bottom Side

**Quantity:** \_\_\_\_\_



### V-Shape Style

**Choose Dimensions**

A. \_\_\_\_\_  
B. \_\_\_\_\_  
C. \_\_\_\_\_  
D. \_\_\_\_\_

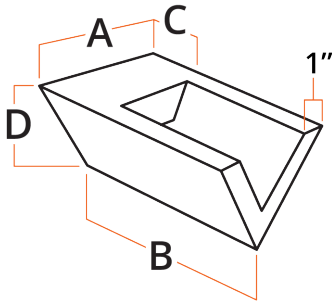
**Material**

- Patina Copper
- Raw Copper
- Stainless Steel

**Inlet Location**

- Back Side
- Bottom Side

**Quantity:** \_\_\_\_\_



### Single V Scupper

**Choose Dimensions**

A. \_\_\_\_\_  
B. \_\_\_\_\_  
C. \_\_\_\_\_  
D. \_\_\_\_\_

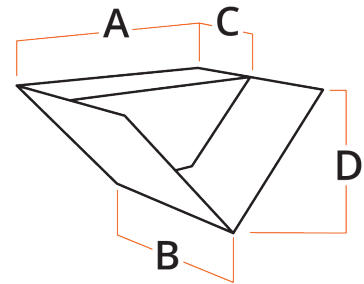
**Material**

- Patina Copper
- Raw Copper
- Stainless Steel

**Inlet Location**

- Back Side
- Bottom Side

**Quantity:** \_\_\_\_\_



### Rain Fall Scupper

**Choose Dimensions**

A. \_\_\_\_\_  
B. \_\_\_\_\_  
C. \_\_\_\_\_

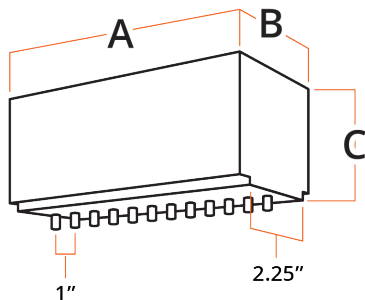
**Material**

- Patina Copper
- Raw Copper
- Stainless Steel

**Inlet Location**

- Short Side
- Long Side

**Quantity:** \_\_\_\_\_



### Cannon Scupper

**Choose Dimensions**

A. \_\_\_\_\_ D. \_\_\_\_\_  
B. \_\_\_\_\_ E. 2" □ 3" □  
C. \_\_\_\_\_

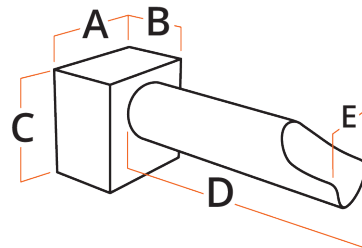
**Material**

- Patina Copper
- Raw Copper
- Stainless Steel

**Inlet Location**

- Back Side
- Bottom Side

**Quantity:** \_\_\_\_\_



Company	Name
Job Name	Phone
Reference #	Email

### Angled Mini Scupper

**Choose Dimensions**

A. \_\_\_\_\_  
 B. \_\_\_\_\_  
 C. \_\_\_\_\_  
 D. \_\_\_\_\_

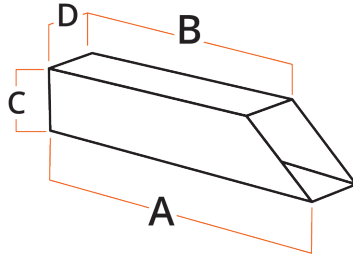
**Material**

- Patina Copper
- Raw Copper
- Stainless Steel

**Inlet Type**

- Threaded
- Open (Unthreaded)

**Quantity:** \_\_\_\_\_



### Boxed Mini Scupper

**Choose Dimensions**

A. \_\_\_\_\_  
 B. \_\_\_\_\_  
 C. \_\_\_\_\_

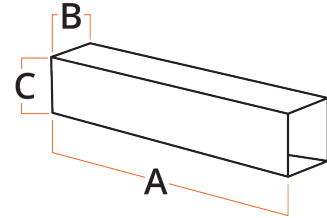
**Material**

- Patina Copper
- Raw Copper
- Stainless Steel

**Inlet Type**

- Threaded
- Open (Unthreaded)

**Quantity:** \_\_\_\_\_



### Cannon Mini Scupper

**Choose Dimensions**

A. \_\_\_\_\_  
 B. \_\_\_\_\_

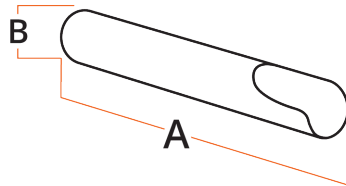
**Material**

- Patina Copper
- Raw Copper
- Stainless Steel

**Inlet Type**

- Threaded
- Open (Unthreaded)

**Quantity:** \_\_\_\_\_



### Chamfered Mini Scupper

**Choose Dimensions**

A. \_\_\_\_\_  
 B. \_\_\_\_\_  
 C. \_\_\_\_\_  
 D. \_\_\_\_\_

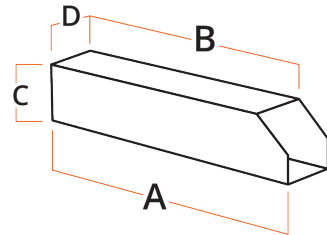
**Material**

- Patina Copper
- Raw Copper
- Stainless Steel

**Inlet Type**

- Threaded
- Open (Unthreaded)

**Quantity:** \_\_\_\_\_



### Scalloped Mini Scupper

**Choose Dimensions**

A. \_\_\_\_\_  
 B. \_\_\_\_\_  
 C. \_\_\_\_\_  
 D. \_\_\_\_\_

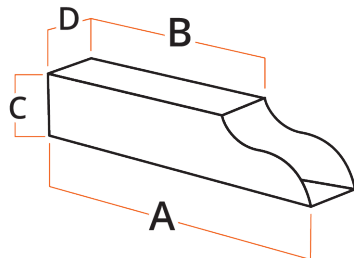
**Material**

- Patina Copper
- Raw Copper
- Stainless Steel

**Inlet Type**

- Threaded
- Open (Unthreaded)

**Quantity:** \_\_\_\_\_



Company	Name
Job Name	Phone
Reference #	Email

### Concave Radius Scupper

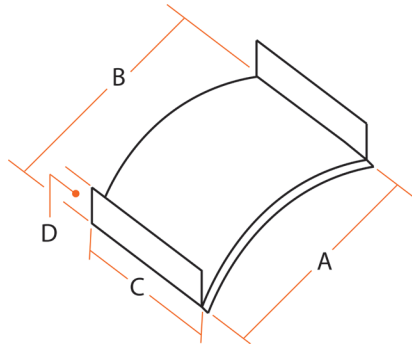
**Choose Dimensions**

A. \_\_\_\_\_  
 B. \_\_\_\_\_  
 C. \_\_\_\_\_  
 D. \_\_\_\_\_

**Material**

- Patina Copper
- Raw Copper
- Stainless Steel

**Quantity:** \_\_\_\_\_



### Convex Radius Scupper

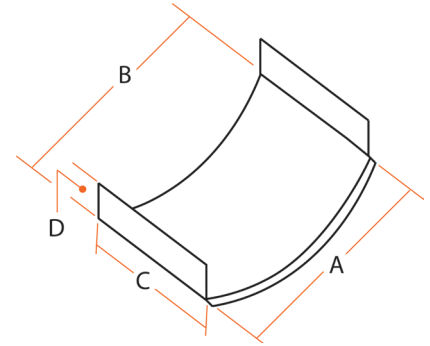
**Choose Dimensions**

A. \_\_\_\_\_  
 B. \_\_\_\_\_  
 C. \_\_\_\_\_  
 D. \_\_\_\_\_

**Material**

- Patina Copper
- Raw Copper
- Stainless Steel

**Quantity:** \_\_\_\_\_



### Altisimo Wall Scupper

**Choose Dimensions**

A. \_\_\_\_\_  
 B. \_\_\_\_\_  
 C. \_\_\_\_\_  
 D. \_\_\_\_\_  
 E. \_\_\_\_\_  
 F. \_\_\_\_\_

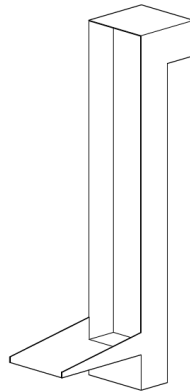
**Material**

- Patina Copper
- Raw Copper
- Stainless Steel

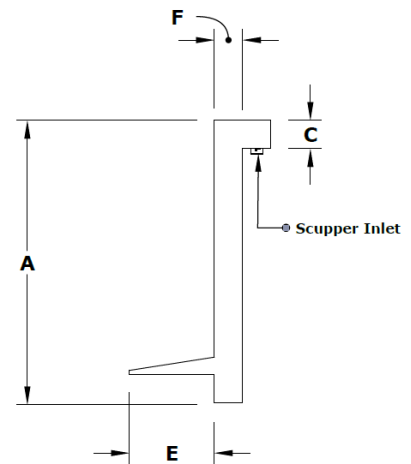
**Inlet Type**

- Threaded
- Open (Unthreaded)

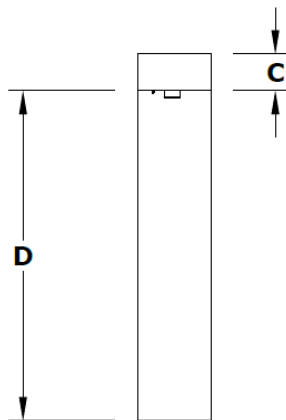
**Quantity:** \_\_\_\_\_



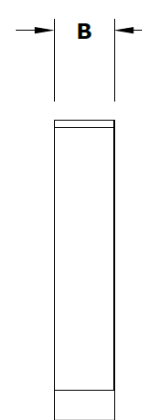
ISOMETRIC VIEW



SIDE VIEW



BACK SIDE VIEW



FRONT SIDE VIEW