



THE **OUTDOOR** PLUS



INSTALLER: Leave this manual with the appliance
CONSUMER: Retain this manual for future reference.

TOP TORCHES

**COMMERCIAL GRADE
ELECTRONIC IGNITION**

OPT-TT(XX)E OR OPT-TT(XX)SE

SAFETY WARNINGS

⚠️ WARNING

Improper installation, adjustment, alteration, service, or lack of maintenance can cause injury or property damage.

Read the installation, operating, and maintenance instructions thoroughly before installing or servicing this equipment.

⚠️ AVERTISSEMENT

Une installation, un ajustement, une modification, une réparation ou un entretien inapproprié peuvent être la cause de blessures ou de dommages.

Veuillez lire attentivement les instructions d'installation, d'utilisation et d'entretien avant d'installer ou de réparer ce matériel.

⚠️ WARNING

Do not store or use gasoline, or other flammable vapors and liquids, in the vicinity of this or any other appliance.

An LP-cylinder not connected for use shall not be stored in the vicinity of this or any other appliance.

⚠️ AVERTISSEMENT

Ne pas entreposer ne utiliser de l'essence ni d'autres vapeurs ou liquids inflammables dans le voisinage de l'appareil, ne de tout autre appareil. Une bouteille de propane qui n'est pas raccordee en vue de son utilisation, ne doit pas etre entreposee dans le voisiange de cet appariel ou de tout autre appareil.

⚠️ WARNING

FOR OUTDOOR USE ONLY.

⚠️ AVERTISSEMENT

POUR USAGE A L'EXTERIEUR SEULEMENT.

⚠️ WARNING

For use with natural gas or liquid propane only.

Do not use charcoal or other solid fuel in gas burning appliances.

Do not use your fire feature for cooking.

Always adhere to the specified clearances listed in this manual.

Never allow clothing or other flammable materials come in contact with any hot surface until it has fully cooled.

Never wear loose fitting or hanging garments while using your fire pit. Fabric may ignite and result in personal injury.

⚠️ AVERTISSEMENT

Pour utilisation avec du gaz naturel ou du propane liquide seulement.

N'utilisez pas de charbon de bois ou d'autres combustibles solides dans les appareils à gaz.

N'utilisez pas votre caractéristique de feu pour cuisiner.

Respectez toujours les dégagements spécifiés dans ce manuel.

Ne laissez jamais des vêtements ou d'autres matériaux inflammables entrer en contact avec une surface chaude avant d'avoir complètement refroidi

Ne portez jamais de vêtements amples ou suspendus lorsque vous utilisez votre foyer. Le tissu peut s'enflammer et entraîner des blessures.

SAFETY WARNINGS

⚠ WARNING**If you smell gas:**

- > Shut off gas to the appliance
- > Extinguish any open flame
- > If odor continues, keep away from the appliance and immediately call your gas supplier or fire department.

⚠ AVERTISSEMENT**Si l'y une odeur de gaz:**

- > Coupez l'admission de gaz de l'appareil.
- > Éteindre toute flamme nue.
- > Si l'odeur persiste, éloignez-vous de l'appareil et appelez immédiatement le fournisseur de gaz ou le service d'incendie.

⚠ WARNING

For use with natural gas or liquid propane only.

Do not use charcoal or other solid fuel in gas burning appliances.

Do not use your fire feature for cooking.

Always adhere to the specified clearances listed in this manual.

Never allow clothing or other flammable materials come in contact with any hot surface until it has fully cooled.

Never wear loose fitting or hanging garments while using your fire pit. Fabric may ignite and result in personal injury.

⚠ AVERTISSEMENT

Pour utilisation avec du gaz naturel ou du propane liquide seulement.

N'utilisez pas de charbon de bois ou d'autres combustibles solides dans les appareils à gaz.

N'utilisez pas votre caractéristique de feu pour cuisiner.

Respectez toujours les dégagements spécifiés dans ce manuel.

Ne laissez jamais des vêtements ou d'autres matériaux inflammables entrer en contact avec une surface chaude avant d'avoir complètement refroidi

Ne portez jamais de vêtements amples ou suspendus lorsque vous utilisez votre foyer. Le tissu peut s'enflammer et entraîner des blessures.

⚠ WARNING**Carbon Monoxide Hazard**

This appliance can produce carbon monoxide which has no odor.

Using it in an enclosed space can kill you.

Never use this appliance in enclosed space such as a camper, tent, car or home.

**⚠ AVERTISSEMENT****MONOXYDE DE CARBONE**

Cette appareil peut produire du monoxyde de carbone, un gaz inodore.

L'utilisation de cet appareil dan des espaces clos peut entraîner la mort.

Ne jamais utiliser cet appareil dans un espace clos comme un véhicule de camping, une tente, une automobile ou une maison.

SAFETY WARNINGS

WARNING

Installation must conform with local codes or, in the absence of local codes, with the National Fuel Gas Code, ANSI Z223.1 / NFPA 54, or International Fuel Gas Code.

The appliance, when installed, must be electrically grounded in accordance with local codes or, in the absence of local codes, with the National Electric Code, ANSI/NFPA 70, if applicable.

WARNING

California Proposition 65 Warning: Chemicals known to the State of California to cause cancer, birth defects or other reproductive harm are found in and/or created by the combustion of natural gas, propane, butane and other fuels. Always operate this unit as described in the owner's manual and in well ventilated areas.

DANGER

Propane gas source to the fire pit must be regulated.

Do not operate if regulator has been removed. Fire or explosion can occur.

BURN HAZARD

While the fire unit is operating, the outside surface may reach high temperatures which may cause burns.

Never leave children unattended in the area where the fire unit is being used. Close supervision of children is necessary when any appliance is used near children. Never leave the fire pit unattended when in use.

Do not reach over your fire unit when hot or in use.

SAFETY

Keep all electrical supply cords away from the heated areas of the fire pit.

Clothing or other flammable materials should not be hung from the appliance, or placed on or near the appliance.

GENERAL INFORMATIONS

Fuel Type - Before making gas connections ensure appliance being installed is compatible with the available gas type. Check the label on the appliance to confirm appliance gas type requirement.

Gas Pressure - Proper input gas pressures are required for optimum appliance performance.

GAS PRESSURE REQUIREMENTS

Natural Gas

Minimum 3.5" W.C. - Nominal: 7.0" W.C. - Maximum 1/2" PSI (14.0" W.C.)

Liquid Propane:

Minimum 8.0" W.C. - Nominal: 11.0" W.C. - Maximum 1/2" PSI (14.0" W.C.)

ELECTRICAL REQUIREMENTS

The All Weather Electronic Ignition System operates on 24 Volts AC power ONLY
DO NOT Attempt to Power using 110 Volts AC Power – Damage WILL RESULT

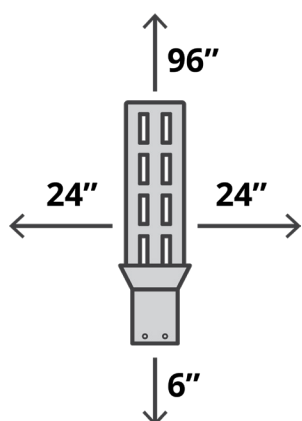
Acceptable Input Voltages to Supplied 24 Volt AC Transformer: 110 / 210 / 220 / 240 / 480 Volt AC
Supplied 24 Volt AC Transformer compatible with all voltages listed above

Read label on supplied transformer for proper connection information

Recommended Wire Size: 12 gauge wire for all installations

CLEARANCE FROM COMBUSTIBLES

Warning - Provide adequate clearance from combustibles as shown below.



INSTALLATION & MAINTENANCE

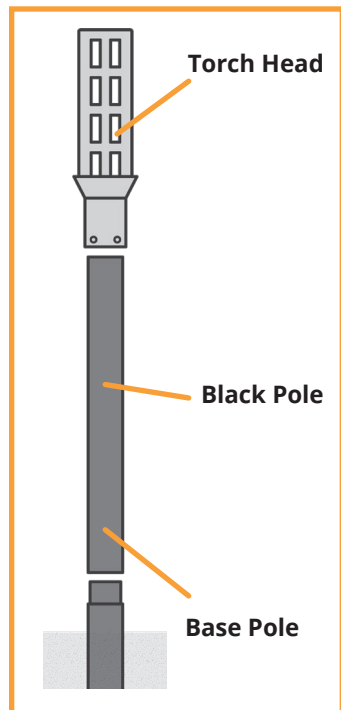
We suggest that our products be serviced by a professional certified in the U.S. By the National Fireplace Institute as a NFI Specialists



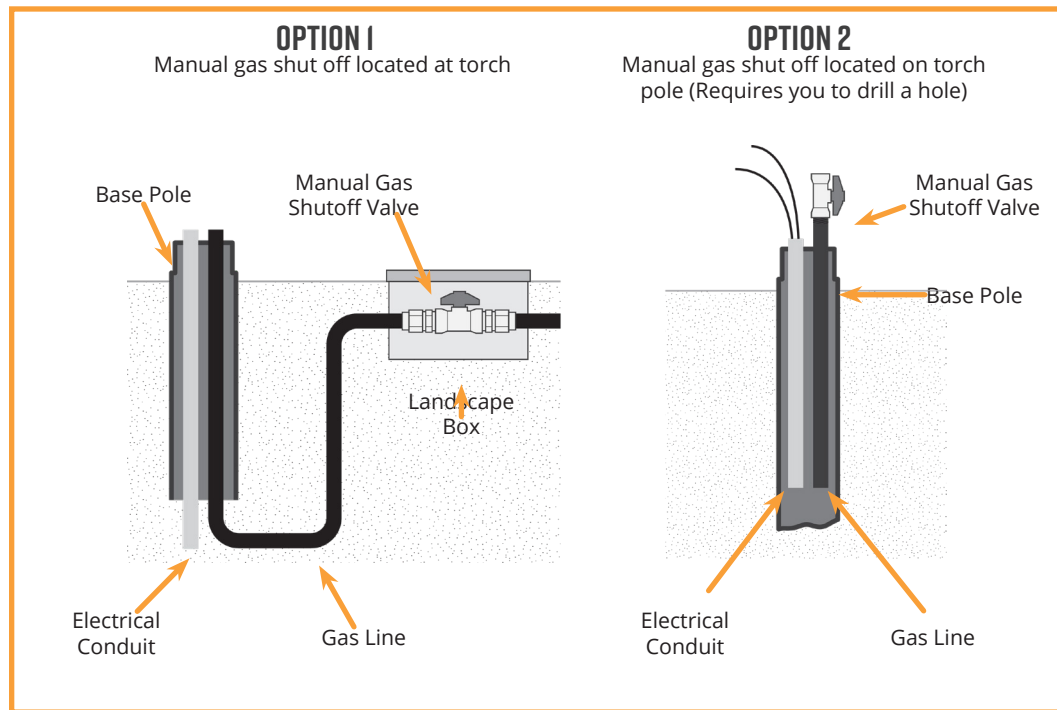
INSTALLATION

Note: Installation should be done by a qualified service technician that is locally licensed.

TIKI TORCH



MANUAL SHUT OFF OPTIONS



INSTALLATION OF BASE POLE

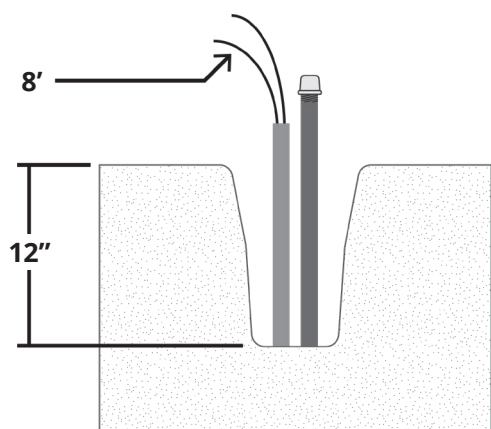


DIAGRAM 1

STEP 1

Diagram 1 shows $\frac{1}{2}$ " gas stub and an electrical conduit stubbed up inside a hole. The hole is 12" deep. The wire installed inside the conduit is low voltage landscape wire (12 gauge) and we pulled 8' of wire beyond the end of the conduit to have plenty to pull up through the poles in the Tiki.

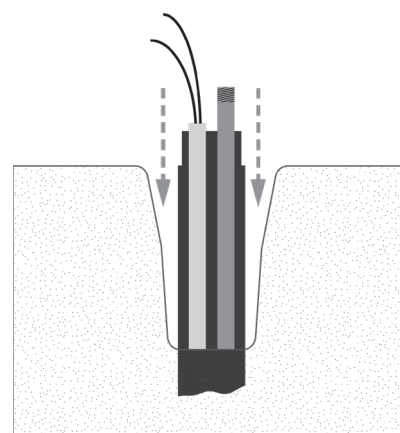


DIAGRAM 2

STEP 2

Diagram 2 shows the Base Pole. Slide it over the Gas & Electric stubs. Adjust the height of the Base Pole so that the tapered top end of the Base Pole ended up above grade. Do this to make the connection between the Base Pole and the Tiki Pole easier later on.

INSTALLATION

STEP 3

If you are installing the Manual Gas Shutoff on the Tiki Pole (Option 2 from page 7) first remove the handle from the Ball Valve and then install the ball valve on the $\frac{1}{2}$ " gas riser as shown in diagram 3.

The use of pipe dope or Gas Teflon tape is highly recommended to prevent a possible gas leak.

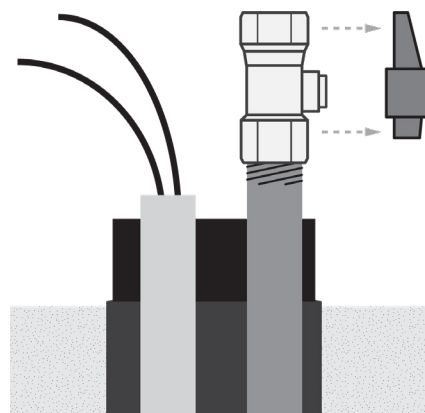


DIAGRAM 3

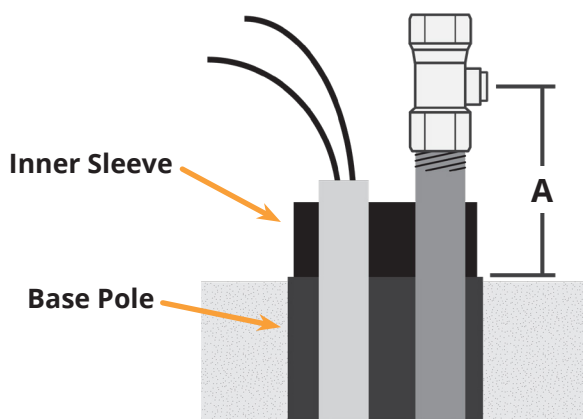


DIAGRAM 4

STEP 4

Once the Manual Gas Shutoff is installed measure from the center of the Gas Shutoff to the top of the Black Base Pole. This dimension we shall refer to as measurement "A". See diagram 4

STEP 5

Temporarily install the longer pole and measure from the seam between the Base Pole and the top of the long tiki pole. This dimension we will refer to as measurement "B".

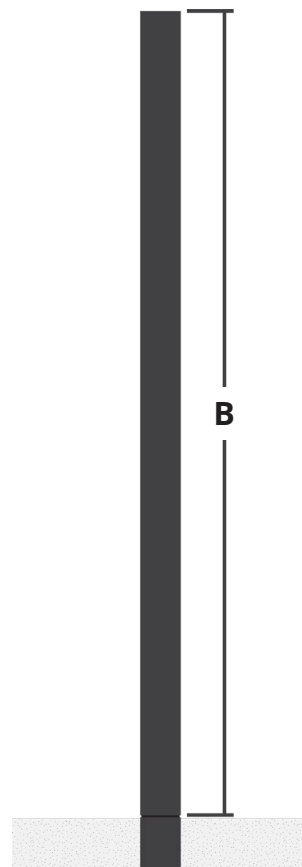


DIAGRAM 5

INSTALLATION

STEP 6

Install $\frac{1}{2}$ " gas hose to your gas riser (or manual gas shutoff valve) so that the end of the $\frac{1}{2}$ " gas line is 1" SHORTER than the pole (measurement "B" from the previous page)

In addition, bring the wires previously installed up along the gas line and tape it to the gas line in anticipation of installing the longer tiki pole.

STEP 7

As shown in diagram 6, Measure from the bottom of the long tiki pole up to measurement "A" and mark the pole. Then drill a 1" diameter hole in the side of the pole for the Manual Gas Shutoff Valve.

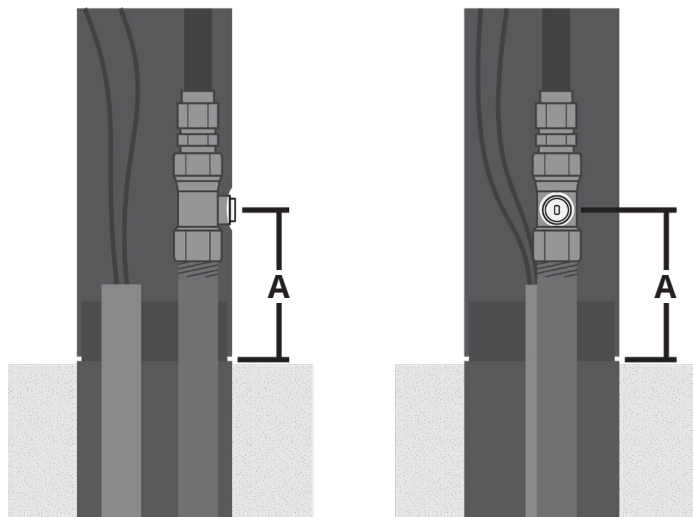


DIAGRAM 6

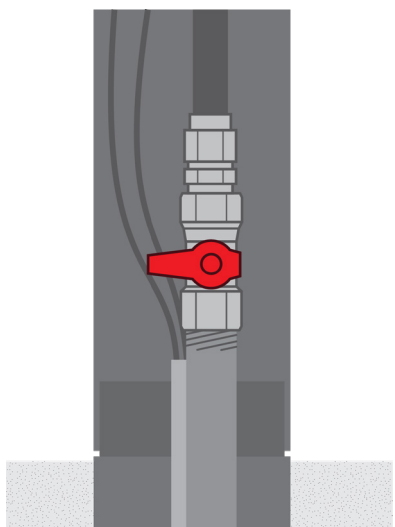


DIAGRAM 7

STEP 9

Next install the Manual Gas Shutoff Valve as shown in diagram 7.

STEP 9

In diagram 8, you are looking at a close up of the bottom of the Tiki Torch Head. Unless a custom configuration is requested there will be the 2 wires as shown along with a $\frac{1}{2}$ " coupling.

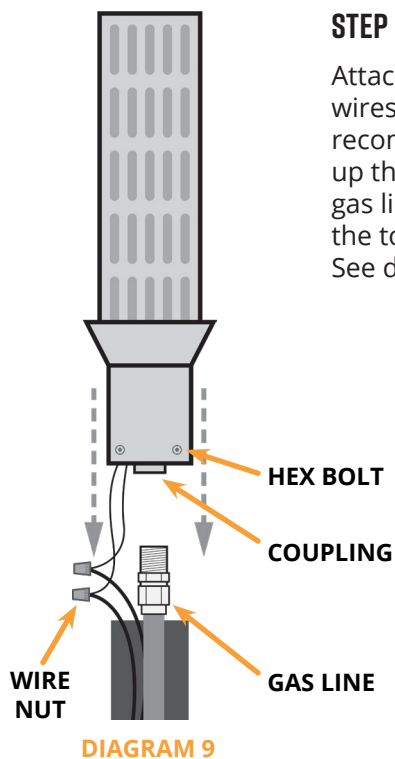


DIAGRAM 8

INSTALLATION THE TORCH HEAD

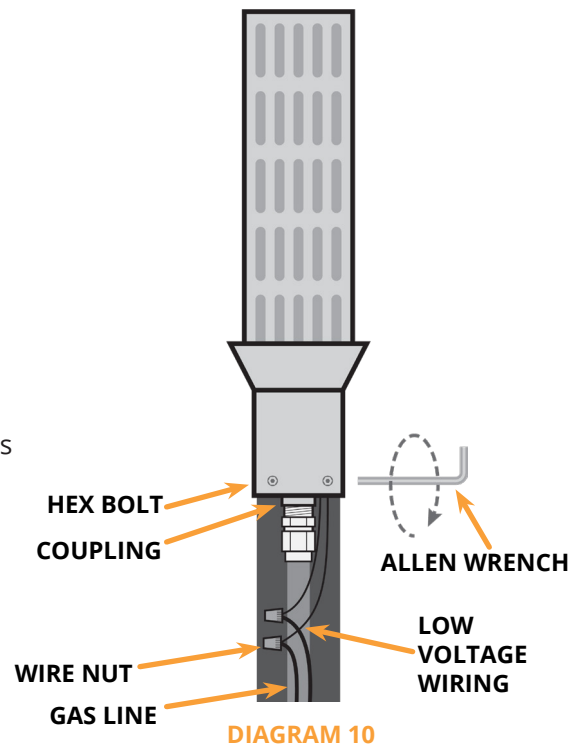
STEP 10

Attach the wires from the torch head to the 2 wires coming up inside the center of the pole. We recommend wrapping the wires that are coming up through the pole counter clockwise around the gas line 3 full turns in anticipation of threading the torch head onto the gas line. See diagram 9



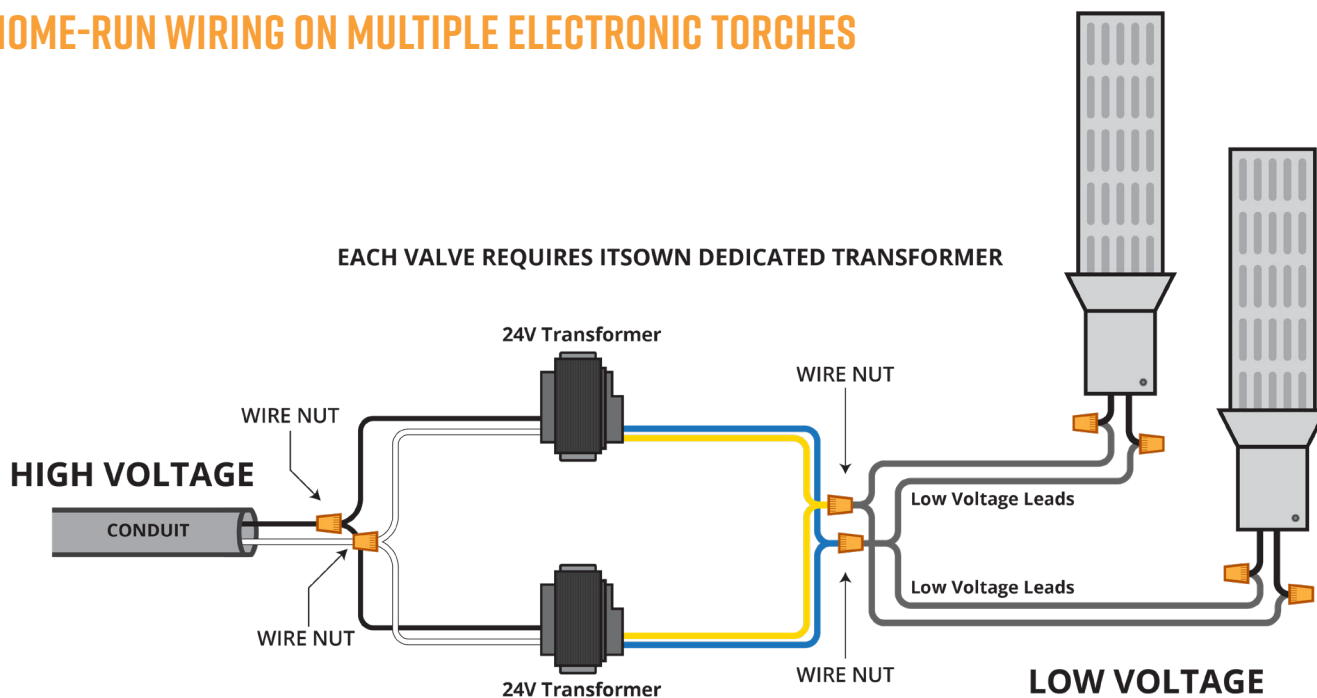
STEP 11

Insert the pole into the torch head. Secure by tightening the 3 set screws in the base of the torch head. See diagram 10.



HOME-RUN WIRING ON MULTIPLE ELECTRONIC TORCHES

EACH VALVE REQUIRES ITS OWN DEDICATED TRANSFORMER



OPERATION

WARNING

Do NOT use this appliance if any part has been under water
Immediately call a qualified service technician to inspect the appliance and to replace any part of the control system any gas control which has been under water.

WARNING

HOT – DO NOT TOUCH - SEVERE BURNS MAY RESULT - CLOTHING IGNITION MAY RESULT

- CAREFULLY SUPERVISE children in same area as the appliance.
- Alert children and adults to hazards of high temperatures.
- Clothing or other flammable materials should not be hung from the appliance or placed on or near the appliance.

FIRE FEATURE START UP

1. Prior to turning appliance on visually inspect fire feature to ensure debris such as leaves or other combustible material has not collected inside the feature which could burn and emit embers once the fire feature is turned on. Also ensure any person standing close to the fire feature is aware you will be turning the fire feature on prior to actually turning it on.

2. Turn fire feature on by turning on the electrical device used to power the fire feature.

Sequence of Operation during Ignition

- Power is applied
- Hot Surface Igniter (Glow Plug) becomes hot and 4 seconds later the Gas Valve opens
- Within 10 seconds of power application Flame should be visible (at night only)

FIRE FEATURE SHUTDOWN

1. Turn fire feature off by turning off the electrical device used to power the fire feature.

WARNING

If fire feature fails to turn off completely (small flames still visible)
Turn off gas supply using the manual gas shutoff.

MAINTENANCE

WARNING

Maintenance should be done by a qualified service technician.
The appliance should be inspected before use and at least annually by a qualified service technician.

Ensure gas and power are shut off and appliance is cool before servicing.

Any guard or protective device removed for servicing must be replaced prior to operation.

PRIOR TO EACH USE

Inspect for debris in fire feature - remove debris prior to use

SEMI-ANNUALLY

1. Visually inspect Pilot Burner for debris/insect infestation (spider webs)
2. Visually inspect burner for debris/insect infestation
3. Clean either of the above as necessary using compressed air.

ANNUALLY

1. Visually inspect Burner for excess corrosion due to heat and moisture.
2. Turn fire feature on to ensure proper operation.

ANNUALLY

1. Visually inspect Burner for excess corrosion due to heat and moisture.
2. Turn fire feature on to ensure proper operation.

TROUBLE SHOOTING

I INSTALLED THE TORCH TURNED IT ON AND NOTHING HAPPENED

When this occurs it is usually due to an electrical wiring / power issue. Check all your electrical connections thoroughly to ensure all wires at the transformer and inside the fire feature are connected properly. If it appears all wiring is connected properly, disconnect the wires at the fire feature, attach a Multimeter to the wires to confirm a minimum of 24 volts when the fire feature is turned on. If you determine that you do not have a minimum of 24 volts at the fire feature conduct the same test at the transformer to ensure the transformer is in fact producing a minimum of 24 volts. If you do have a minimum of 24 volts at the fire feature contact us for further assistance.

I INSTALLED THE TIKI TORCH, TURNED IT ON AND I CAN SEE THE GLOW PLUG GLOWING ORANGE AND I CAN HEAR GAS FLOWING BUT IT WILL NOT IGNITE

There are two possible causes to this problem; Air in the Gas Line or not enough Electrical Current to the fire feature.

Air in the Gas Line – If a new gas line was installed and the air was never purged from it prior to installing the Electronic Ignition System then it may take several times of turning the fire feature on and off before the air is purged from the gas line. Here is how our system works; after you turn it on the glow plug will come on first followed by the Pilot Gas Valve opening 4 seconds later. For the next 180 seconds (3 minutes) the glow plug will cycle on and off every 30 seconds while the Pilot Gas Valve will remain on the entire time. Therefore if you are attempting to purge air from the gas line, turn the system on and leave it on for approximately 3 minutes. Then turn it off and then back on (no need to wait to turn it back on). Let the system run for another 3 minutes. Usually when purging air from a new gas line you will need to cycle the power several times as described above before gas begins to flow. If at any point you smell gas but still don't have ignition, attempt to light the Pilot flame with a handheld lighter. If the flame ignites when you light it by hand, go to the section below, "Electrical Current".

Electrical Current – If you have determined that air in the gas line is not the problem then most likely the failure to ignite is due to the fact the glow plug is not getting hot enough to ignite the gas. The reason a glow plug will not get hot enough is due to the fact it is not getting enough 'amps'. Often times when troubleshooting electricians will check the electrical power and when they see they have a minimum of 24 volts they think everything is fine electrically so there must be a problem with the Electronic Ignition System. The problem is not due to the volts but rather the amps. The number of amps reaching the fire feature is heavily dependent on the gauge wire used between the transformer and the fire feature. Our Install Instructions require no less than 12 gauge wire be run for all fire features. Often times we learn that in many cases less than 12 gauge wire has been used and herein lies the cause of the problem.

Here is how you check to determine if enough Electrical Current (amps) are getting to the fire feature:

1. CAUTION: Turn off the gas supply prior to the next step.
2. Using a clamp on ammeter, clamp the ammeter around one of the wires providing power to the Electronic Ignition System.
3. Turn the fire feature on.
4. The amps you should see will range between 1.4 to 1.6 amps initially. Four seconds after being turned on the amps will jump to approximately 2.0 amps.

If you do not see the amps listed above AND the wire gauge used was less than 12 gauge wire – change the wiring. Otherwise contact us for further assistance.

I TURNED THE TIKI TORCH OFF BUT I STILL SEE SMALL FLAMES EMANATING FROM THE FIRE FEATURE.

Turn the fire feature on, let the main fire ring light and then turn it off again – do this several times. Small pieces of debris from the gas line can get caught in the main or pilot valve thereby preventing it from closing all the way. This will sometimes happen with a new gas line. By cycling power you can often times dislodge the debris. If cycling power does not rectify the problem, turn the gas off using the manual gas shutoff and contact us for further assistance.

CLEANING, MAINTENANCE & STORAGE

CLEANING

Inspect the appliance before initial use. Clean the appliance at least annually and have it inspected by a qualified field service person.

Periodically examine the burner. If the burner is dirty, clean it with a soft wire brush. Remove any dirt or debris in this area. This will ensure long life and trouble-free operation.

The easiest way to clean the fire pit is to let it cool completely off. Spray the enclosure off with water. Note: Do NOT spray water directly onto the burner and igniter, and wipe clean with a dry cloth.

When not in use and after cooling, cover your fire pit with a full length cover. The cover will help protect your fire pit from detrimental effects of weather and environmental pollutants (see your local Outdoor Plus dealer for details).

Before placing the cover on the fire pit, make sure the unit is shut off, that the gas lines are disconnected and that the unit has had sufficient time to cool.

More frequent cleaning may be required as necessary. It is imperative the control compartment, burner and circulation air passageways of the appliance be kept clean and free.

MAINTENANCE

Periodically check the hose connecting the propane gas cylinder to ensure it is not cracked or damaged in any way. All natural gas hook-ups should be serviced and inspected only by qualified installers only.

Spiders and other insects can nest in the burners and block the gas and airflow to the burner ports. This creates a dangerous condition that can result in a fire from behind the valve panel. Inspect and clean the burners periodically.

Any guard or other protective device removed for servicing the appliance must be replaced prior to operating the appliance.

Inspect the fuel supply connection for signs of leakage (including the hose for propane models) before each use of the appliance.

Do not repair or replace any part of your fire pit. Have a qualified technician perform all service. Any repairs made by a non-approved service technician will void your warranty.

STORAGE

When your fire pit is not in use, turn off the gas at the source.

This appliance can be store indoors only if it has been disconnected from its fuel supply.

Store propane cylinders outdoors in a well-ventilated area out of reach of children. Disconnected cylinders must have threaded valve plugs tightly installed and must not be stored in a building, garage, or any other enclosed area.

To extend the life of your fire pit, protect and cover it from the elements when not in use. (See Figure N) Ensure the appliance has ample time to cool off after use and prior to installing storage cover. Damage caused to storage cover due to heat or burns are not covered by warranty.



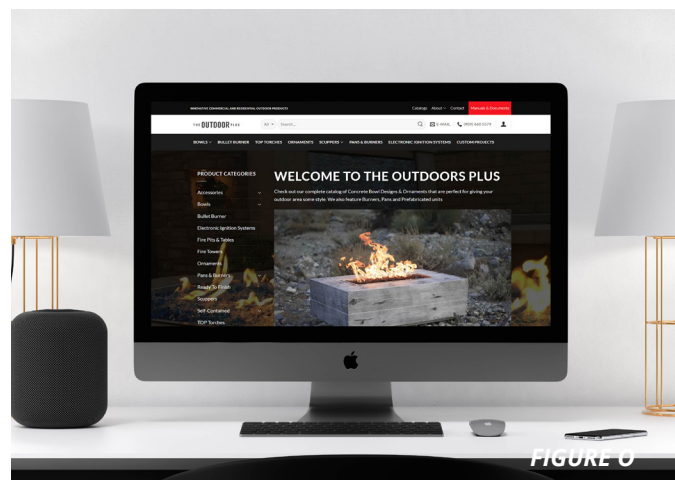
FIGURE N

REPLACEMENT PARTS

A complete catalog of products and replacement parts available from The Outdoor Plus can be found online at www.theoutdoorplus.com You can find a full range of products and accessories, including:

- > Burners: Pan burners, H burners, fire pit rings.
- > Decorative glass and ecoglass.
- > Fireplaces, fire pits, fire tables, fire bowls, custom fire burners and custom pan burners.
- > BBQ islands.

Custom items are always available contact us at (909) 460-5579 or send us a message at sales@theoutdoorplus.com



ONE YEAR LIMITED WARRANTY

This product is warranted to be free from defects in material and workmanship for one year from the date of purchase.

If a part proves to be defective under normal use, the part will be repaired or replaced. Our obligation under this warranty is to repair or replace defective parts at our discretion. If we determine that repair of a covered item is not feasible, we reserve the right to replace the defective merchandise with merchandise equal in value to the original purchase price. Warranty repair or replacement are the sole discretion of The Outdoor Plus and this warranty does not cover costs therein, including but not limited to: freight, removal, re-installation, etc.

There will be no charge for parts on a covered item, however, cost of labor is the responsibility of the owner. Shipping and handling charges will apply to all warranted replacement parts. The service agent may assess a reasonable travel or mileage charge per service call.

This warranty is non-transferable.

Decorative stones and decorative glass are not covered by this warranty.

This warranty is void if the fire pit has been subject to negligence, alteration, misuse, repairs, dings, dents, scratches, or incorrect and / or prohibited applications as specified in the owner's manual. Natural gas lines

must be installed by a licensed plumber only or local gas company agent.

For more information regarding the warranty please send any questions to sales@theoutdoorplus.com.

CLEARANCE FROM COMBUSTIBLES

INSTALLATION

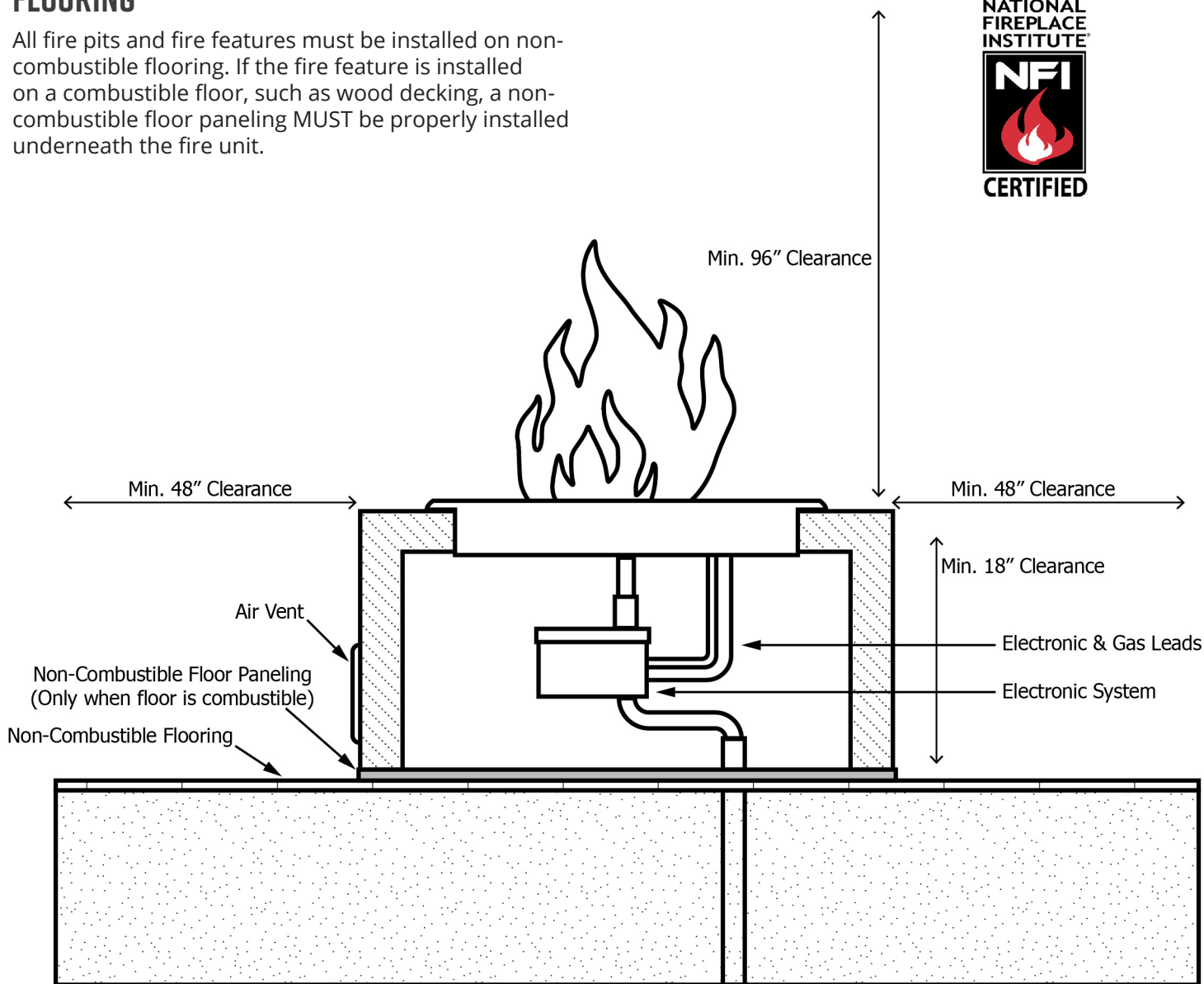
We suggest that our products be installed by professionals that are locally licensed by the authority having jurisdiction in gas piping.

FLOORING

All fire pits and fire features must be installed on non-combustible flooring. If the fire feature is installed on a combustible floor, such as wood decking, a non-combustible floor paneling **MUST** be properly installed underneath the fire unit.

SERVICE

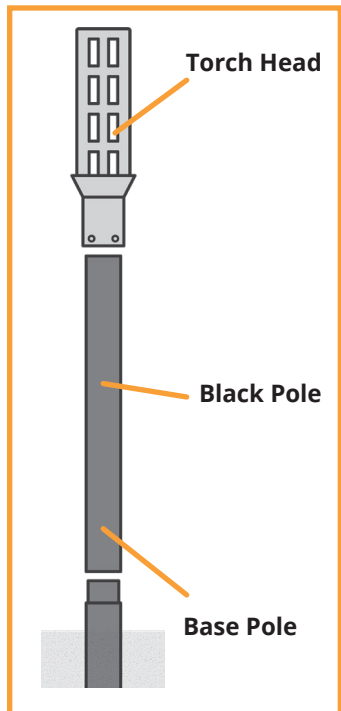
We suggest that our products be serviced by a professional certified in the US by the National Fireplace Institute (NFI) as NFI Gas Specialists.



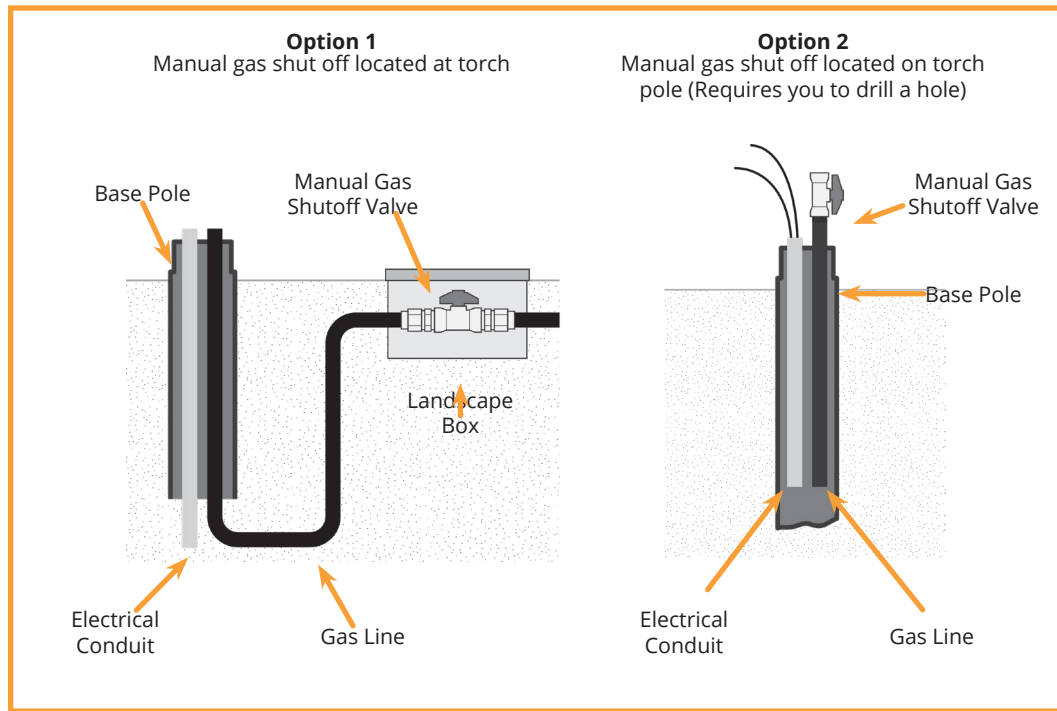
INSTALLATION

Note: Installation should be done by a qualified service technician that is locally licensed.

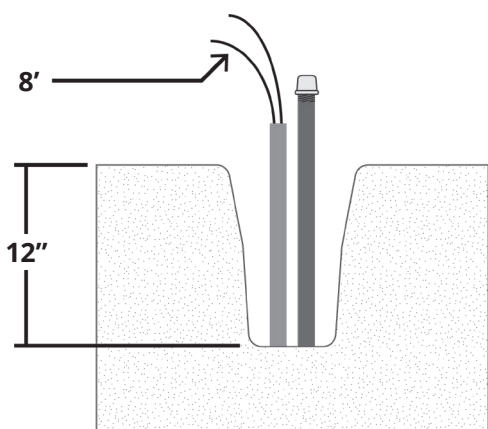
TIKI TORCH COMPONENTS



MANUAL SHUT OFF OPTIONS

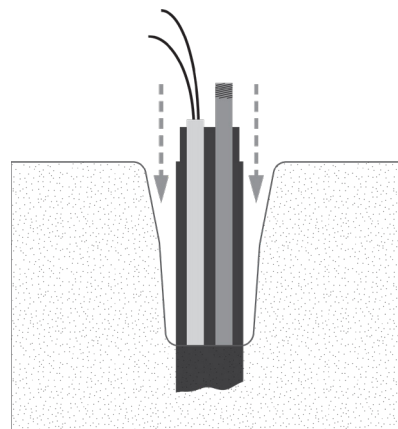


INSTALLATION OF BASE POLE



STEP 1

Diagram 1 shows $\frac{1}{2}$ " gas stub and an electrical conduit stubbed up inside a hole. The hole is 12" deep. The wire installed inside the conduit is low voltage landscape wire (12 gauge) and we pulled 8' of wire beyond the end of the conduit to have plenty to pull up through the poles in the Tiki.



STEP 2

Diagram 2 shows the Base Pole. Slide it over the Gas & Electric stubs. Adjust the height of the Base Pole so that the tapered top end of the Base Pole ended up above grade. Do this to make the connection between the Base Pole and the Tiki Pole easier later on.