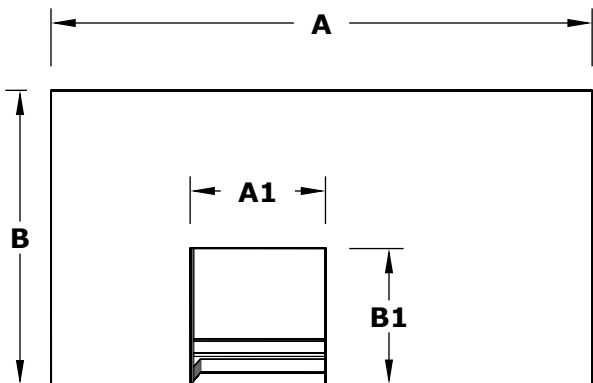


# Luxe - 64IBC Island - Counter Bar

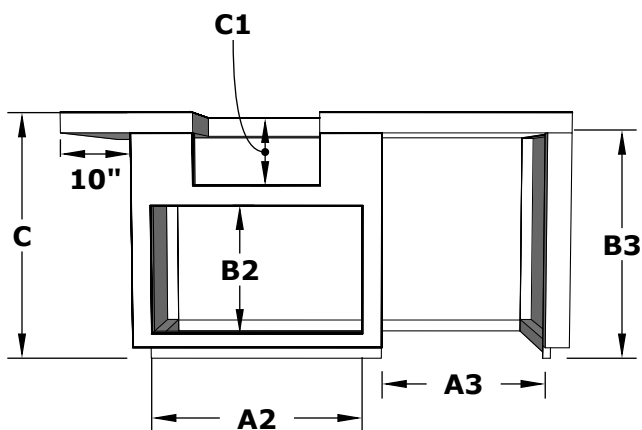
Metal



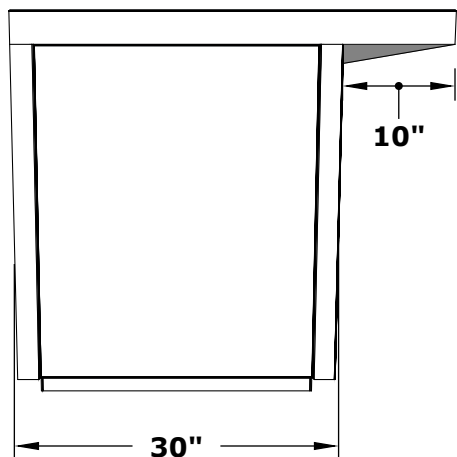
TOP VIEW

## SPECIFICATION

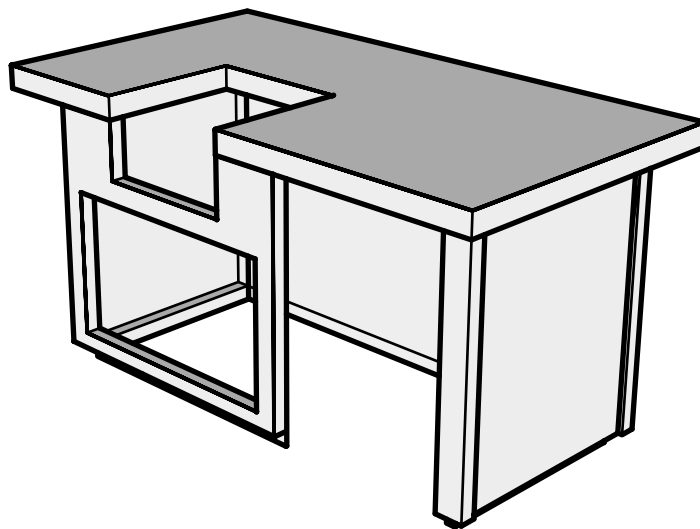
PART NUMBER	A	B	C
DG-64IBC-LUXE-CB	64"	40"	36"
CUT-OUT Dimension	A1	B1	C1
Beverage Bar	18¾"	18¼"	10½"
CUT-OUT Dimension	A2	B2	
Combo Door & Drawers	30¾"	18½"	
CUT-OUT Dimension	A3	B3	
Refrigerator	24"	33"	



FRONT SIDE VIEW



RIGHT SIDE VIEW



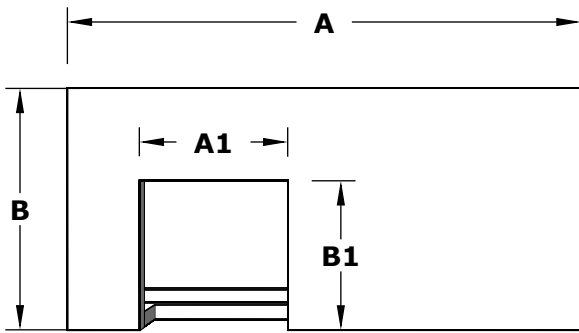
ISOMETRIC VIEW

Drawn By	Daniel M
Date Created	February 1, 2024

Proprietary & Confidential: The information contained in this drawing is the sole property of The Outdoor Plus. Any reproduction or as a whole without written permission of The Outdoor Plus is prohibited.

# Luxe - 64IBC Island - Table Top

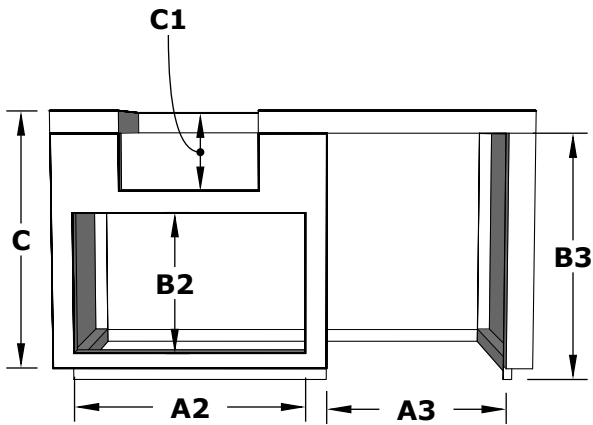
Metal



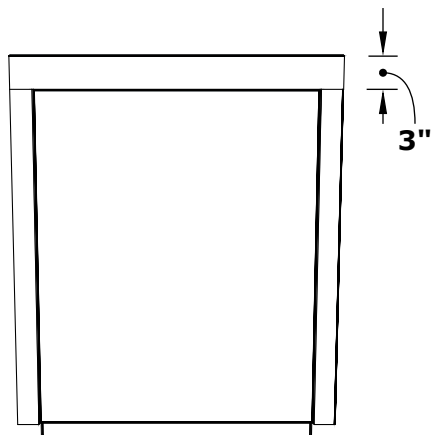
TOP VIEW

## SPECIFICATION

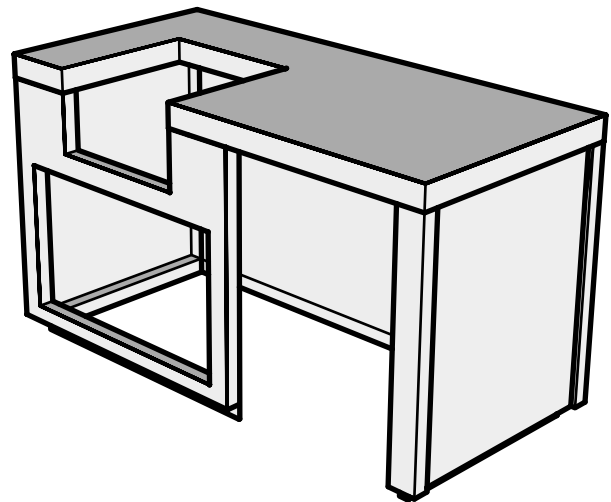
PART NUMBER	A	B	C
DG-64IBC-LUXE-TT	64"	30"	36"
CUT-OUT Dimension	A1	B1	C1
Beverage Bar	18¾"	18¼"	10½"
CUT-OUT Dimension	A2	B2	
Combo Door & Drawers	30¾"	18½"	
CUT-OUT Dimension	A3	B3	
Refrigerator	24"	33"	



FRONT SIDE VIEW



RIGHT SIDE VIEW



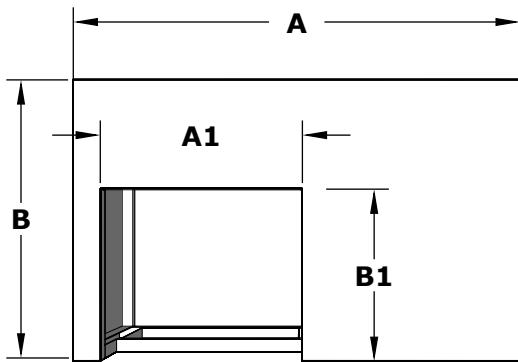
ISOMETRIC VIEW

Drawn By	Daniel M
Date Created	February 1, 2024

Proprietary & Confidential: The information contained in this drawing is the sole property of The Outdoor Plus. Any reproduction or as a whole without written permission of The Outdoor Plus is prohibited.

# Luxe - 64IGS Island - Counter Bar

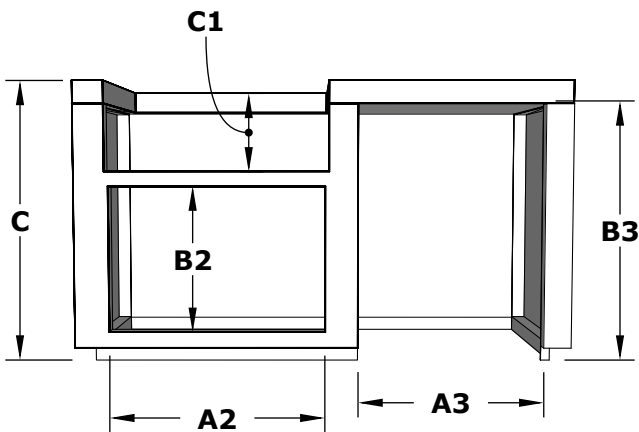
Metal



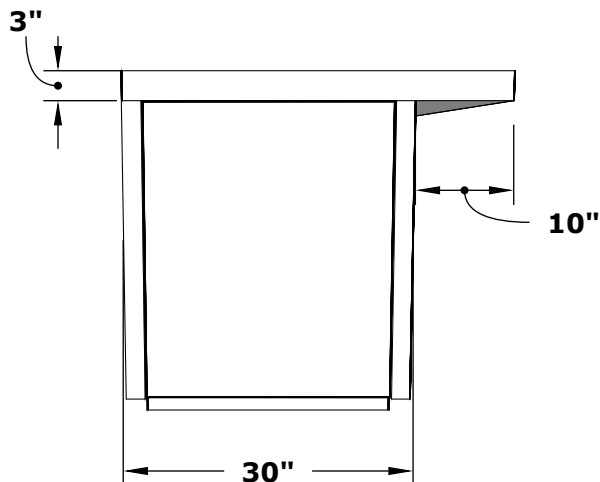
TOP VIEW

## SPECIFICATION

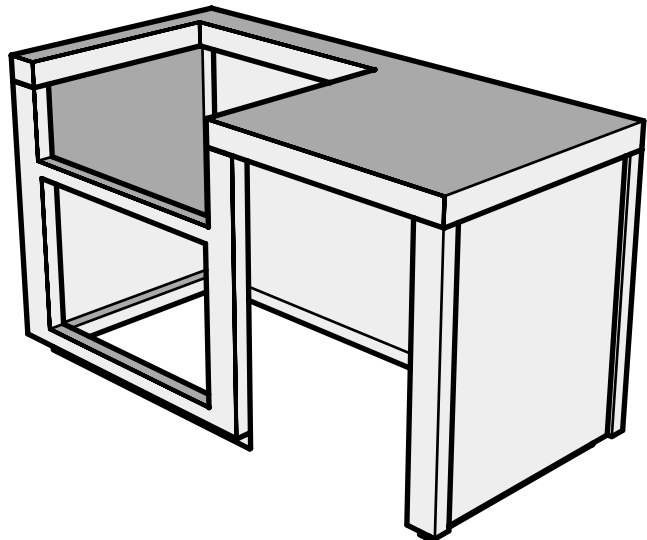
PART NUMBER	A	B	C
DG-64IGS-LUXE-CB	64"	40"	36"
CUT-OUT Dimension	A1	B1	C1
30" Griddle	28½"	24½"	11½"
CUT-OUT Dimension	A2	B2	
30" Double Door	27¾"	18½"	
CUT-OUT Dimension	A3	B3	
Refrigerator	24"	33"	



FRONT SIDE VIEW



RIGHT SIDE VIEW

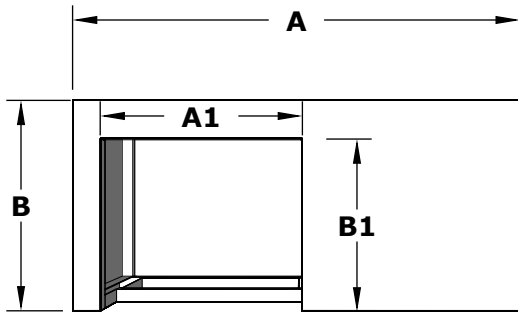


ISOMETRIC VIEW

Drawn By	Daniel M
Date Created	February 1, 2024

# Luxe - 64IGS Island - Table Top

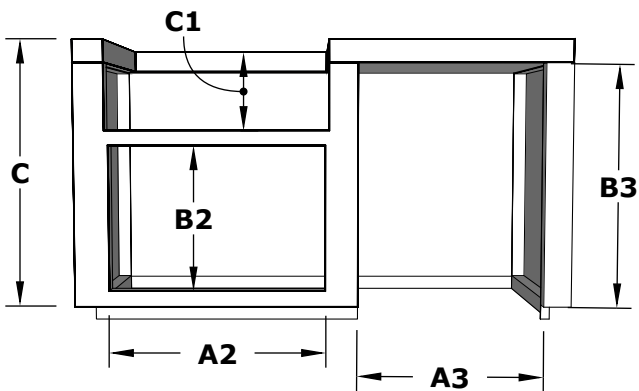
Metal



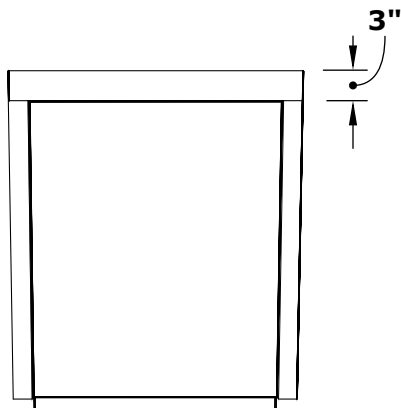
TOP VIEW

## SPECIFICATION

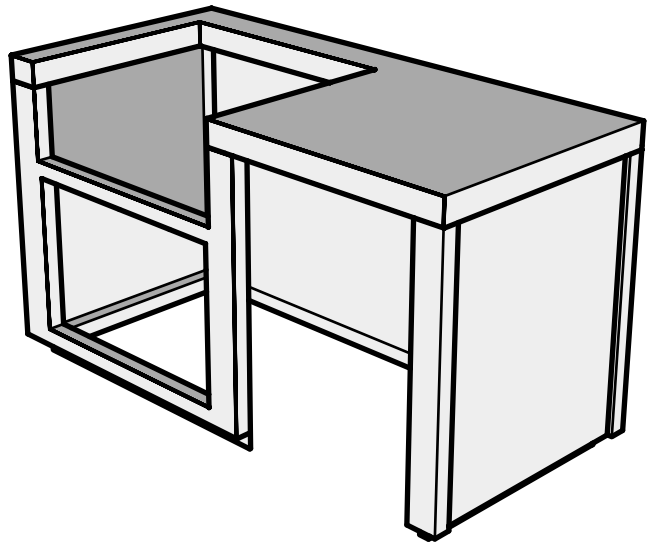
PART NUMBER	A	B	C
DG-64IGS-LUXE-TT	64"	30"	36"
CUT-OUT Dimension	A1	B1	C1
Griddle	28½"	24½"	11½"
CUT-OUT Dimension	A2	B2	
30" Double Door	27¾"	18½"	
CUT-OUT Dimension	A3	B3	
Refrigerator	24"	33"	



FRONT SIDE VIEW



RIGHT SIDE VIEW



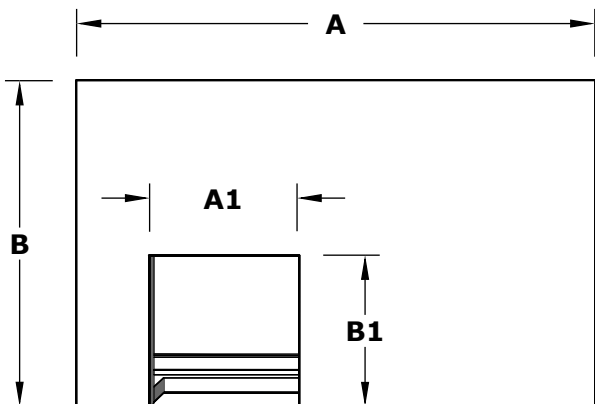
ISOMETRIC VIEW

Drawn By	Daniel M
Date Created	February 1, 2024

Proprietary & Confidential: The information contained in this drawing is the sole property of The Outdoor Plus. Any reproduction or as a whole without written permission of The Outdoor Plus is prohibited.

# Luxe - 74IBC Island - L Counter Bar

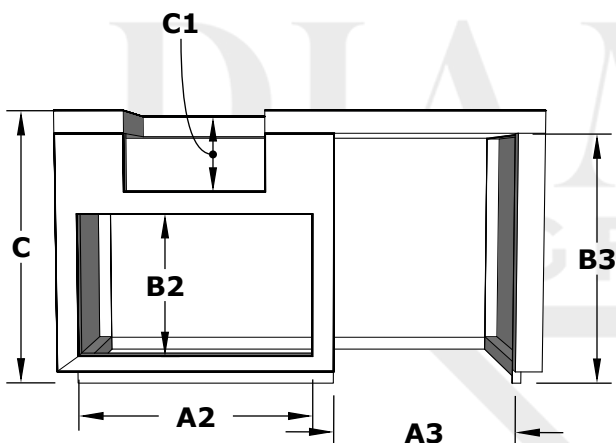
Metal



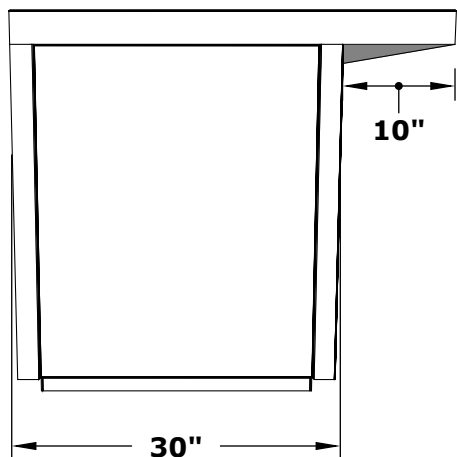
TOP VIEW

## SPECIFICATION

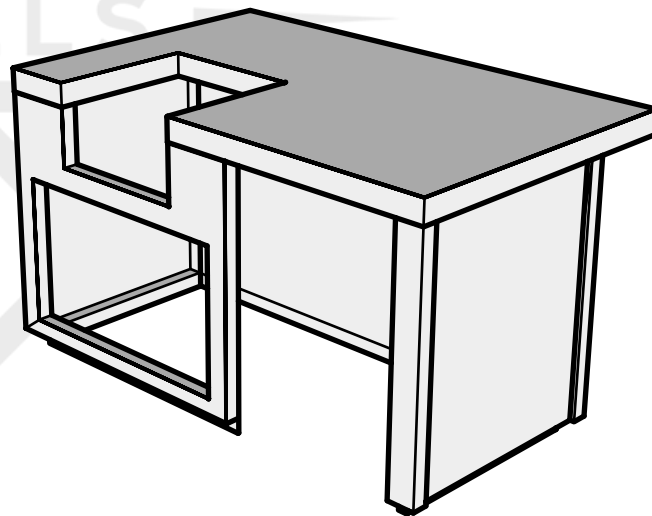
PART NUMBER	A	B	C
DG-74IBC-LUXE-LCB	74"	40"	36"
CUT-OUT Dimension	A1	B1	C1
Beverage Bar	18¾"	18¼"	10½"
CUT-OUT Dimension	A2	B2	
Combo Door & Drawers	30¾"	18½"	
CUT-OUT Dimension	A3	B3	
Refrigerator	24"	33"	



FRONT SIDE VIEW



RIGHT SIDE VIEW



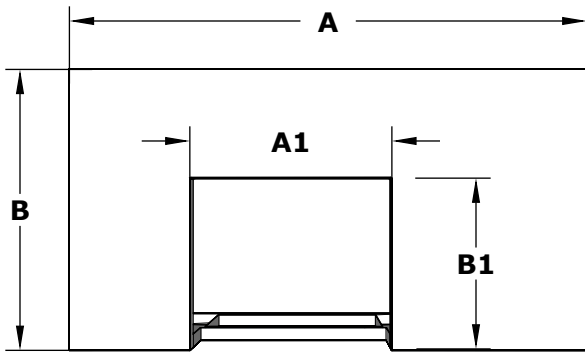
ISOMETRIC VIEW

Drawn By	Daniel M
Date Created	February 1, 2024

Proprietary & Confidential: The information contained in this drawing is the sole property of The Outdoor Plus. Any reproduction or as a whole without written permission of The Outdoor Plus is prohibited.

# Luxe - 74IGS Island - L Counter Bar

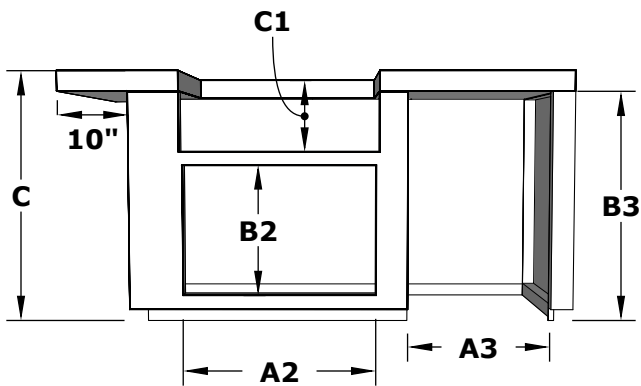
Metal



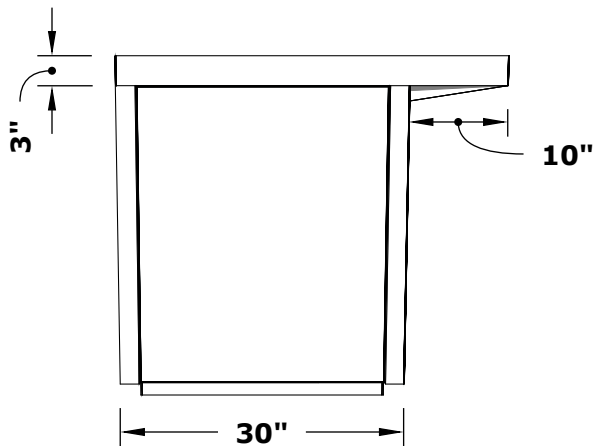
TOP VIEW

## SPECIFICATION

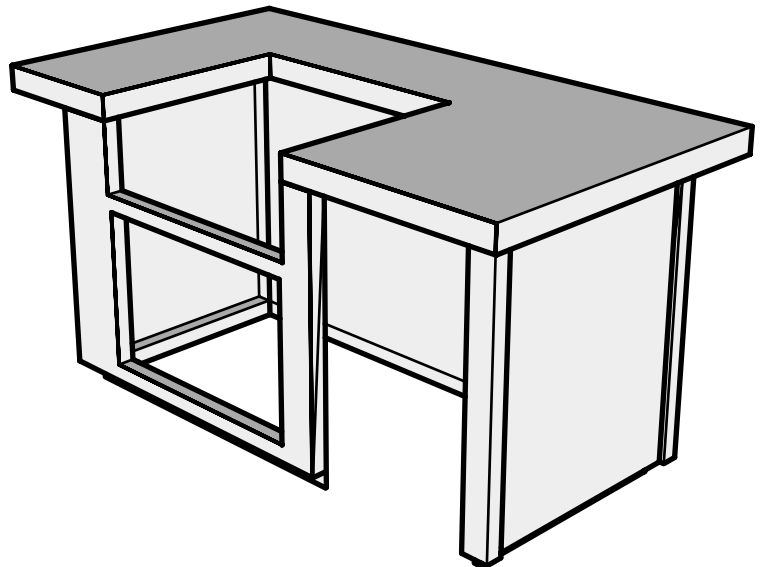
PART NUMBER	A	B	C
DG-74IGS-LUXE-LCB	74"	40"	36"
CUT-OUT Dimension	A1	B1	C1
30" Griddle	28½"	24½"	11½"
CUT-OUT Dimension	A2	B2	
30" Double Door	27¾"	18½"	
CUT-OUT Dimension	A3	B3	
Refrigerator	24"	33"	



FRONT SIDE VIEW



RIGHT SIDE VIEW



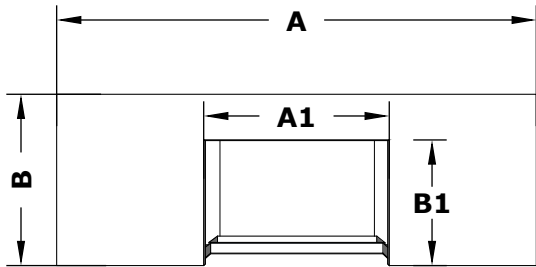
ISOMETRIC VIEW

Drawn By	Daniel M
Date Created	February 1, 2024

Proprietary & Confidential: The information contained in this drawing is the sole property of The Outdoor Plus. Any reproduction or as a whole without written permission of The Outdoor Plus is prohibited.

# Luxe - 84" Island Legacy

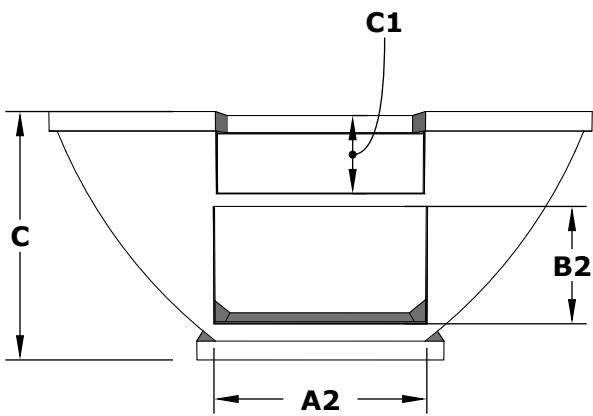
Metal



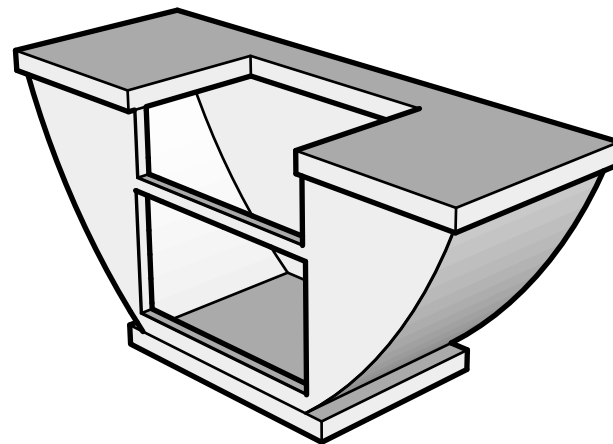
TOP VIEW

## SPECIFICATION

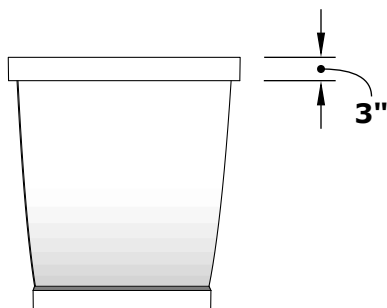
PART NUMBER	A	B	C
DG-84ILCY-LUXE	84"	30"	36"
CUT-OUT Dimension	A1	B1	C1
36" Grill	32½"	22"	10"
CUT-OUT Dimension	A2	B2	
36" Double Door	33¾"	18½"	



FRONT SIDE VIEW



ISOMETRIC VIEW



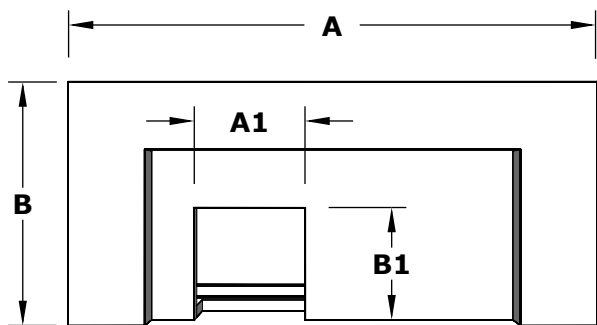
RIGHT SIDE VIEW

Drawn By	Daniel M
Date Created	February 1, 2024

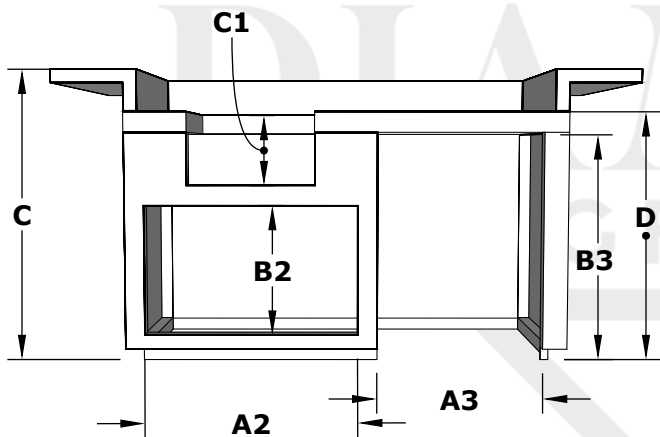
Proprietary & Confidential: The information contained in this drawing is the sole property of The Outdoor Plus. Any reproduction or as a whole without written permission of The Outdoor Plus is prohibited.

# Luxe - 84IBC Island - Raised Bar

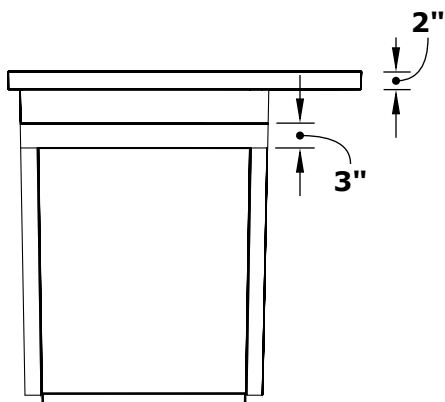
Metal



TOP VIEW



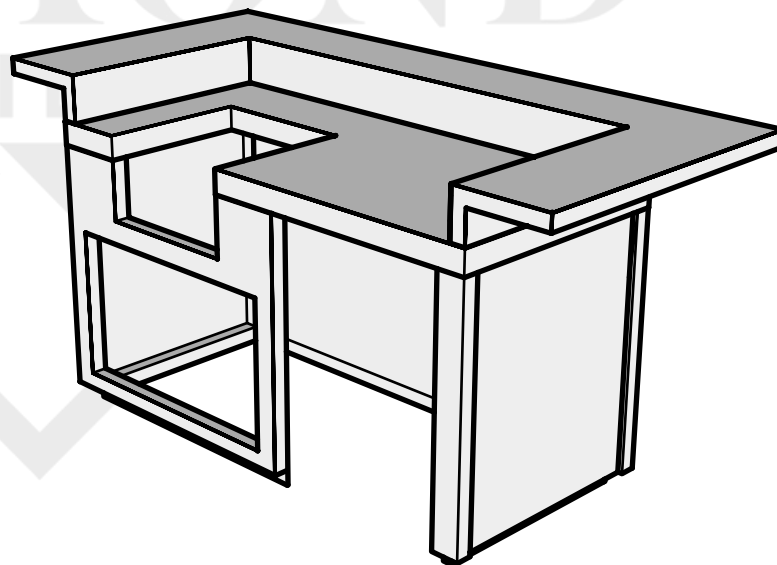
FRONT SIDE VIEW



RIGHT SIDE VIEW

## SPECIFICATION

PART NUMBER	A	B	C	D
DG-84IBC-LUXE-RB	84"	39"	42"	36"
<b>CUT-OUT Dimension</b>	<b>A1</b>	<b>B1</b>	<b>C1</b>	
Beverage Bar	18¾"	18¼"	10½"	
<b>CUT-OUT Dimension</b>	<b>A2</b>	<b>B2</b>		
Combo Door & Drawers	30¾"	18½"		
<b>CUT-OUT Dimension</b>	<b>A3</b>	<b>B3</b>		
Refrigerator	24"	33"		



ISOMETRIC VIEW

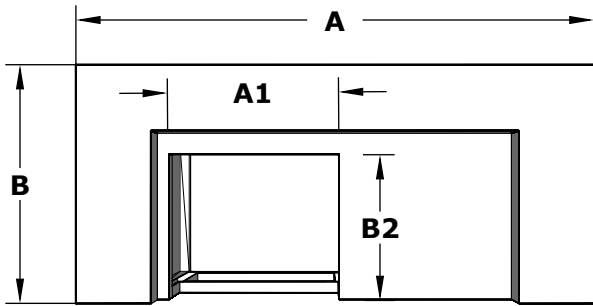
Drawn By	Daniel M
Date Created	February 1, 2024

Proprietary & Confidential: The information contained in this drawing is the sole property of The Outdoor Plus. Any reproduction or as a whole without written permission of The Outdoor Plus is prohibited.

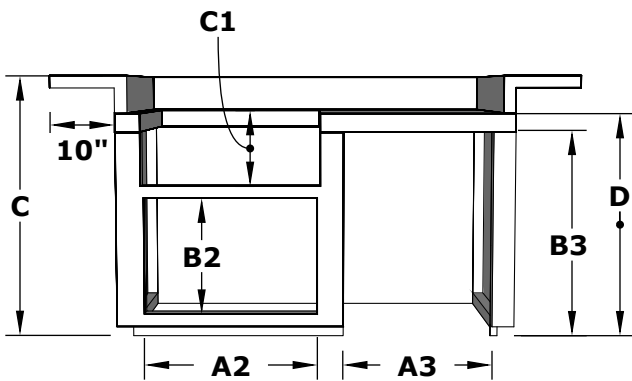


# Luxe - 84IGS Island - Raised Counter Bar

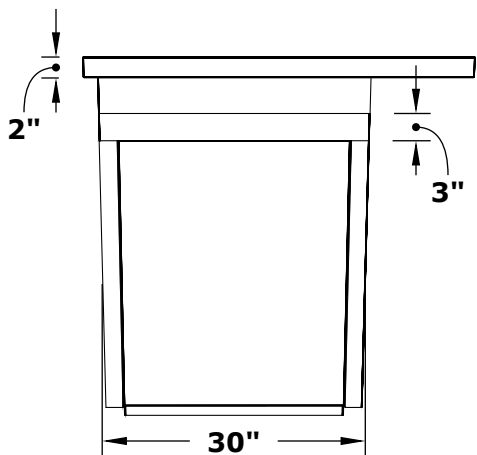
Metal



TOP VIEW



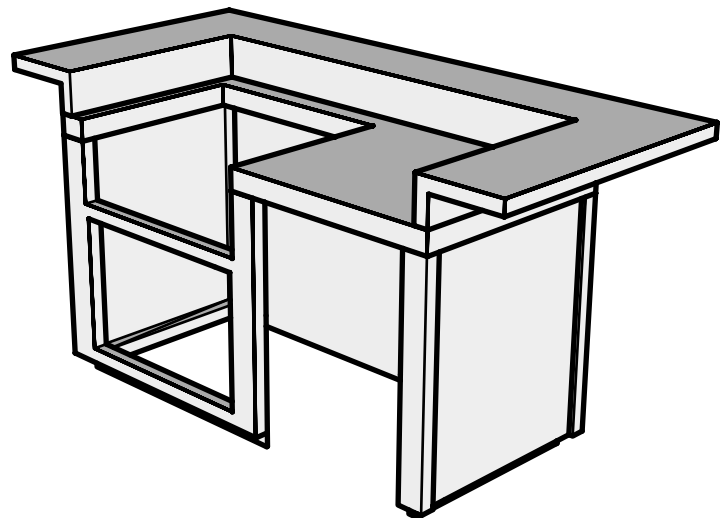
FRONT SIDE VIEW



RIGHT SIDE VIEW

## SPECIFICATION

PART NUMBER	A	B	C	D
DG-84IGS-LUXE-RB	84"	39"	42"	37"
<b>CUT-OUT Dimension</b>	<b>A1</b>	<b>B1</b>	<b>C1</b>	
Griddle	28½"	24½"	11½"	
<b>CUT-OUT Dimension</b>	<b>A2</b>	<b>B2</b>		
30" Double Door	27¾"	18½"		
<b>CUT-OUT Dimension</b>	<b>A3</b>	<b>B3</b>		
Refrigerator	24"	33"		



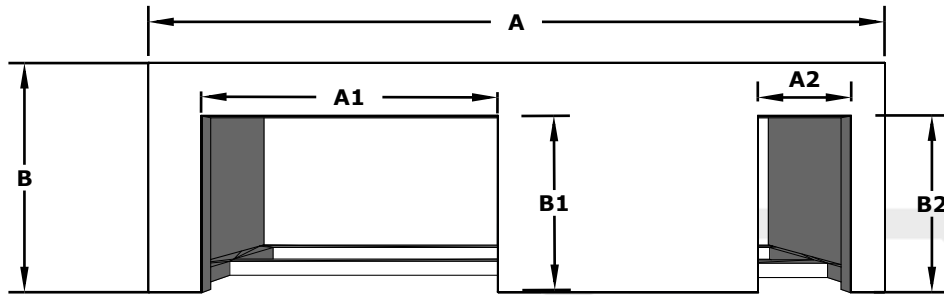
ISOMETRIC VIEW

Drawn By	Daniel M
Date Created	February 1, 2024

Proprietary & Confidential: The information contained in this drawing is the sole property of The Outdoor Plus. Any reproduction or as a whole without written permission of The Outdoor Plus is prohibited.

# Luxe - 96I Island

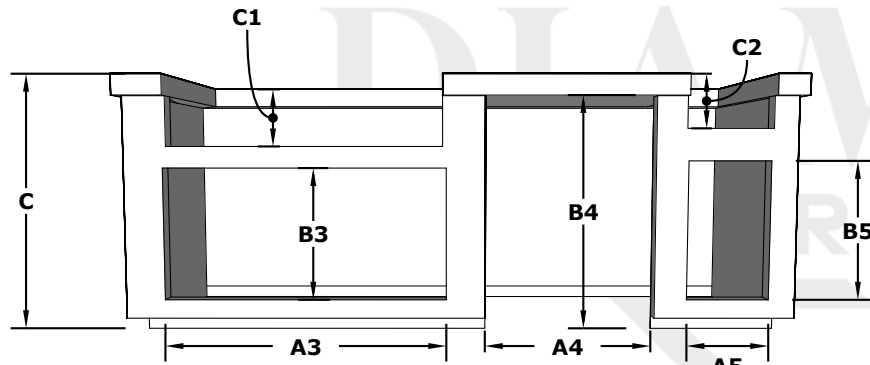
Metal



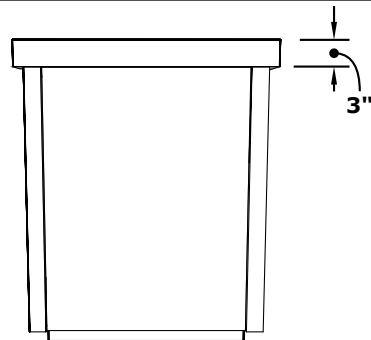
TOP VIEW

## SPECIFICATION

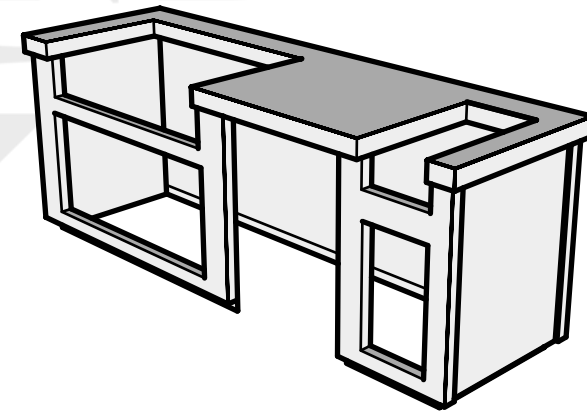
PART NUMBER	A	B	C
DG-96I-LUXE	96"	30"	36"
<b>CUT-OUT Dimension</b>	<b>A1</b>	<b>B1</b>	<b>C1</b>
36" Grill	32½"	22"	10"
<b>CUT-OUT Dimension</b>	<b>A2</b>	<b>B2</b>	<b>C2</b>
Double Side Burner	12¼"	20½"	7½"
<b>CUT-OUT Dimension</b>	<b>A3</b>	<b>B3</b>	
36" Double Access Doors	33¾"	18½"	
<b>CUT-OUT Dimension</b>	<b>A4</b>	<b>B4</b>	
Refrigerator	24"	33"	
<b>CUT-OUT Dimension</b>	<b>A5</b>	<b>B5</b>	
Triple Access Drawers	11¾"	19½"	



FRONT SIDE VIEW



RIGHT SIDE VIEW

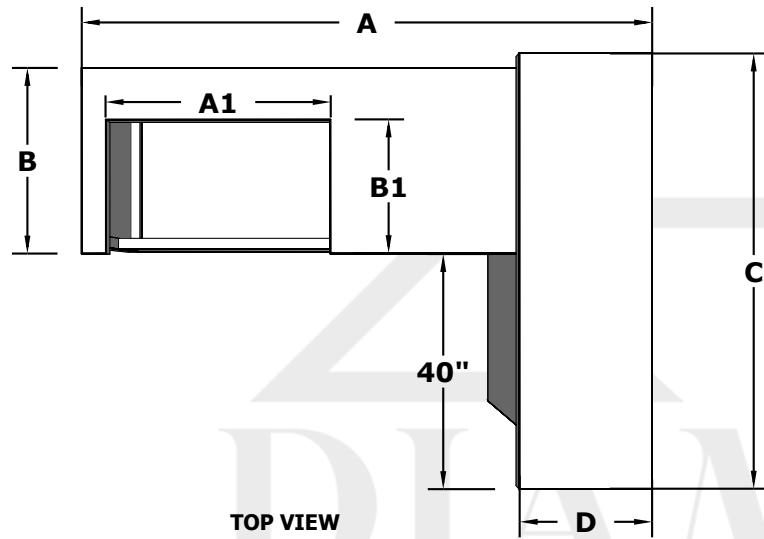


ISOMETRIC VIEW

Drawn By	Daniel M
Date Created	February 1, 2024

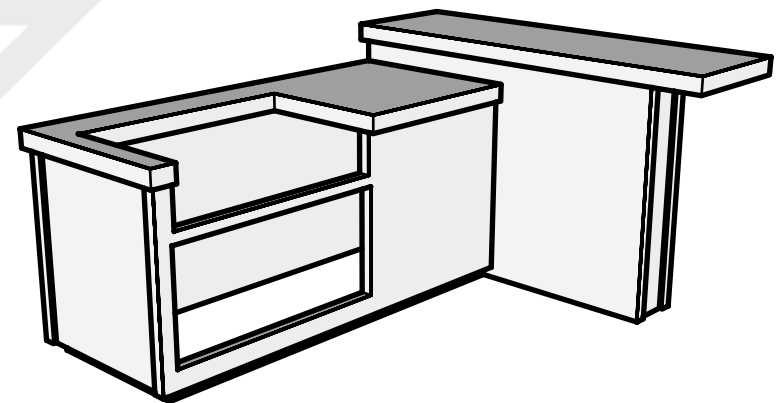
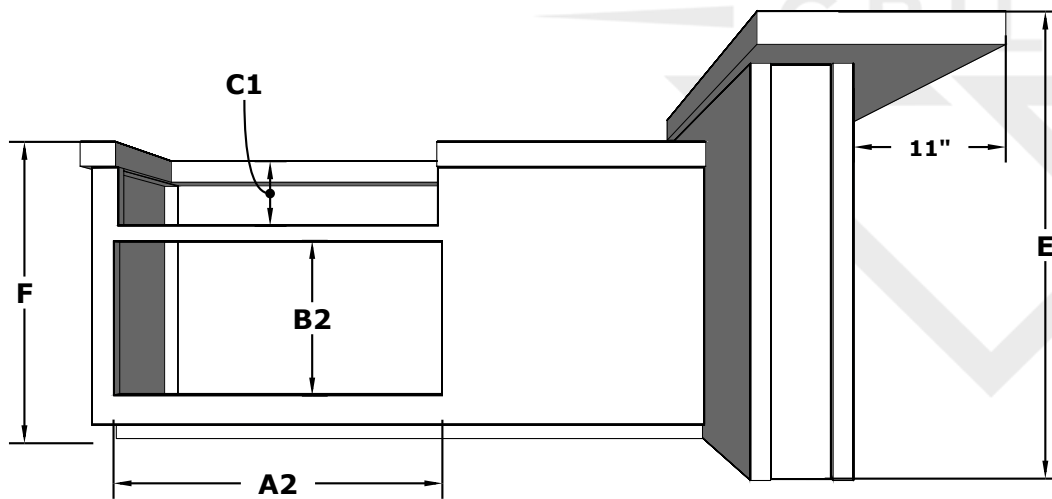
# Luxe - 96L Island

Metal



## SPECIFICATION

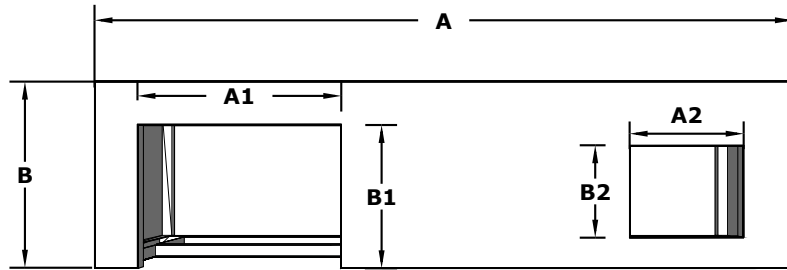
PART NUMBER	A	B	C	D	E	F
DG-96L-LUXE	96"	30"	42"	22"	42"	36"
<b>CUT-OUT Dimension</b>	<b>A1</b>	<b>B1</b>	<b>C1</b>			
36" Grill	32½"	22"	10"			
<b>CUT-OUT Dimension</b>	<b>A2</b>	<b>B2</b>				
36" Double Access Doors	33¾"	18½"				



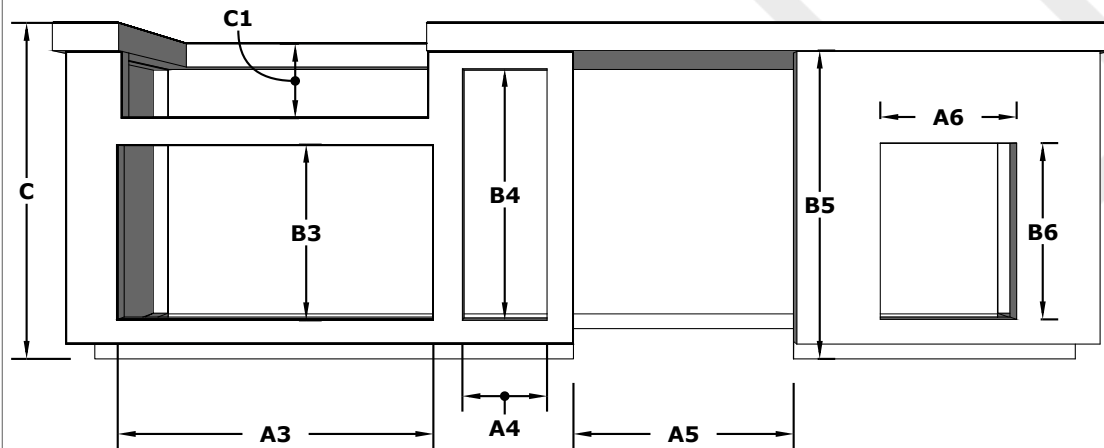
Drawn By	Daniel M
Date Created	February 1, 2024

# Luxe - 112I Island

Metal



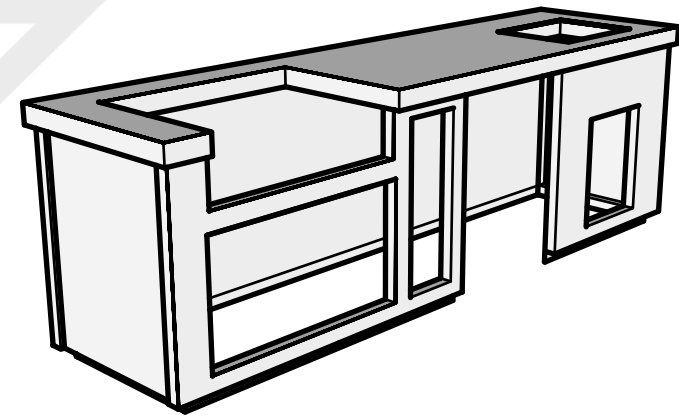
TOP VIEW



FRONT SIDE VIEW

## SPECIFICATION

PART NUMBER	A	B	C
DG-112I-LUXE	112"	30"	36"
<b>CUT-OUT Dimension</b>	<b>A1</b>	<b>B1</b>	<b>C1</b>
36" Grill	32½"	22"	10"
<b>CUT-OUT Dimension</b>	<b>A2</b>	<b>B2</b>	
Sink	19¾"	16"	
<b>CUT-OUT Dimension</b>	<b>A3</b>	<b>B3</b>	
36" Double Doors	33¾"	18½"	
<b>CUT-OUT Dimension</b>	<b>A4</b>	<b>B4</b>	
Pantry Drawer	9¼"	26¾"	
<b>CUT-OUT Dimension</b>	<b>A5</b>	<b>B5</b>	
Refrigerator	24"	33"	
<b>CUT-OUT Dimension</b>	<b>A6</b>	<b>B6</b>	
Multi-Purpose Door	15"	19"	

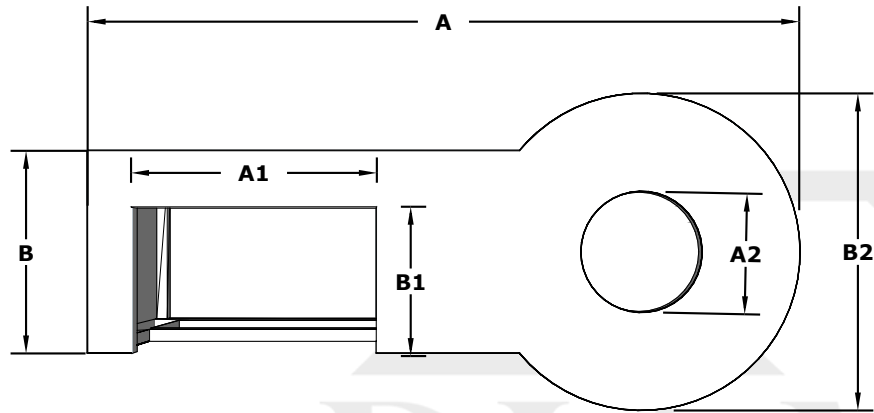


ISOMETRIC VIEW

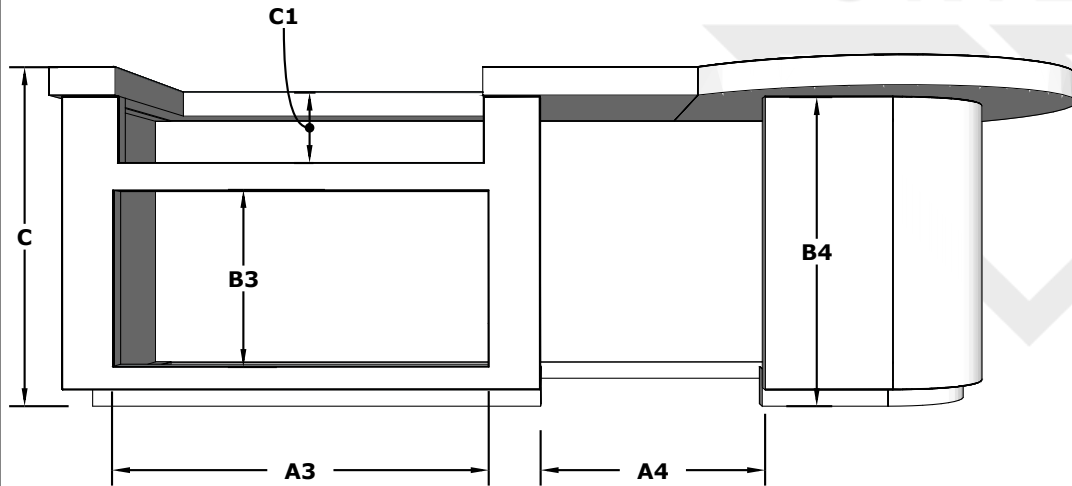
Drawn By	Daniel M
Date Created	February 1, 2024

# Luxe - 112IFP Island

Metal



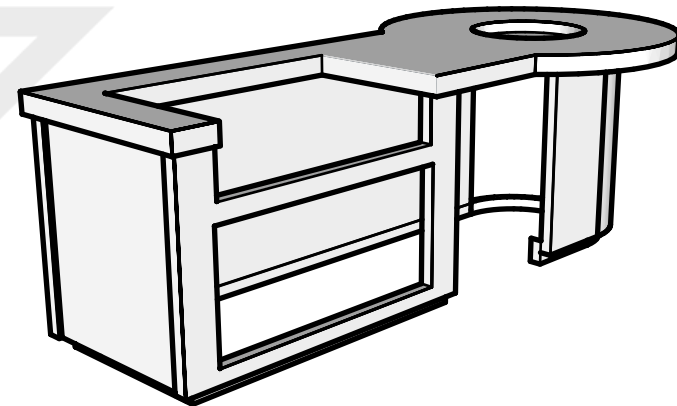
TOP VIEW



FRONT SIDE VIEW

## SPECIFICATION

PART NUMBER	A	B	C
DG-112IFP-LUXE	112"	30"	36"
CUT-OUT Dimension	A1	B1	C1
42" Grill	38¼"	22"	10"
CUT-OUT Dimension	A2	B2	
Fire Pit	19"	50"	
CUT-OUT Dimension	A3	B3	
42" Double Doors	39¼"	18¼"	
CUT-OUT Dimension	A4	B4	
Refrigerator	24"	33"	



ISOMETRIC VIEW

Drawn By	Daniel M
Date Created	February 1, 2024