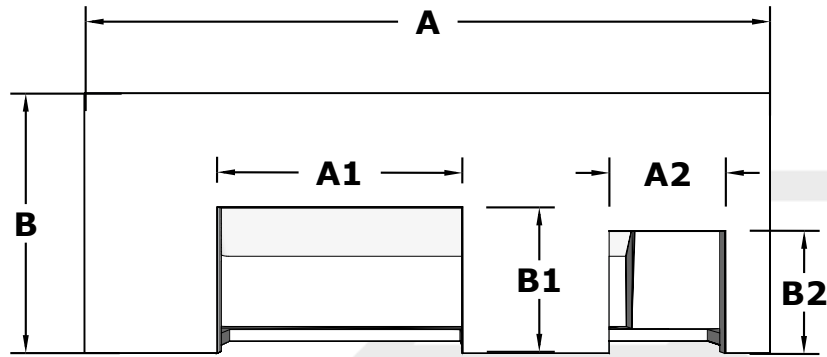


Maestro - 108I Island - Counter Bar

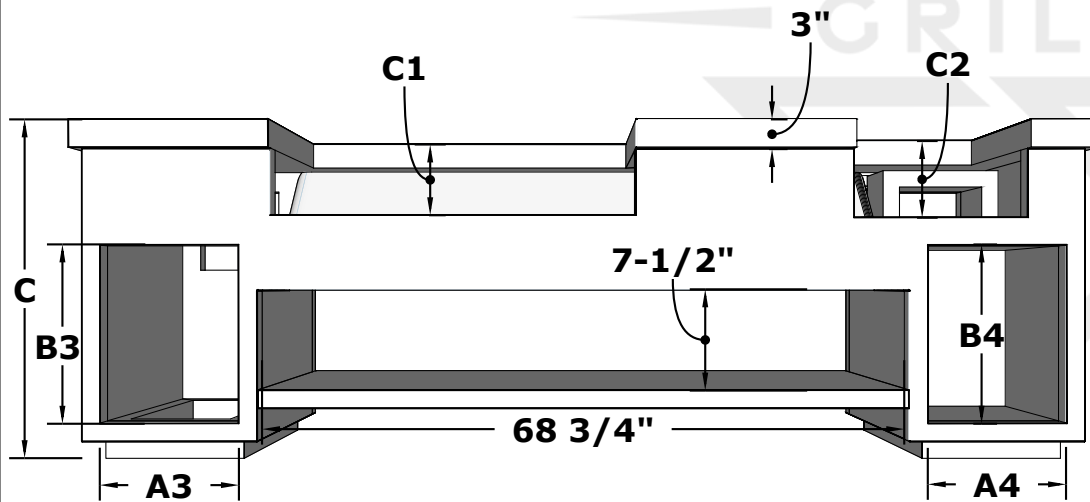
Metal



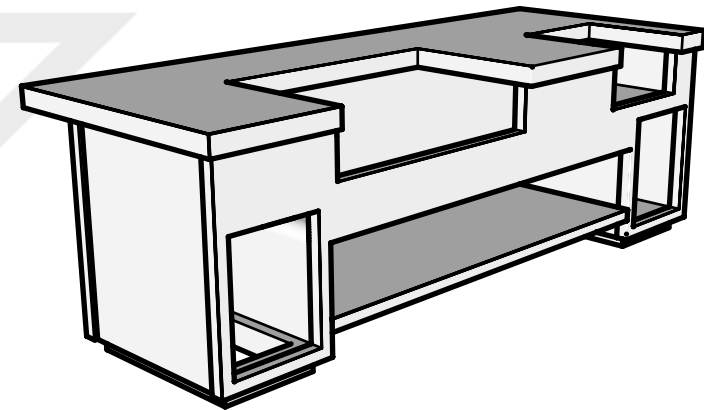
TOP VIEW

SPECIFICATION

PART NUMBER	A	B	C
DG-108I-MSTR-CB	108"	40"	36"
CUT-OUT Dimension	A1	B1	C1
42" Grill	38½"	22"	10"
CUT-OUT Dimension	A2	B2	C2
Beverage Bar	18¾"	18¼"	10½"
CUT-OUT Dimension	A3	B3	
18" Single Door	16"	18 5/8"	
CUT-OUT Dimension	A4	B4	
18" Single Door	16"	18 5/8"	



FRONT SIDE VIEW

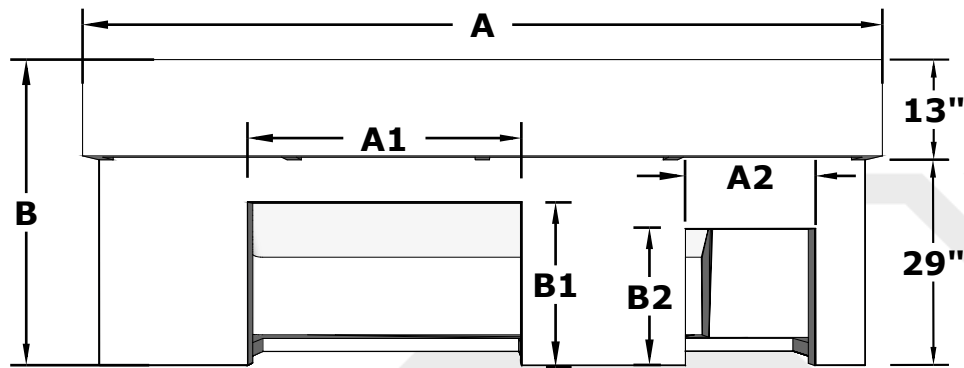


ISOMETRIC VIEW

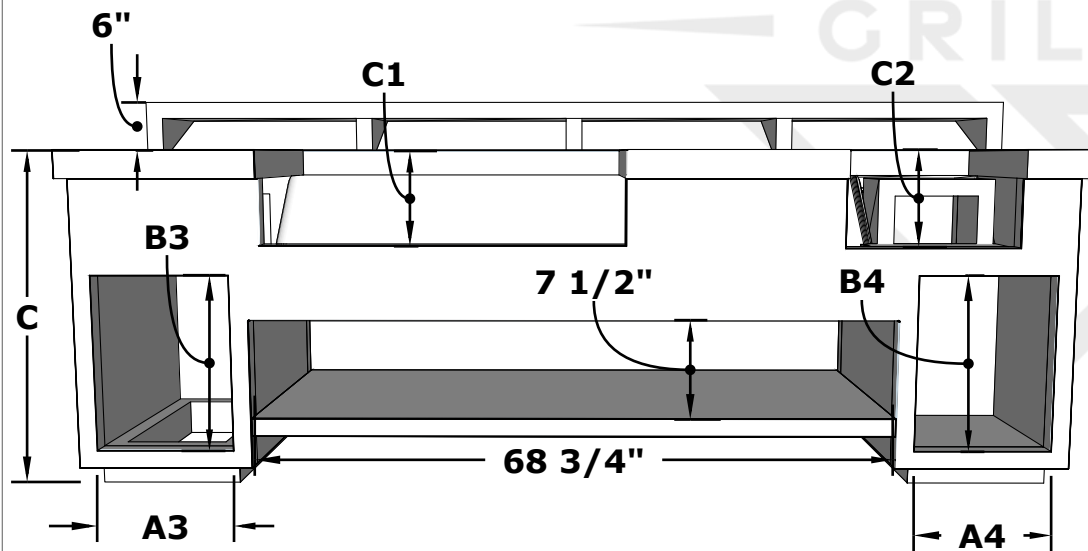
Drawn By	Daniel M
Date Created	February 1, 2024

Maestro - 108I Island - Raised Bar

Metal



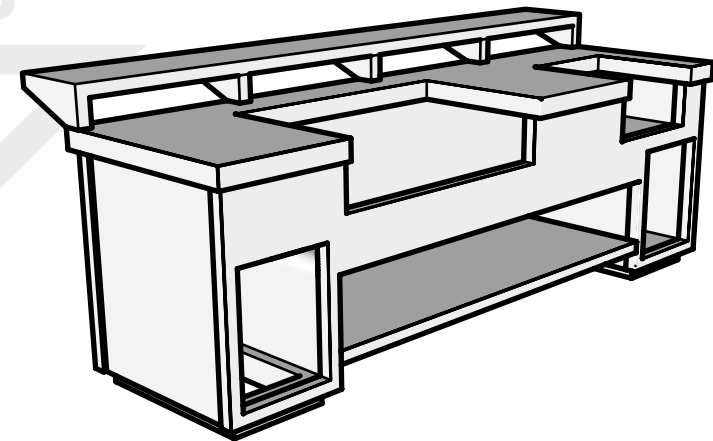
TOP VIEW



FRONT SIDE VIEW

SPECIFICATION

PART NUMBER	A	B	C
DG-108I-MSTR-RB	108"	42"	36"
CUT-OUT Dimension	A1	B1	C1
42" Grill	38 1/2"	22"	10"
CUT-OUT Dimension	A2	B2	C2
Beverage Bar	18 3/4"	18 1/4"	10 1/2"
CUT-OUT Dimension	A3	B3	
18" Single Door	16"	18 5/8"	
CUT-OUT Dimension	A4	B4	
18" Single Door	16"	18 5/8"	

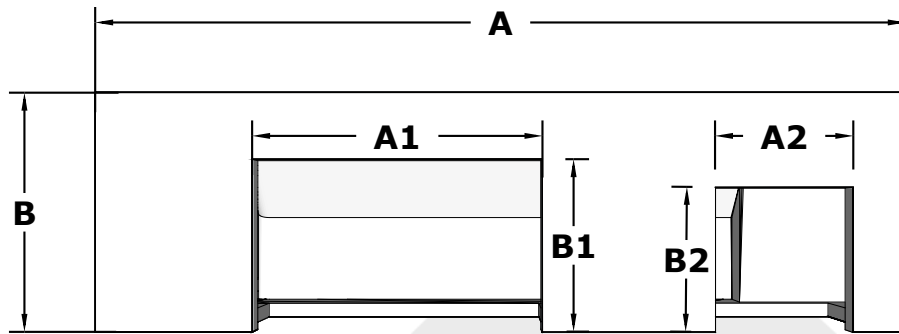


ISOMETRIC VIEW

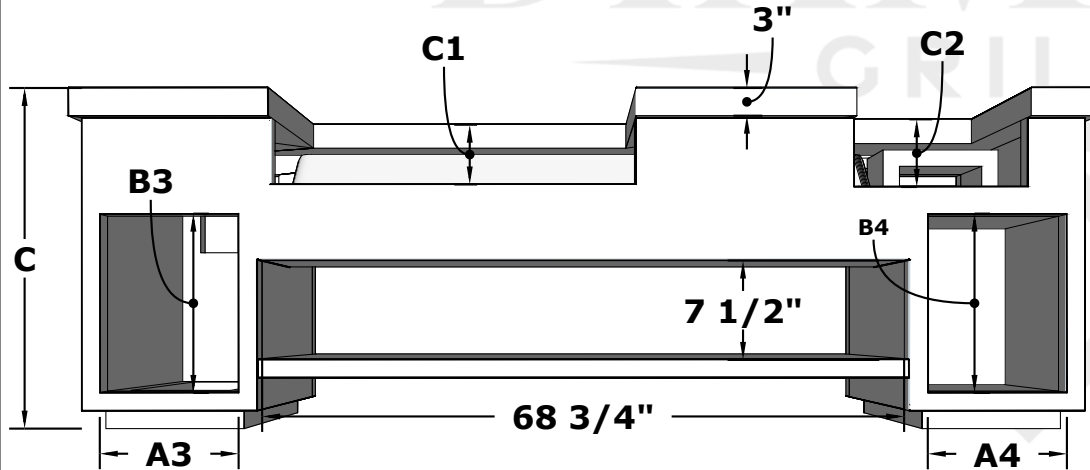
Drawn By	Daniel M
Date Created	February 1, 2024

Maestro - 108I Island - Table Top

Metal



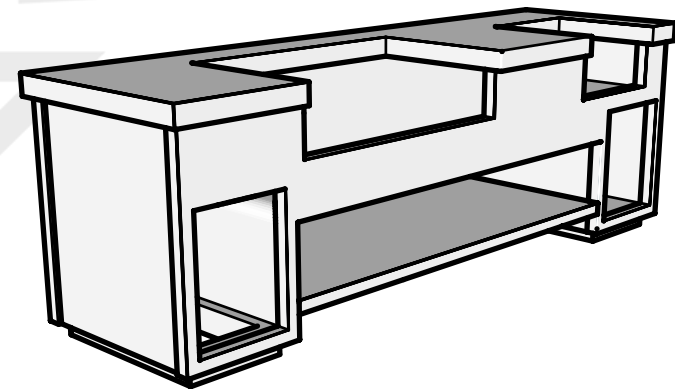
TOP VIEW



FRONT SIDE VIEW

SPECIFICATION

PART NUMBER	A	B	C
DG-108I-MSTR-TT	108"	30"	36"
CUT-OUT Dimension	A1	B1	C1
42" Grill	38 1/4"	22"	10"
CUT-OUT Dimension	A2	B2	C2
Beverage Bar	18 3/4"	18 1/4"	10 1/2"
CUT-OUT Dimension	A3	B3	
18" Single Door	16"	18 5/8"	
CUT-OUT Dimension	A4	B4	
18" Single Door	16"	18 5/8"	

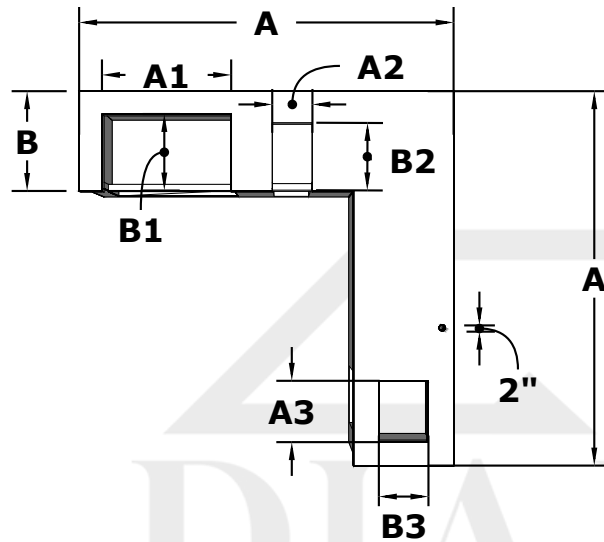


ISOMETRIC VIEW

Drawn By	Daniel M
Date Created	February 1, 2024

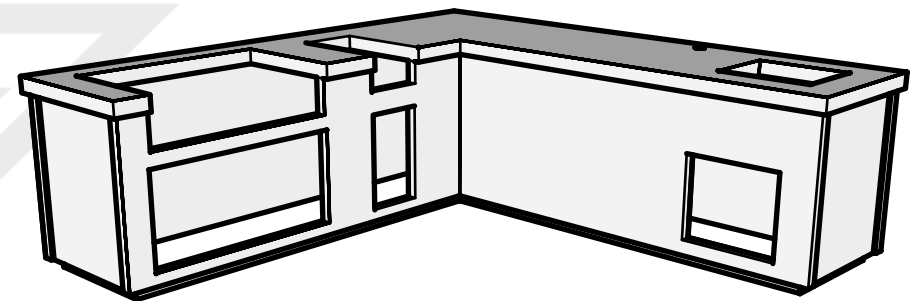
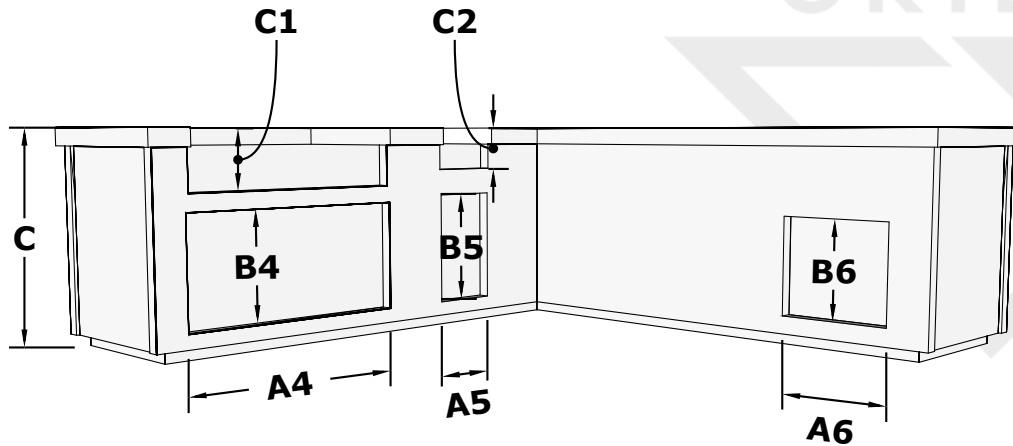
Maestro - 112L Island

Metal



SPECIFICATION

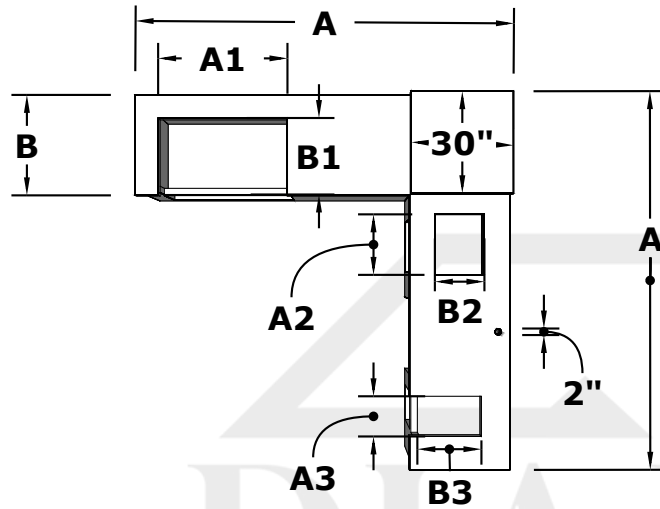
PART NUMBER	A	B	C
DG-112L-MSTR	112"	30"	36"
CUT-OUT Dimension	A1	B1	C1
42" Grill	38¼"	22"	10"
CUT-OUT Dimension	A2	B2	C2
Double Side Burner	12¼"	20½"	7½"
CUT-OUT Dimension	A3	B3	
Sink	19¾"	16"	
CUT-OUT Dimension	A4	B4	
42" Double Door	39¾"	18½"	
CUT-OUT Dimension	A5	B5	
Triple Drawer	11¾"	19½"	
CUT-OUT Dimension	A6	B6	
Multi-Purpose Door	15"	19"	



Drawn By	Daniel M
Date Created	February 1, 2024

Maestro - 112LB Island

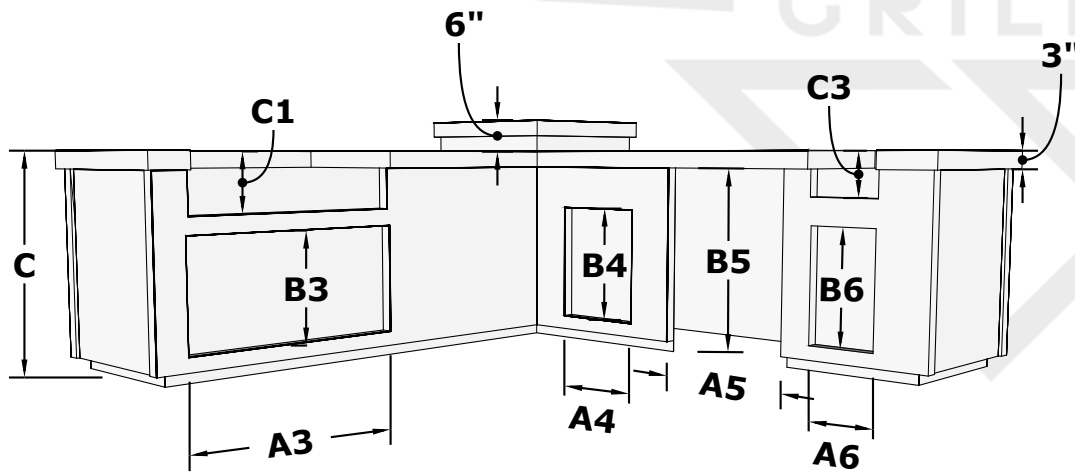
Metal



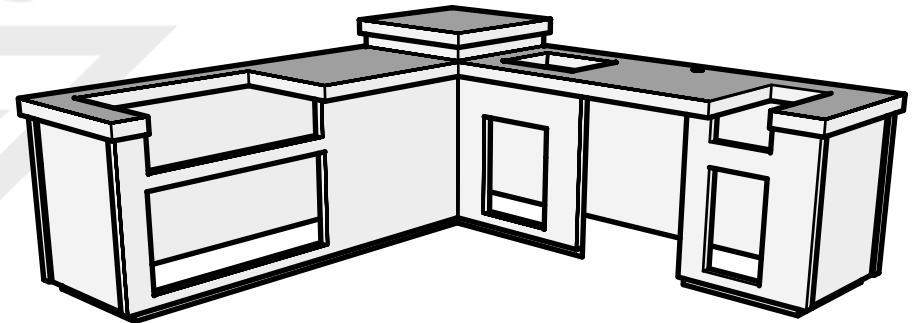
TOP VIEW

SPECIFICATION

PART NUMBER	A	B	C
DG-112LB-MSTR	112"	30"	36"
CUT-OUT Dimension	A1	B1	C1
42" Grill	38¼"	22"	10"
CUT-OUT Dimension	A2	B2	
Sink	19¾"	16"	
CUT-OUT Dimension	A3	B3	C3
Double Side Burner	12¼"	20½"	7½"
CUT-OUT Dimension	A4	B4	
42" Double Door	39½"	18½"	
CUT-OUT Dimension	A5	B5	
Multi-Purpose Door	15"	19"	
CUT-OUT Dimension	A6	B6	
Triple Drawer	11¾"	19½"	



FRONT SIDE VIEW

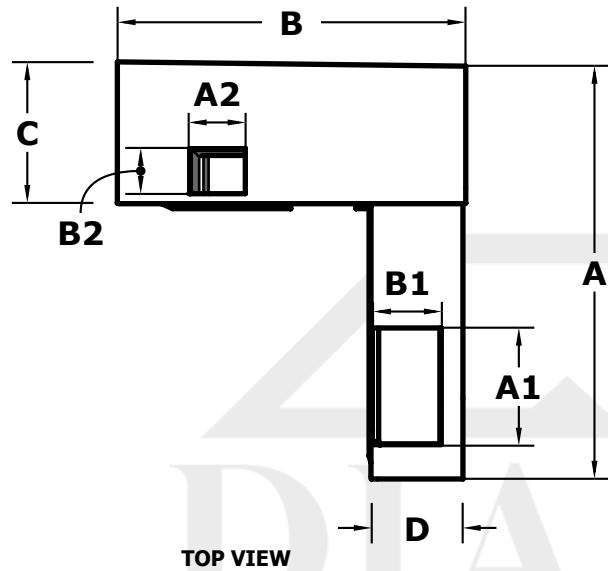


ISOMETRIC VIEW

Drawn By	Daniel M
Date Created	February 1, 2024

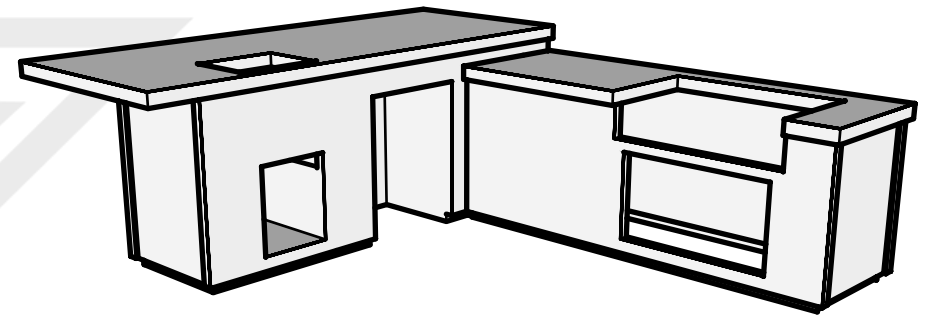
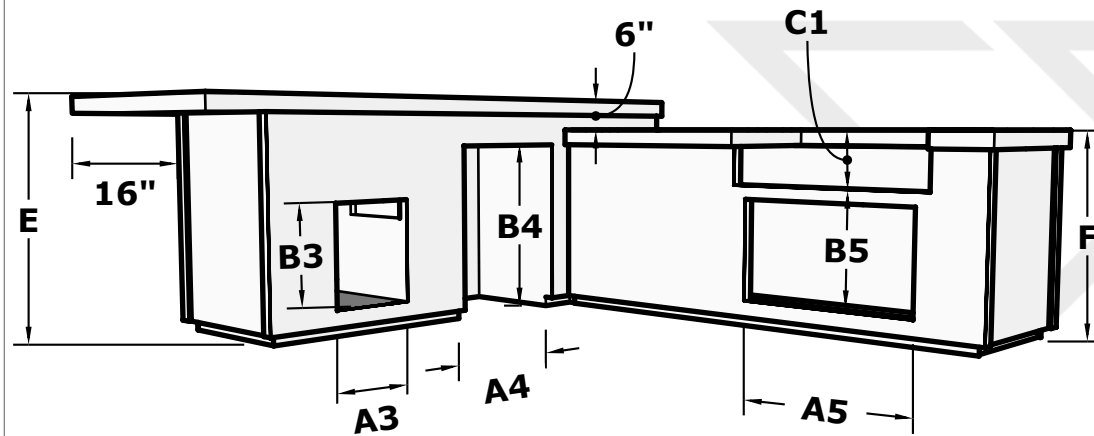
Maestro - 134L Island

Metal



SPECIFICATION

PART NUMBER	A	B	C	D	E	F
DG-134L-MSTR	134"	112"	46"	30"	42"	36"
CUT-OUT Dimension	A1	B1	C1			
42" Grill	38¼"	22"	10"			
CUT-OUT Dimension	A2	B2				
Sink	19¾"	16"				
CUT-OUT Dimension	A3	B3				
Multi-Purpose Door	15"	19"				
CUT-OUT Dimension	A4	B4				
Refrigerator	24"	33"				
CUT-OUT Dimension	A5	B5				
42" Double Door	39½"	18½"				



Drawn By	Daniel M
Date Created	February 1, 2024

Maestro - 144L Island

Metal

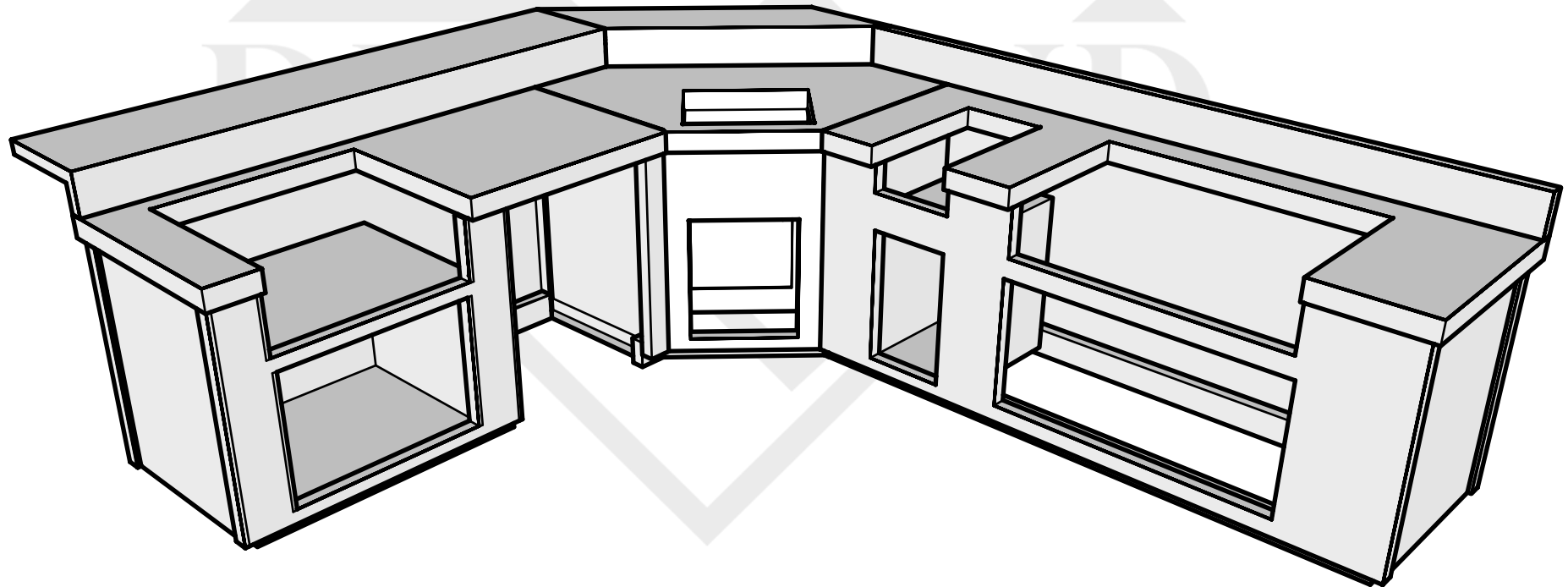


SPECIFICATION

PART NUMBER	A	B	C	D	E	F
DG-144L-MSTR	144"	114"	44"	30"	42"	36"
CUT-OUT Dimension	A1	B1	C1			
30" Griddle	28½"	24½"	11½"			
CUT-OUT Dimension	A2	B2				
Sink	19¾"	16"				
CUT-OUT Dimension	A3	B3	C3			
Double Side Burner	12¼"	20½"	7½"			

CUT-OUT Dimension	A4	B4	C4
42" Grill	38¼"	22"	10"
CUT-OUT Dimension	A5	B5	
30" Double Door	27¾"	18½"	
CUT-OUT Dimension	A6	B6	
Refrigerator	24"	33"	
CUT-OUT Dimension	A7	B7	
Multi-Purpose Door	15"	19½"	

CUT-OUT Dimension	A8	B8
Triple Access Drawer	11¾"	19½"
CUT-OUT Dimension	A9	B9
42" Double Door	39½"	18½"



ISOMETRIC VIEW

<i>Drawn By</i>	Daniel M
<i>Date Created</i>	February 1, 2024

Proprietary & Confidential: The information contained in this drawing is the sole property of **The Outdoor Plus**. Any reproduction or as a whole without written permission of **The Outdoor Plus** is prohibited.

Maestro - 144L Island

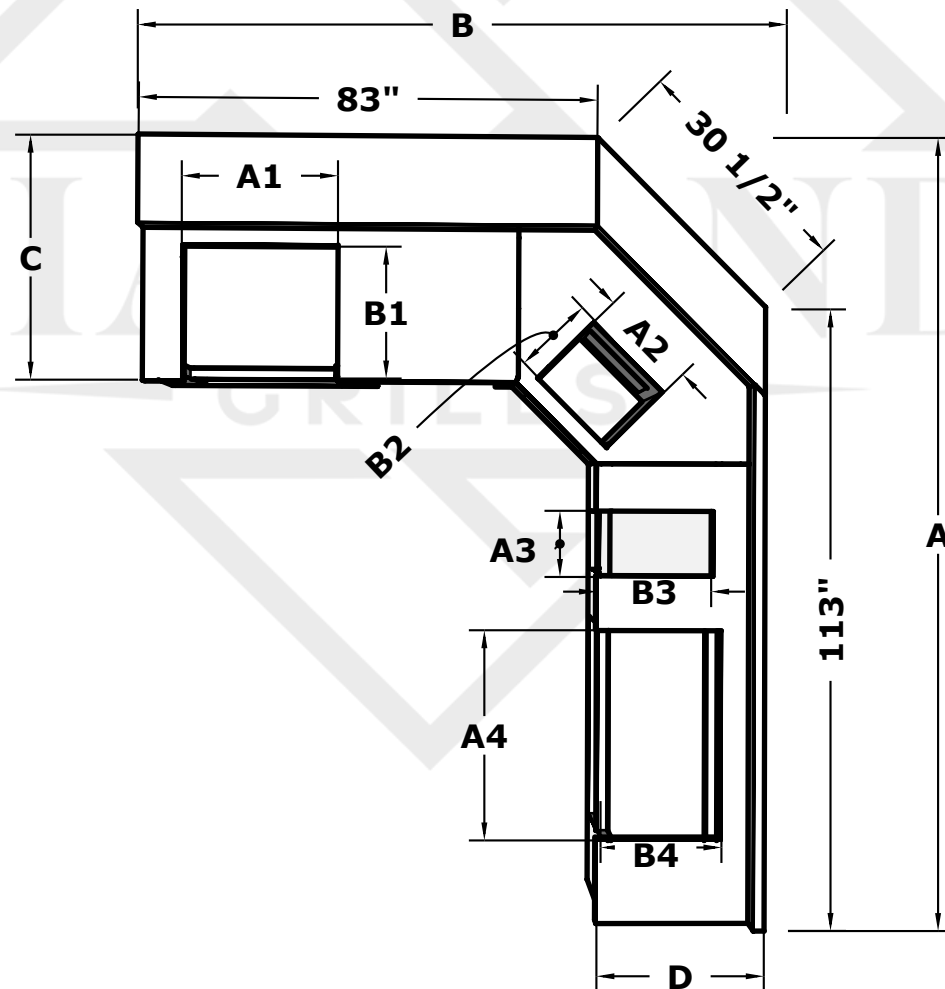
Metal



SPECIFICATION

PART NUMBER	A	B	C	D	E	F
DG-144L-MSTR	144"	114"	44"	30"	42"	36"
CUT-OUT Dimension	A1	B1	C1			
30" Griddle	28½"	24½"	11½"			
CUT-OUT Dimension	A2	B2				
Sink	19¾"	16"				

CUT-OUT Dimension	A3	B3	C3
Double Side Burner	12¼"	20½"	7½"
CUT-OUT Dimension	A4	B4	C4
42" Grill	38¼"	22"	10"



ISOMETRIC VIEW

Drawn By	Daniel M
Date Created	February 1, 2024

Maestro - 144L Island

Metal

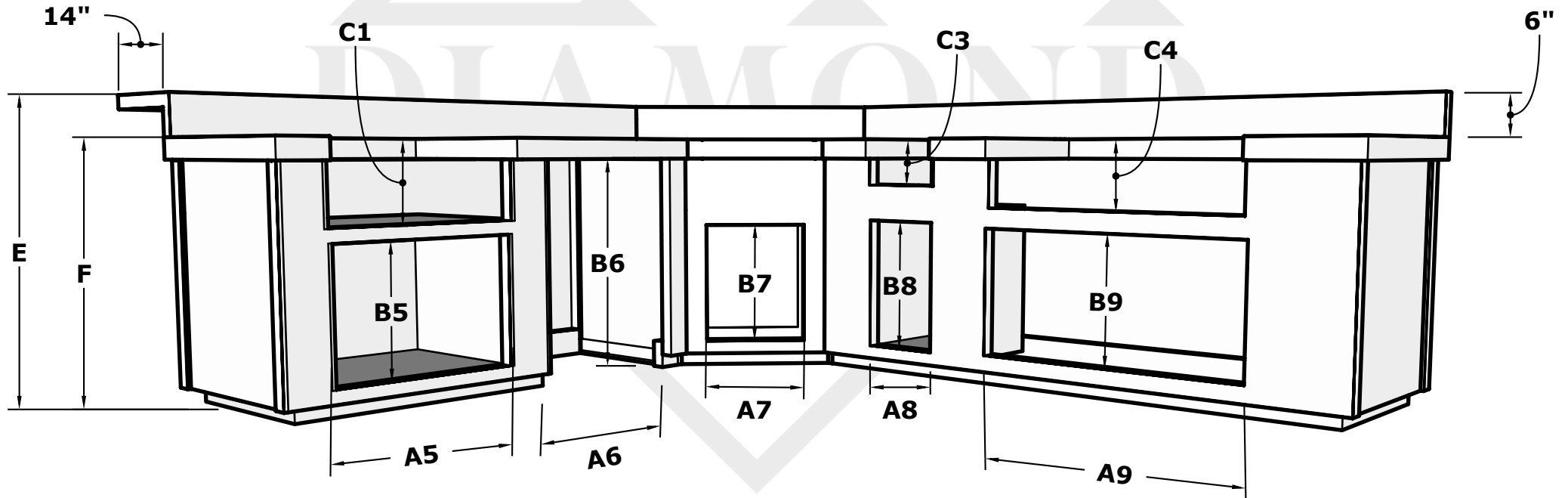


SPECIFICATION

PART NUMBER	A	B	C	D	E	F
DG-144L-MSTR	144"	114"	44"	30"	42"	36"
CUT-OUT Dimension	A1	B1	C1			
30" Griddle	28½"	24½"	11½"			
CUT-OUT Dimension	A2	B2				
Sink	19¾"	16"				
CUT-OUT Dimension	A3	B3	C3			
Double Side Burner	12¼"	20½"	7½"			

CUT-OUT Dimension	A4	B4	C4
42" Grill	38¼"	22"	10"
CUT-OUT Dimension	A5	B5	
30" Double Door	27¾"	18½"	
CUT-OUT Dimension	A6	B6	
Refrigerator	24"	33"	
CUT-OUT Dimension	A7	B7	
Multi-Purpose Door	15"	19½"	

CUT-OUT Dimension	A8	B8
Triple Access Drawer	11¾"	19½"
CUT-OUT Dimension	A9	B9
42" Double Door	39½"	18½"



ISOMETRIC VIEW

Drawn By	Daniel M
Date Created	February 1, 2024