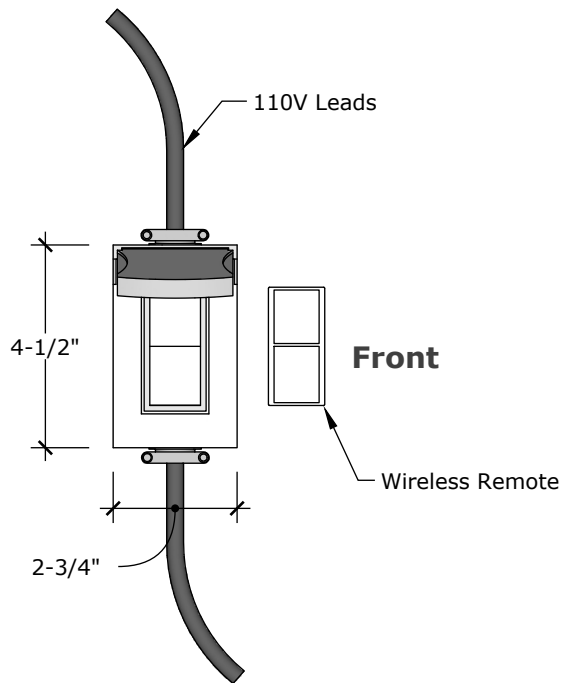


Isometric

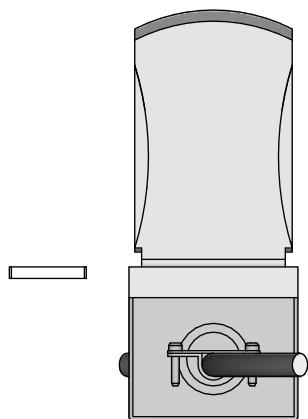


Front

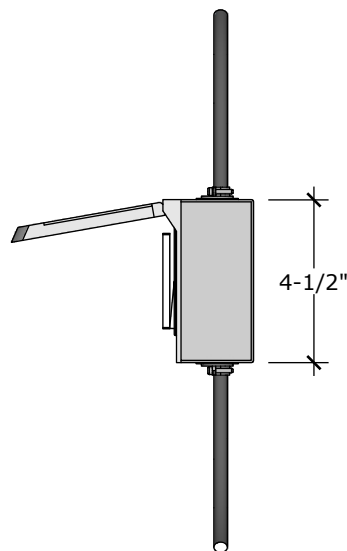
**110V Remote Control with
Wireless Receiver**

Part Number	OPT-RC110V
Suited for 110V Only	
110VAC Leads Included	

Bottom



Right Side



Left Side

