

# TIKI TORCH [ELECTRONIC]

## OWNER'S MANUAL



**INSTALLER:** Leave this Manual with the appliance.  
**CONSUMER:** Retain this manual for future reference.

## WARNING

Improper installation, adjustment, alteration, service or maintenance can cause injury or property damage. Read the installation, operating and maintenance instructions thoroughly before installing or servicing this equipment.

## WARNING

Do not store or use gasoline or other flammable vapors and liquids in vicinity of this or any other appliance. An LP-cylinder not connected for use shall not be stored in the vicinity of this or any other appliance.

## WARNING

FOR OUTDOOR USE ONLY

## WARNING

For Use with NATURAL or LP GAS Only  
NO SOLID FUELS TO BE USED WITH THIS SYSTEM

## WARNING

If you smell gas:

1. Shut off gas to the appliance.
2. Extinguish any open flame.
3. If odor continues, keep away from appliance and immediately call your gas supplier or fire department.

## WARNING

For use with natural gas or liquid propane only.

Do not use charcoal or other solid fuel in gas burning appliances.

Do not use your fire feature for cooking.

Always adhere to the specified clearances listed in this manual.

Never allow clothing or other flammable materials come in contact with any hot surface until it has fully cooled.

Never wear loose fitting or hanging garments while using your fire feature. Fabric may ignite and result in personal injury.



## WARNING

Carbon Monoxide Hazard.

This Appliance can produce carbon monoxide which has no odor.

Using it in an enclosed space can kill you.

Never use this appliance in enclosed space such as a camper, tent, car or home.

## WARNING

Installation must conform with local codes or, in the absence of local codes, with the *National Fuel Gas Code, ANSI Z223.1 / NFPA 54, or International Fuel Gas Code.*

The appliance, when installed, must be electrically grounded in accordance with local codes or, in the absence of local codes, with the National Electric Code, ANSI/NFPA 70, if applicable.

## **DANGER**

Propane gas source to the fire pit must be regulated.  
Do not operate if regulator has been removed. Fire or explosion can occur.

## **BURN HAZARD**

While the fire unit is operating the outside surface may reach high temperatures which may cause burns. Never leave children unattended in the area where the fire unit is being used. Close supervision of children is necessary when any appliance is used near children. Never leave the fire pit unattended when in use.

Do not reach over your fire unit when hot or in use.

## **SAFETY**

Keep all electrical supply cords away from the heated areas of the fire feature.  
Clothing or other flammable materials should not be hung from the appliance, or placed on or near the appliance.

## **Proposition 65 Warning**

Operating, servicing and maintaining this appliance can expose you to chemicals including Carbon Monoxide and Lead which are known to the State of California to cause cancer, birth defects or other reproductive harm. For more information go to [www.Prop65Warnings.ca.gov](http://www.Prop65Warnings.ca.gov)

# GAS REQUIREMENTS

**FUEL TYPE:** Before making gas connections ensure appliance being installed is compatible with the available gas type. Check the label on the appliance to confirm appliance gas type requirement.

**GAS PRESSURE:** Proper input gas pressures are required for optimum appliance performance.

<b>PRESSURE</b>	<b>NATURAL GAS</b>	<b>PROPANE</b>
Minimum	3.5" W.C.	8.0" W.C.
Nominal	7.0" W.C.	11.0 W.C.
Maximum	½ PSI (14.0" W.C.)	½ PSI (14.0" W.C.)

# ELECTRICAL REQUIREMENTS

The All-Weather Electronic Ignition System is designed to operate exclusively on a 12V DC power supply.

**DO NOT Attempt to Power using 110 Volts – Damage WILL RESULT**

**Acceptable Input Voltages to Supplied 12 Volt DC Transformer:** 110 / 210 / 220 / 240 Volt AC

Supplied 12 Volt DC Transformer compatible with all voltages listed above.

**Read Label on supplied transformer for proper connection information**

Recommended Wire Size: **12 Gauge wire for all installations**

# TIMING SPECIFICATIONS

Pre-Purge: **3.25 Seconds**

HSI Warm Up: **5 Seconds**

Trials: **3**

Trial For Ignition: **30 Seconds**

Flame Failure Response: **16 Seconds MAX**

Inter Trial Time: **27 Seconds**

Flame Loss Recycles: **15**

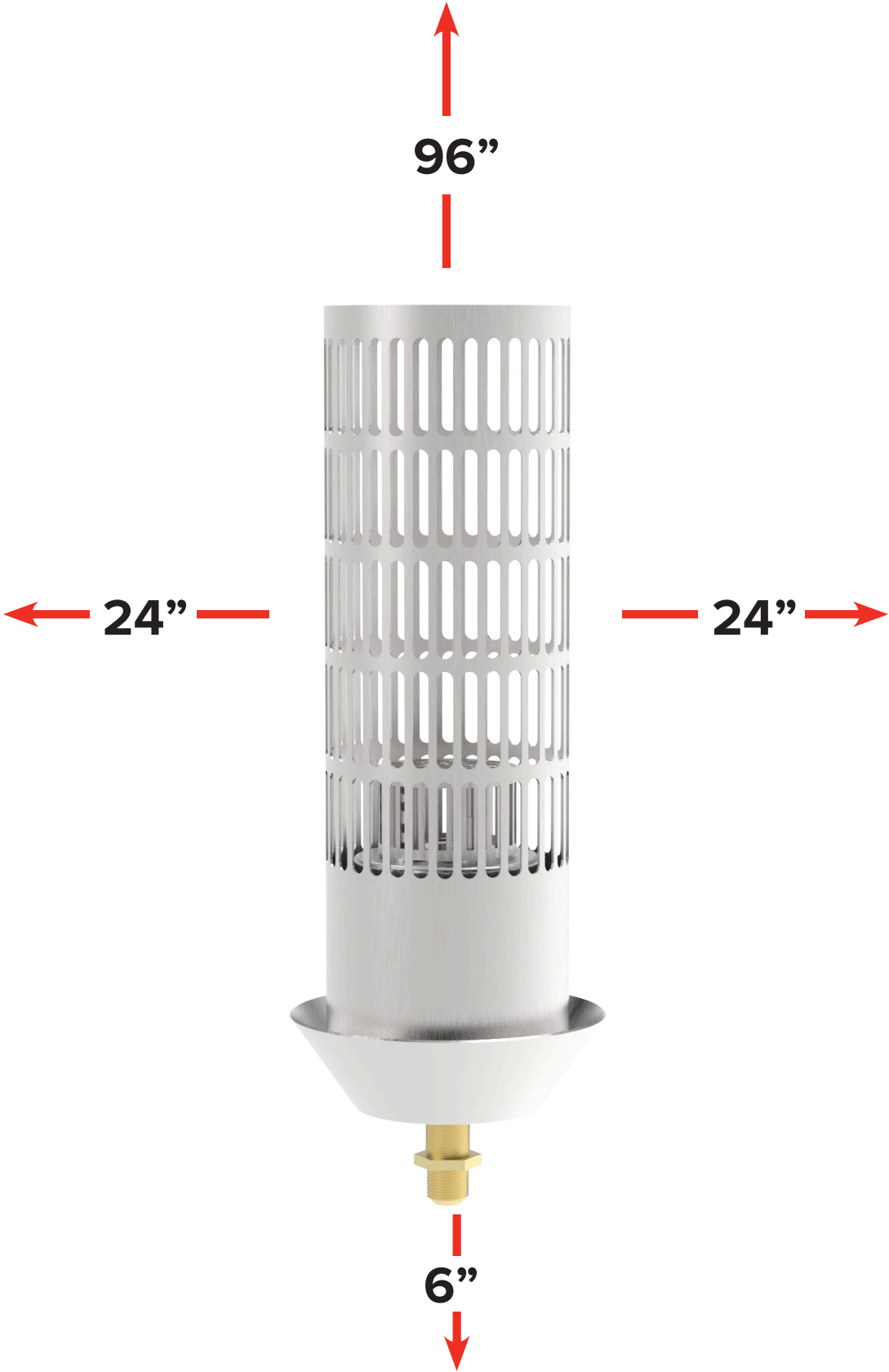
Flame Loss Recycle Delay: **None**

Non-Permanent Operation: **24 Hr Recycle**

# CLEARANCE FROM COMBUSTIBLES

## WARNING

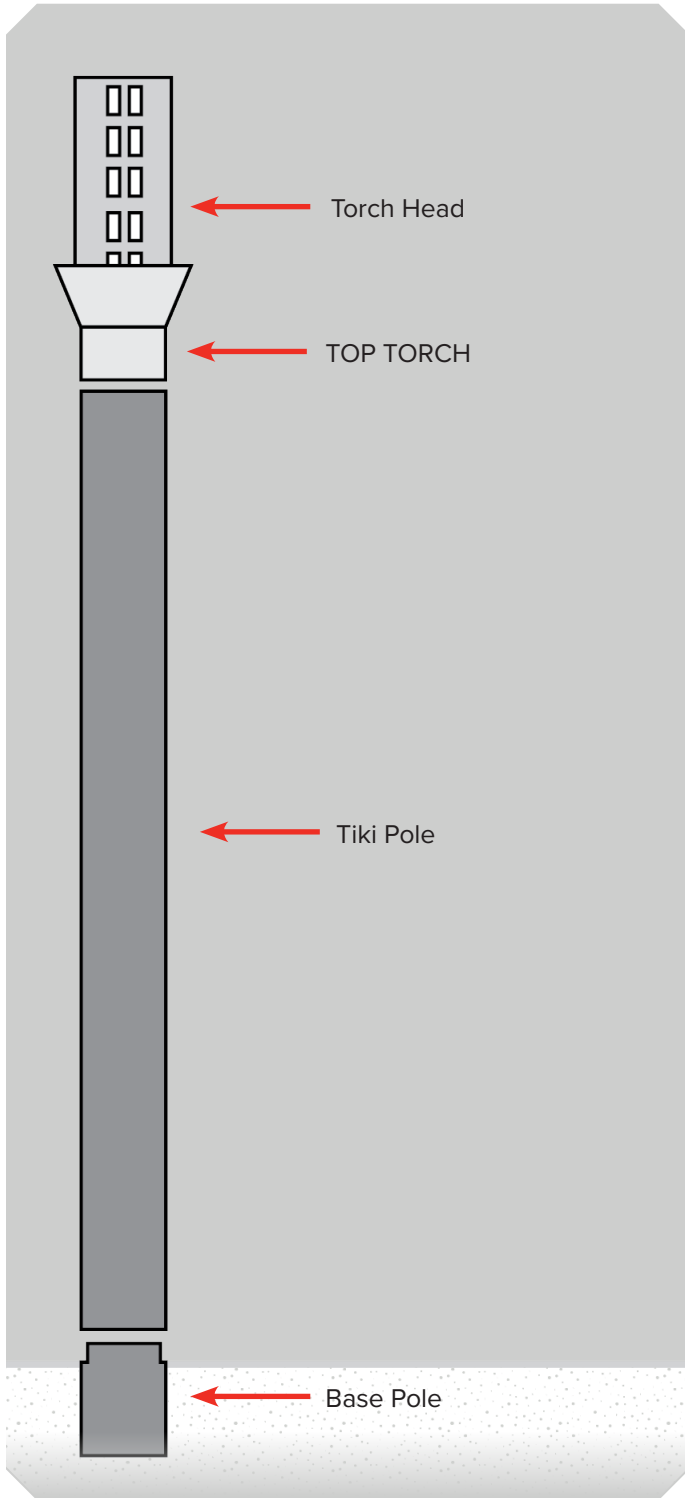
Provide Adequate Clearance from Combustibles as shown below



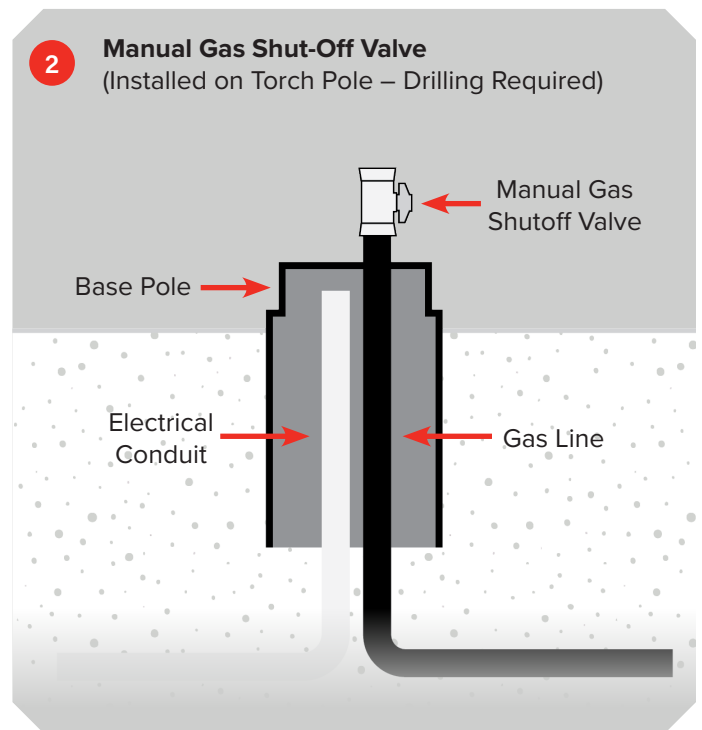
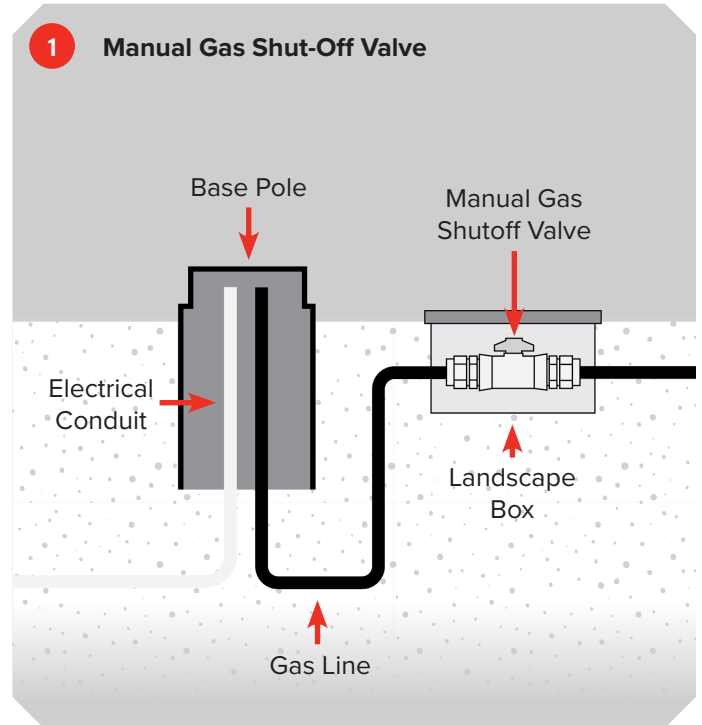
# TIKI TORCH ANATOMY

**Note:** Installation should be done by a qualified service technician that is locally licensed.

## TORCH BREAKDOWN



## SHUT OFF OPTIONS

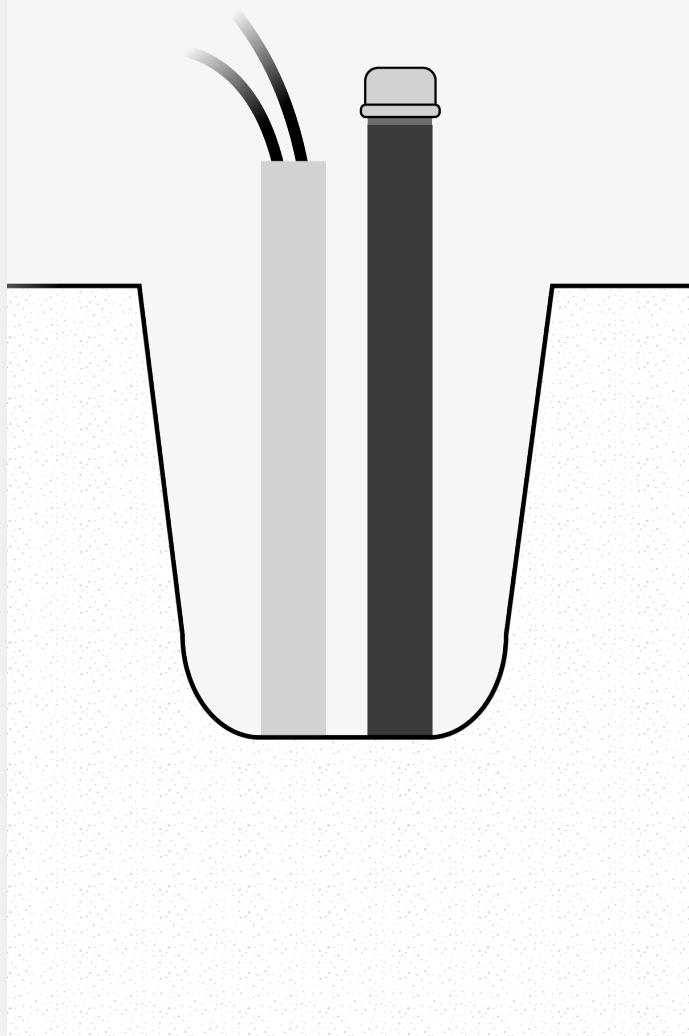


# BASE POLE INSTALLATION

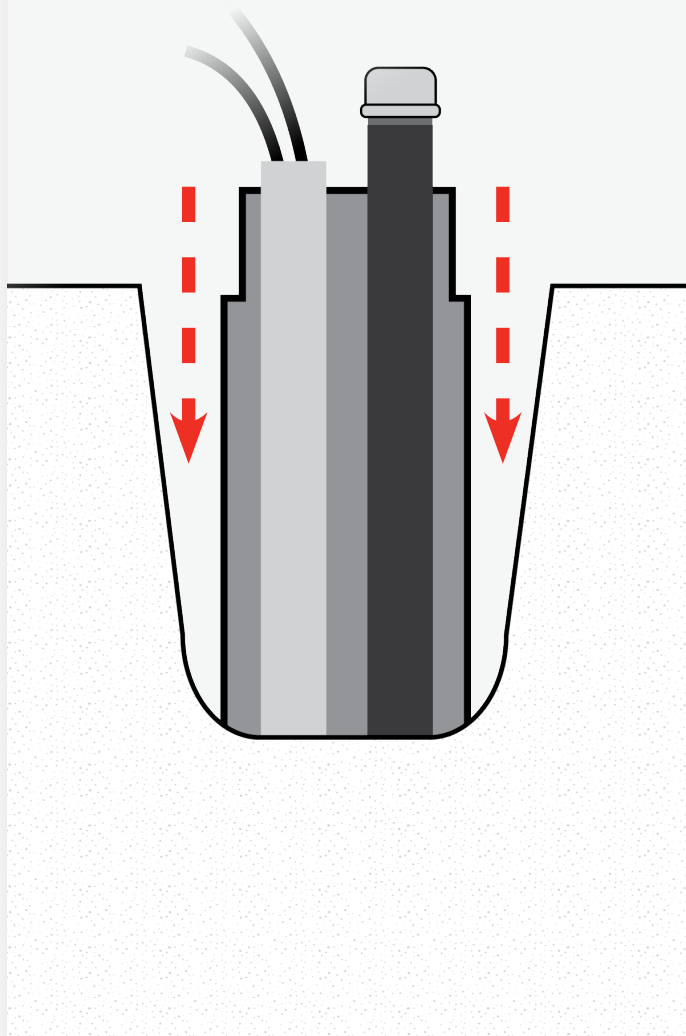
**Note:** Installation should be done by a qualified service technician that is locally licensed.

- 1** This shows a hole that's **12 inches deep**. Inside the hole, there's a **gas pipe (½" size)** and a plastic tube (called a **conduit**) for electrical wire.

We've already put a low-voltage wire (12-gauge wire) inside the conduit, and we left **8 feet of extra wire sticking out**. That way, there's plenty of wire to pull up through the Tiki Torch pole later on.



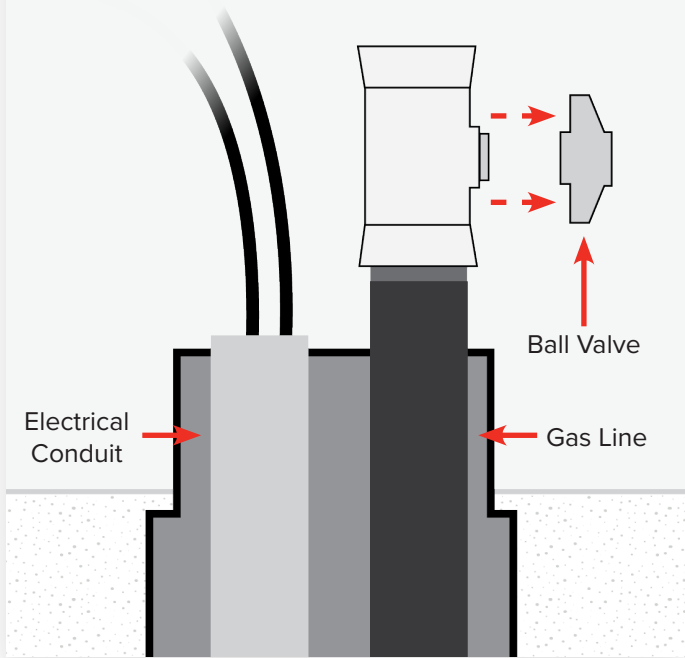
- 2** **Slide the Base Pole down** over the gas pipe and electrical conduit. Adjust it so the skinny, tapered end sticks out above the ground. This makes it easier to connect the Tiki Torch pole later.



# MANUAL GAS SHUTOFF INSTALLATION

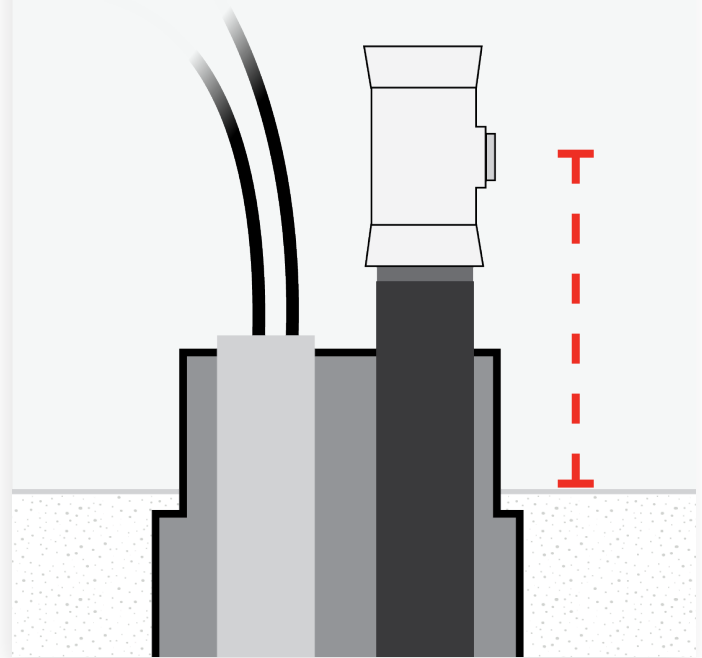
**Note:** Installation should be done by a qualified service technician that is locally licensed.

- 1** If you're using the Manual Gas Shutoff on the Tiki Pole, **start by removing** the handle from the **ball valve**. Next, install the ball valve onto the ½" gas riser.



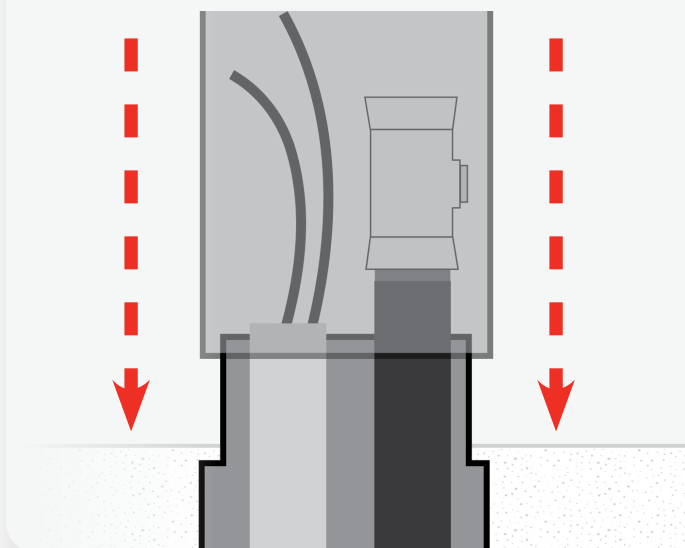
- 2** Measure from the center of the Manual Gas Shutoff to the top of the Base Pole.

Use to measurement to drill main tiki pole, ensuring the valve is perfectly positioned and accessible.



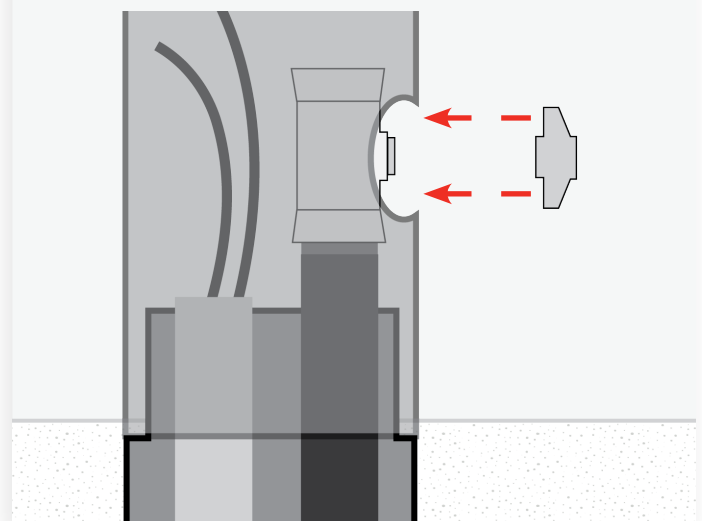
**Note:** We recommend using pipe dope or gas-rated Teflon tape on the threads to help prevent gas leaks.

- 3** Place the Tiki Pole over the Base Pole assembly. Use your measurement to mark the drill spot on the Tiki Pole



- 4** Measure from the center of the Manual Gas Shutoff to the top of the Base Pole.

Use to measurement to drill main tiki pole, ensuring the valve is perfectly positioned and accessible.



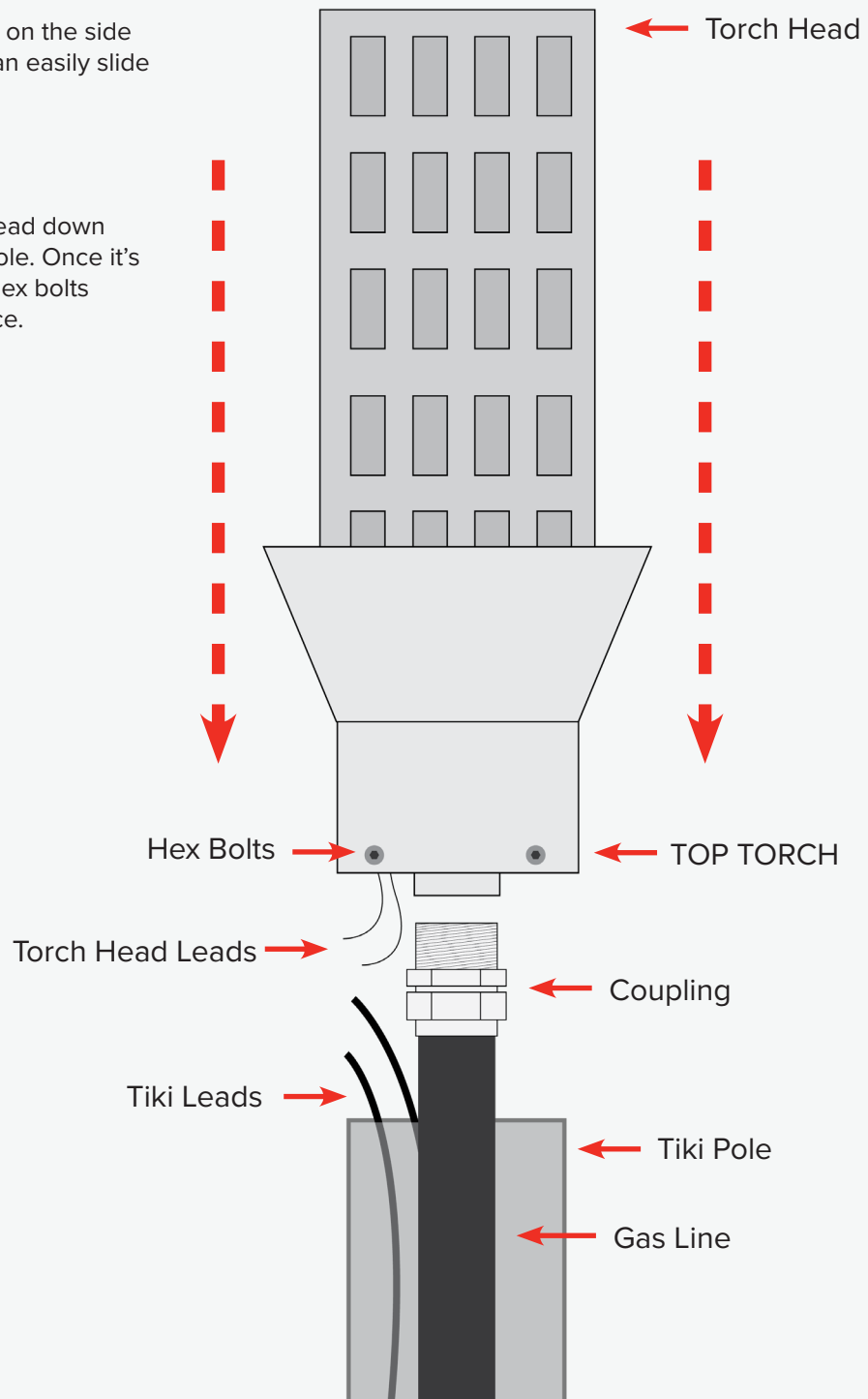
# TORCH HEAD INSTALLATION

**Note:** Installation should be done by a qualified service technician that is locally licensed.

**1** Connect the wires from the Torch Head to the wires coming from the pole. Secure each connection tightly with a wire nut.

**2** Loosen the two hex bolts on the side of the Torch Head so it can easily slide onto the pole.

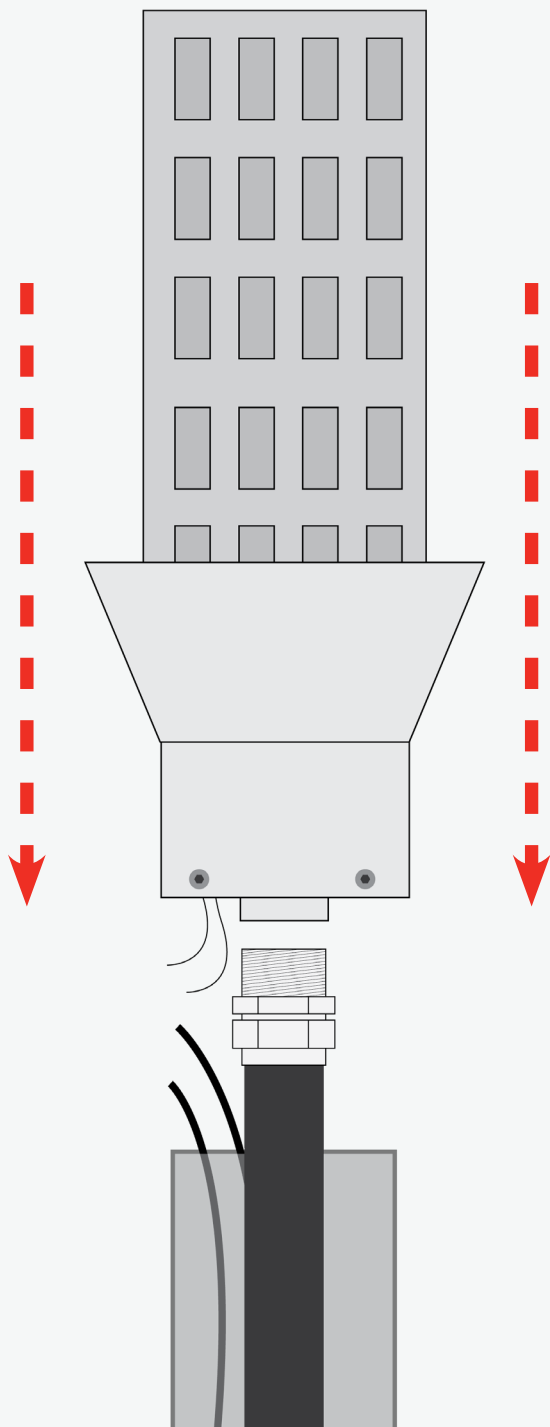
**3** Gently slide the Torch Head down onto the top of the Tiki Pole. Once it's fully seated, tighten the hex bolts evenly to secure it in place.



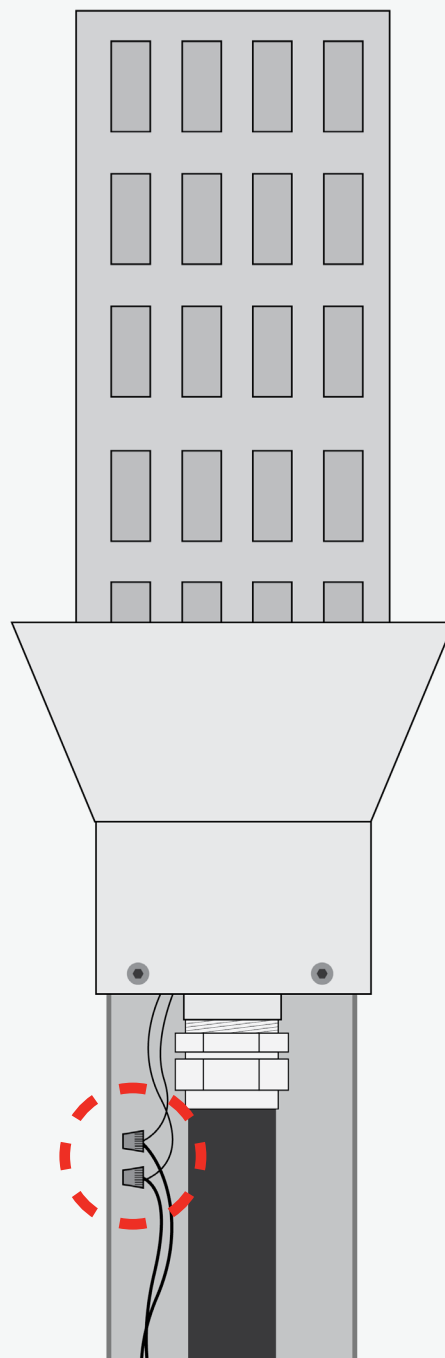
# TORCH HEAD INSTALLATION

**Note:** Installation should be done by a qualified service technician that is locally licensed.

- 1 Connect the wires from the Torch Head to the wires coming from the pole. Secure each connection tightly with a wire nut.
- 2 Loosen the two hex bolts on the side of the Torch Head so it can easily slide onto the pole.



- 3 Gently slide the Torch Head down onto the top of the Tiki Pole. Once it's fully seated, tighten the hex bolts evenly to secure it in place.



# OPERATION

## WARNING

Do NOT use this appliance if any part has been under water  
Immediately call a qualified service technician to inspect the appliance and to replace any part of the control system any gas control which has been under water.

## WARNING

HOT – DO NOT TOUCH - SEVERE BURNS MAY RESULT - CLOTHING IGNITION MAY RESULT

- CAREFULLY SUPERVISE children in same area as the appliance.
- Alert children and adults to hazards of high temperatures.
- Clothing or other flammable materials should not be hung from the appliance or placed on or near the appliance.

## FIRE FEATURE START UP

1. Before turning the unit on, always perform a quick visual inspection. Clear out any leaves or other combustible debris from inside the fire feature to prevent it from burning and emitting embers. Also, make sure everyone standing nearby is aware that you are about to light it.
2. Turn fire feature on by turning on the electrical device used to power the fire feature.

### Sequence of Operation during Ignition

- Power is applied
- Hot Surface Igniter (Glow Plug) becomes hot and 4 seconds later the Gas Valve opens
- Within 10 seconds of power application Flame should be visible (at night only)

## FIRE FEATURE SHUTDOWN

1. Turn fire feature off by turning off the electrical device used to power the fire feature.

## WARNING

If fire feature fails to turn off completely (small flames still visible) Turn off gas supply using the manual gas shutoff.

# MAINTENANCE

## WARNING

Maintenance should be done by a qualified service technician.  
The appliance should be inspected before use and at least annually by a qualified service technician.  
Ensure gas and power are shut off and appliance is cool before servicing.

### PRIOR TO EACH USE

Inspect for debris in fire feature - remove debris prior to use.

Periodically check the hose connecting the propane gas cylinder to ensure it is not cracked or damaged in any way. All natural gas hook-ups should be serviced and inspected only by qualified installers only.

Spiders and other insects can nest in the burners and block the gas and airflow to the burner. This creates a dangerous condition that can result in a fire from behind the valve panel. Inspect and clean the burners periodically.

Any guard or other protective device removed for servicing the appliance must be replaced prior to operating the appliance.

Inspect the fuel supply connection for signs of leakage (including the hose for propane models) before each use of the appliance.

Do not repair or replace any part of your Tiki Torch, Have a qualified technician perform all service. Any repairs made by a non-approved service technician will void your warranty.

### SEMI-ANNUALLY

1. Visually inspect Pilot Burner for debris/insect infestation (spider webs)
2. Visually inspect burner for debris/insect infestation
3. Clean either of the above as necessary using compressed air.

### ANNUALLY

1. Visually inspect Burner for excess corrosion due to heat and moisture.
2. Turn fire feature on to ensure proper operation.

# CLEANING

Inspect the appliance before initial use. Clean the appliance at least annually and have it inspected by a qualified field service person.

Periodically examine the burner. If the burner is dirty, clean it with a soft wire brush. Remove any dirt or debris in this area. This will ensure long life and trouble-free operation.

Before placing the cover on the Tiki Torch make sure the unit is shut off, that the gas lines are disconnected and that the unit has had sufficient time to cool.

More frequent cleaning may be required as necessary. It is imperative the control compartment, burner and circulation air passageways of the appliance be kept clean and free.

# TROUBLE SHOOTING

## I INSTALLED THE TORCH TURNED IT ON AND NOTHING HAPPENED

When this occurs it is usually due to an electrical wiring / power issue. Check all your electrical connections thoroughly to ensure all wires at the transformer and inside the fire feature are connected properly. If it appears all wiring is connected properly, disconnect the wires at the fire feature, attach a Multimeter to the wires to confirm a minimum of 12 volts when the fire feature is turned on. If you determine that you do not have a minimum of 12 volts at the fire feature conduct the same test at the transformer to ensure the transformer is in fact producing a minimum of 12 volts. If you do have a minimum of 12 volts at the fire feature contact us for further assistance.

## I INSTALLED THE TIKI TORCH, TURNED IT ON AND I CAN SEE THE GLOW PLUG GLOWING ORANGE AND I CAN HEAR GAS FLOWING BUT IT WILL NOT IGNITE

There are two possible causes to this problem; Air in the Gas Line or not enough Electrical Current to the fire feature.

**Air in the Gas Line** – If a new gas line was installed and the air was never purged from it prior to installing the Electronic Ignition System then it may take several times of turning the fire feature on and off before the air is purged from the gas line. Here is how our system works; after you turn it on the glow plug will come on first followed by the Pilot Gas Valve opening 4 seconds later. For the next 180 seconds (3 minutes) the glow plug will cycle on and off every 30 seconds while the Pilot Gas Valve will remain on the entire time. Therefore if you are attempting to purge air from the gas line, turn the system on and leave it on for approximately 3 minutes. Then turn it off and then back on (no need to wait to turn it back on). Let the system run for another 3 minutes. Usually when purging air from a new gas line you will need to cycle the power several times as described above before gas begins to flow. If at any point you smell gas but still don't have ignition, attempt to light the Pilot flame with a handheld lighter. If the flame ignites when you light it by hand, go to the section below, "Electrical Current".

**Electrical Current** – If you have determined that air in the gas line is not the problem then most likely the failure to ignite is due to the fact the glow plug is not getting hot enough to ignite the gas. The reason a glow plug will not get hot enough is due to the fact it is not getting enough 'amps'. Often times when troubleshooting electricians will check the electrical power and when they see they have a minimum of 12 volts they think everything is fine electrically so there must be a problem with the Electronic Ignition System. The problem is not due to the volts but rather the amps. The number of amps reaching the fire feature is heavily dependent on the gauge wire used between the transformer and the fire feature. Our Install Instructions require no less than 12 gauge wire be run for all fire features. Often times we learn that in many cases less than 12 gauge wire has been used and herein lies the cause of the problem.

Here is how you check to determine if enough Electrical Current (amps) are getting to the fire feature:

- 1. CAUTION:** Turn off the gas supply prior to the next step.
2. Using a clamp on ammeter, clamp the ammeter around one of the wires providing power to the

# REPLACEMENT PARTS

## Need a replacement part?

You can reach our sales team by emailing us at [sales@theoutdoorplus.com](mailto:sales@theoutdoorplus.com) or by calling (909) 460-5579.

# ONE YEAR LIMITED WARRANTY

This product is warranted to be free from defects in material and workmanship for one year from the date of purchase.

If a part proves to be defective under normal use, the part will be repaired or replaced. Our obligation under this warranty is to repair or replace defective parts at our discretion. If we determine that repair of a covered item is not feasible, we reserve the right to replace the defective merchandise with merchandise equal in value to the original purchase price. Warranty repair or replacement are the sole discretion of The Outdoor Plus and this warranty does not cover costs therein, including but not limited to: freight, removal, re-installation, etc. There will be no charge for parts on a covered item, however, cost of labor is the responsibility of the owner. Shipping and handling charges will apply to all warranted replacement parts. The service agent may assess a reasonable travel or mileage charge per service call.

This warranty is non-transferable.

Decorative stones and decorative glass are not covered by this warranty.

This warranty is void if the fire pit has been subject to negligence, alteration, misuse, repairs, dings, dents, scratches, or incorrect and / or prohibited applications as specified in the owner's manual. Natural gas lines must be installed by a licensed plumber only or local gas company agent.

For more information regarding the warranty please send any questions to [\*\*sales@theoutdoorplus.com\*\*](mailto:sales@theoutdoorplus.com).





**THE OUTDOOR PLUS**  
AMERICAN-MADE FIRE & WATER FEATURES

**The Outdoor Plus**

701 S Dupont Ave  
Ontario, CA 91761

[sales@theoutdoorplus.com](mailto:sales@theoutdoorplus.com)

(909) 460-5579